

AVTECH ELECTROSYSTEMS LTD.

NANOSECOND WAVEFORM ELECTRONICS
ENGINEERING - MANUFACTURING

□ P.O. BOX 265
OGDENSBURG
NEW YORK
13669
(315) 472-5270

✕ BOX 5120, STN. "F"
OTTAWA, ONTARIO
CANADA K2C 3H4
TEL: (613) 226-5772
FAX: (613) 226-2802

INSTRUCTIONS

MODEL AVO-6C-C-PN-F1 PULSE GENERATOR

S.N. :

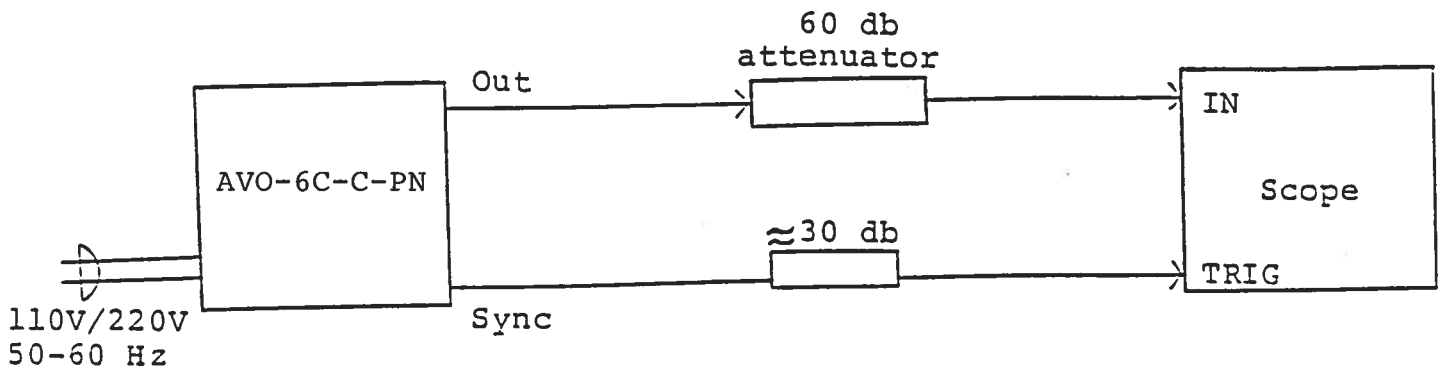
WARRANTY

Avtech Electrosystems Ltd. warrants products of its manufacture to be free from defects in material and workmanship under conditions of normal use. If, within one year after delivery to the original owner, and after prepaid return by the original owner, this Avtech product is found to be defective, Avtech shall at its option repair or replace said defective item. This warranty does not apply to units which have been disassembled, modified or subjected to conditions exceeding the applicable specifications or ratings. This warranty is the extent of the obligation or liability assumed by Avtech with respect to this product and no other warranty or guarantee is either expressed or implied.

Fig. 1

PULSE GENERATOR TEST ARRANGEMENT

(AVO-6C-T OUTPUT MODULE REMOVED)



Notes:

- 1) The bandwidth capability of components and instruments used to display the pulse generator output signal (attenuators, cables, connectors, etc.) should exceed 500 MHz.
- 2) The use of 60 db attenuator at the scope vertical input channel will insure a peak input signal to the scope of less than one volt (necessary only if sampling scope used). If a high impedance real time scope is used, the pulse generator should be terminated using a shunt 50 ohm resistor.
- 3) The sync output channel provides TTL level signals. To avoid overdriving the TRIG input channel of some scopes, a 30 db attenuator should be placed at the input to the scope trigger channel. The SYNC output precedes the main output when the front panel LEAD-LAG switch is in the LEAD position. The SYNC output lags the main output when the switch is in the LAG position.
- 4) The desired output polarity is selected by means of the front panel POLARITY switch.
- 5) To obtain a stable output display the PW and PRF controls on the front panel should be set mid range. The front panel TRIG toggle switch should be in the INT position. The DELAY controls and the scope triggering controls are then adjusted to obtain a stable output. The scope may then be used to set the desired PRF by rotating the PRF controls.
- 6) The output pulse widths for the positive and negative outputs are controlled by means of the front panel PW control. Note that due to the digital nature of the EW option, some pulse width jitter may be observed at certain settings of the PW pot. This jitter may be removed by setting the rear panel PW LOCK switch in the ON position. When in the ON position, the pulse becomes frozen and will not change (as the PW pot is adjusted) until the switch is placed in the OFF position.
- 7) The output pulse amplitudes for the positive and negative outputs are controlled by means of the front panel AMP control.
- 8) To voltage control the output pulse width, set the rear panel switch in the EXT position and apply 0 to +10V between terminal A and ground ($R_{IN} \geq 10K$). (option).
- 9) To voltage control the output amplitude, set the rear panel switch in the EXT position and apply 0 to +10V between terminal A and ground ($R_{IN} \geq 10K$). (option).

- 10) MONITOR Option. The rear panel M output port provides a coincident attenuated (x10) replica of the voltage pulse applied to the input of the AVO-6C-T module. The output voltage V_M (volts) and the diode current I_D (Amps) are related as follows:

$$I_D = \frac{10 V_M - V_F}{40}$$

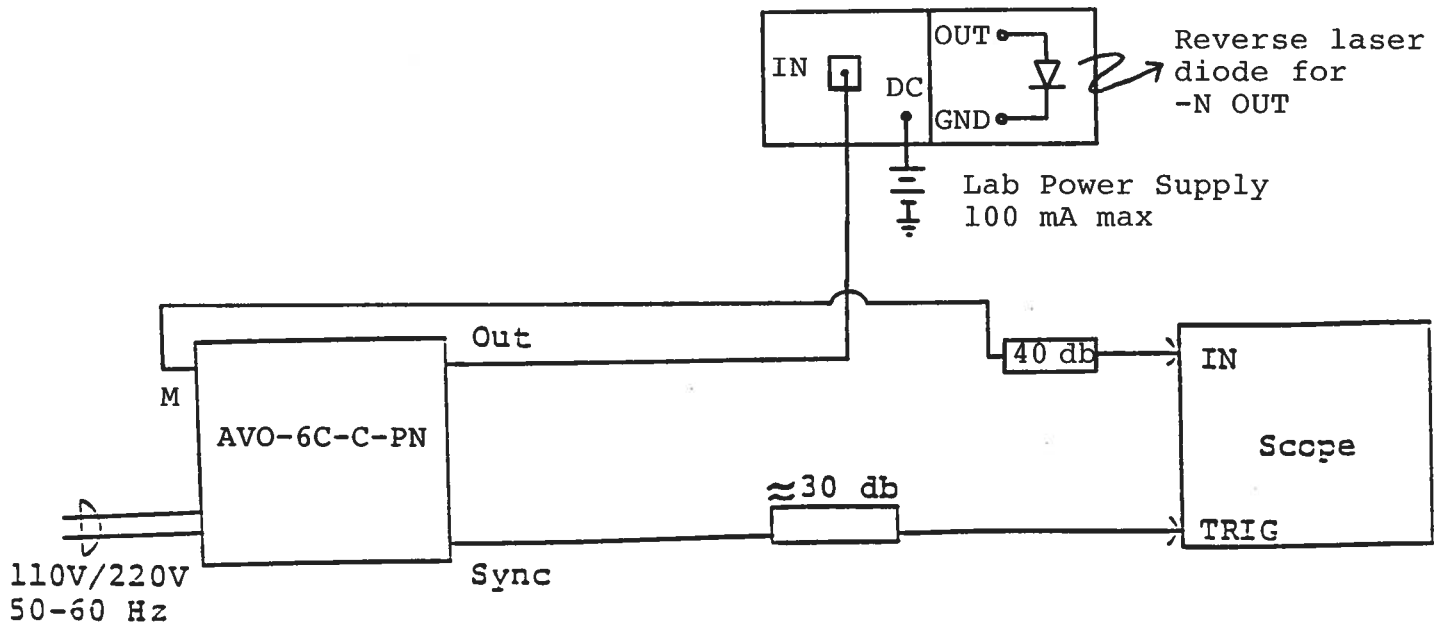
40

V_F = laser diode ON voltage, typically 2 volts.

- 11) CAUTION: The output duty cycle must not exceed 1%. For example, for pulse width of less than 1 us, the PRF may be as high as 10 KHz. However, for pulse width of 5 us, the PRF must not exceed 2 KHz.
- 12) AVR units with a serial number higher than 5600 are protected by an automatic overload protective circuit which controls the front panel overload light. If the unit is overloaded (by operating at an exceedingly high duty cycle or by operating into a short circuit), the protective circuit will turn the output of the instrument OFF and turn the indicator light ON. The light will stay ON (i.e. output OFF) for about 5 seconds after which the instrument will attempt to turn ON (i.e. light OFF) for about 1 second. If the overload condition persists, the instrument will turn OFF again (i.e. light ON) for another 5 seconds. If the overload condition has been removed, the instrument will turn on and resume normal operation. Overload conditions may be removed by:
- 1) Reducing PRF (i.e. switch to a lower range)
 - 2) Reducing pulse width (i.e. switch to a lower range)
 - 3) Removing output load short circuit (if any)
- 13) An external clock may be used to control the output PRF of the AVR unit by setting the front panel TRIG toggle switch in the EXT position and applying a 0.2 usec (approx.) TTL level pulse to the TRIG BNC connector input. For operation in this mode, the scope time base must also be triggered by the external clock rather than from the SYNC output.
- 14) The unit can be converted from 110 to 220V 50-60 Hz operation by adjusting the voltage selector card in the rear panel fused voltage selector-cable connector assembly.
- 15) For additional assistance, call (613) 226-5772 or Fax (613) 226-2802.

Fig. 2

PULSE GENERATOR TEST ARRANGEMENT
(AVO-6C-T OUTPUT MODULE CONNECTED)



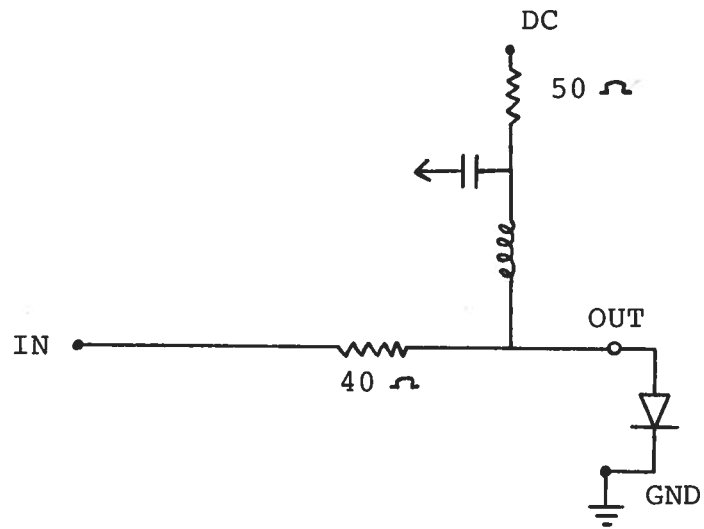
- 1) A general description of the AVD-6C-T module is given in Fig. 3.
- 2) The AVD-6C-T module should be connected to the AVD-6C-C mainframe via the supplied 24" RG174 cable.
- 3) The laser diode is solder-connected between the OUT and GND terminals on the side of the AVD-6C-T module.
- 4) The mainframe provides a voltage pulse of up to 210 volts to the 40 ohms in series with the laser diode in the AVD-6C-T module (to provide a maximum current of 5 Amperes).
- 5) A forward DC bias may be applied to the laser diode by connecting a DC potential of 0 to +5 volts to the DC solder terminal. The application of a small forward bias often yields a more ideal diode current waveform. Note that the DC port must be shorted to ground if a bias is not applied.
- 6) The M out port (on the mainframe) provides a voltage pulse (V_M) which is 0.1 of the amplitude of the voltage pulse applied to the input of the AVD-6C-T module. The voltage V_M (volts) and diode current I_D (Amps) are related as follows:

$$I_D = \frac{10 V_M - V_F}{40}$$

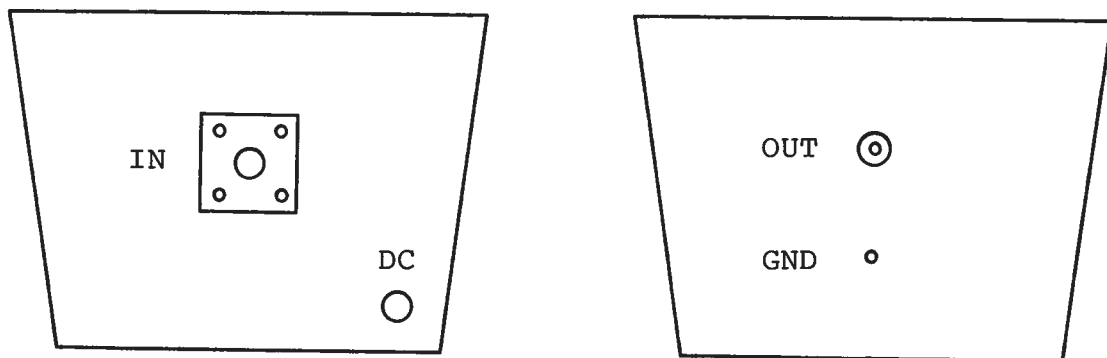
V_F = laser diode ON voltage, typically 2 volts.

Fig. 3

AVO-6C-T



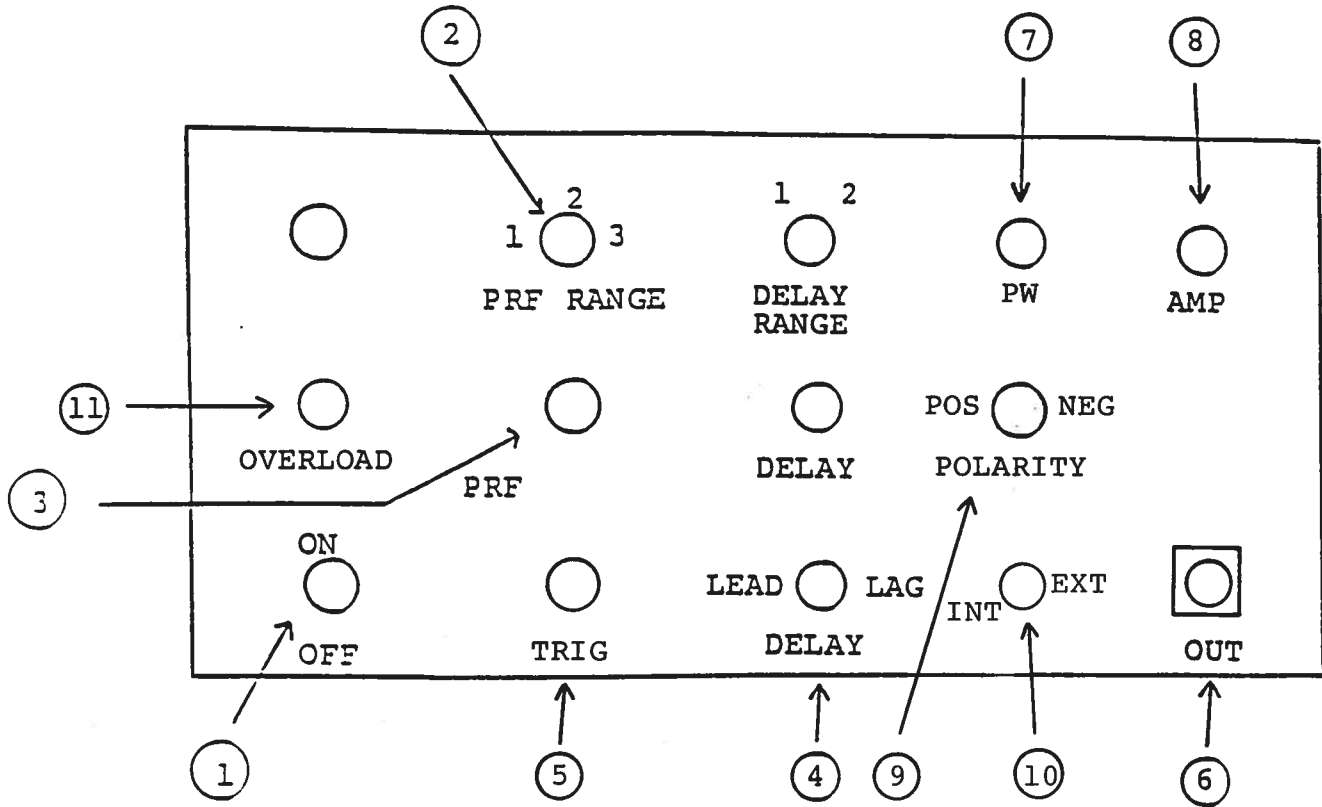
FUNCTIONAL EQUIVALENT CIRCUIT



PACKAGE

Fig. 2

FRONT PANEL CONTROLS



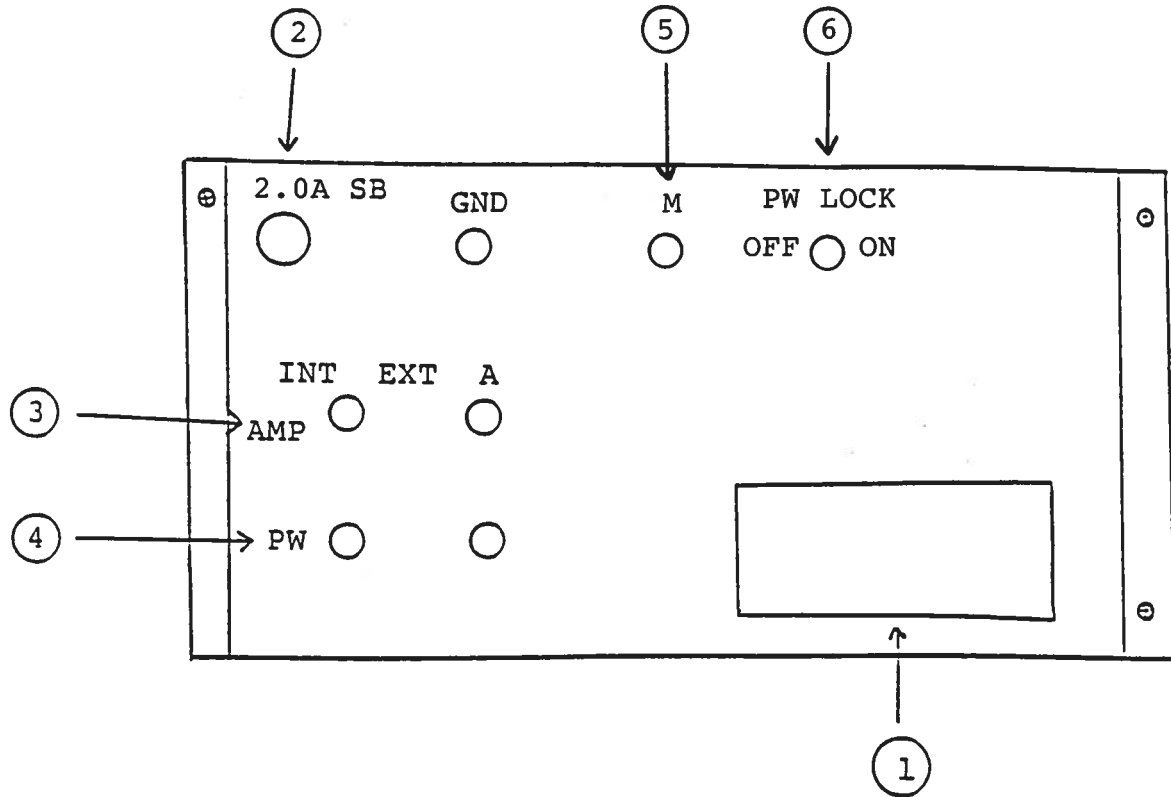
- (1) ON-OFF Switch. Applies basic prime power to all stages.
- (2) PRF Control. Varies PRF from 5 Hz to 5 KHz as follows:
- (3)
- | | | |
|---------|--------|-----------|
| Range 1 | 1 Hz | 10 Hz |
| Range 2 | 10 Hz | to 100 Hz |
| Range 3 | 100 Hz | to 1 KHz |
| Range 4 | 1 KHz | to 10 KHz |
- (4) DELAY Control. Controls the relative delay between the reference output pulse provided at the TRIG output (5) and the main output (6). This delay is variable over the range of 0 to about 1.0 usec (Range 1) or 1.0 to 5.0 usec (Range 2). The TRIG output precedes the main output when the LEAD-LAG switch is in the LEAD position and lags when the switch is in the LAG position.
- (5) TRIG Output. This output is used to trigger the scope time base. The output is a TTL level 100 nsec (approx.) pulse capable of driving a fifty ohm load.
- (6) OUT Connector. SMA connector provides output to AVD-6C-T module (200 volts to 40 ohms).
- (7) PW Control. A pot control which varies the output pulse width from 0.1 usec to 5 usec. **CAUTION:** The output duty cycle must not exceed 1%. For example, for pulse width of less than 1 us, the PRF may be as high as 10 KHz. However, for pulse width of 5 us, the PRF must not exceed 2 KHz.
- (8) AMP Control. A pot control which varies the output pulse amplitude from 0 to 200 V to a 40 ohm load.
- (9) POLARITY Control. Controls polarity of output pulse.
- (10) EXT-INT Control. With this toggle switch in the INT position, the PRF of the AVD unit is controlled via an internal clock which in turn is controlled by the PRF controls. With the toggle switch in the EXT position, the AVD unit requires a 0.2 usec TTL level pulse applied at the TRIG input in order to trigger the output stages. In addition, in this mode, the scope time base must be triggered by the external trigger source.
- (11) OVERLOAD INDICATOR. AVD units with a serial number higher than 5600 are protected by an automatic overload protective circuit which controls the front panel overload light. If the unit is overloaded (by operating at an exceedingly high duty cycle or by operating into a short circuit), the protective circuit will turn the output of the instrument OFF and turn the indicator light ON. The light will stay ON (i.e. output OFF) for about 5 seconds after which the instrument will attempt

to turn ON (i.e. light OFF) for about 1 second. If the overload condition persists, the instrument will turn OFF again (i.e. light ON) for another 5 seconds. If the overload condition has been removed, the instrument will turn on and resume normal operation. Overload conditions may be removed by:

- 1) Reducing PRF (i.e. switch to a lower range)
- 2) Reducing pulse width (i.e. switch to a lower range)
- 3) Removing output load short circuit (if any)

Fig. 4

BACK PANEL CONTROLS



- (1) FUSED CONNECTOR, VOLTAGE SELECTOR. The detachable power cord is connected at this point. In addition, the removable cord is adjusted to select the desired input operating voltage. The unit also contains the main power fuse (0.5 A SB).
- (2) 2.0A SB. Fuse which protects the output stage if the output duty cycle rating is exceeded.
- (3) EA. To voltage control the output amplitude, set the switch in the EXT position and apply 0 to +10 volts between terminal A and ground ($R_{IN} \geq 10K$). (option).
- (4) EW. To voltage control the output pulse width, set the switch in the EXT position and apply 0 to +10 volts between terminal A and ground ($R_{IN} \geq 10K$). (option).
- (5) MONITOR Option. The M output provides a coincident attenuated (x10) replica of the voltage pulse applied to the input of the AVO-6C-T module. The output voltage V_M (volts) and the diode current I_D (Amps) are related as follows:

$$I_D = 10 V_M - V_F$$

40

V_F = laser diode ON voltage, typically 2 volts.

- (6) PW Lock. Due to the digital nature of the EW option, some pulse width jitter may be observed at certain settings of the PW pot. This jitter may be removed by setting the rear panel PW LOCK switch in the ON position. When in the ON position, the pulse becomes frozen and will not change (as the PW pot is adjusted) until the switch is placed in the OFF position.

SYSTEM DESCRIPTION AND REPAIR PROCEDURE

The AVO-6C-C-PN-F1 consists of the following basic modules:

- 1) AVO-6C-PG pulse generator modules (-P and -N)
- 2) AVO-CL2 clock module
- 3) +24V power supply board
- 4) AVO-PS-15 power supply module (2)
- 5) AVO-OL overload module
- 6) AVO-TRF-P rise time module
- 7) AVO-TRF-N rise time module
- 8) AVO-PW pulse width control module
- 9) AVO-6C-T output module

The modules are interconnected as shown in Fig. 5. The clock module controls the output PRF and the relative delay between the main output and the SYNC outputs. The PG pulse generator modules generate the output pulse. In the event of an instrument malfunction, it is most likely that the rear panel 2.0A SB fuse or some of the output switching elements (SL4) may have failed due to an output short circuit condition or to a high duty cycle condition. The switching elements may be accessed by removing the cover plate on the bottom side of the instrument. NOTE: First turn off the prime power. The elements may be removed from their sockets by means of a needle nosed pliers. The SL4 is a selected VMOS power transistor in a TO 220 packages and may be checked on a curve tracer. If defective, replacement units should be ordered directly from Avtech. When replacing the SL4 switching elements, take care to insure that the short lead (of the three leads) is adjacent to the black dot on the chassis. If the switching elements are not defective, then the four Phillips screws on the back panel should be removed. The top cover may then be slid off and operation of the clock and power supply modules should be checked. The clock module is functioning properly if:

- a) 0.1 usec TTL level outputs are observed at pins 2 and 3.
- b) The PRF of the outputs can be varied over the range of 1 Hz to 10 KHz using the PRF controls.
- c) The relative delay between the pin 2 and 3 outputs can be varied by at least 5 usec by the DELAY controls.

The sealed clock module must be returned to Avtech for repair or replacement if the above conditions are not observed. The power supply board generates +24V DC to power the other modules. If the voltage is less than +24V, turn off the prime power and unsolder the lead from the 7824 regulator chip on the power supply board. Solder a 100 ohm 5 watt resistor to the 7824 output to ground and turn on the prime power. A voltage of +24 volts should be read. If the voltage is less then the power supply board is defective and should be repaired or replaced.

Schroff

09.25.91

- EW

- EA

- M

- OS

- PWT

- AT