



AVTECH ELECTROSYSTEMS LTD.

NANOSECOND WAVEFORM ELECTRONICS
SINCE 1975

P.O. BOX 265
OGDENSBURG, NY
U.S.A. 13669-0265
TEL: (315) 472-5270
FAX: (613) 226-2802

TEL: 1-800-265-6681
FAX: 1-800-561-1970
U.S.A. & CANADA
e-mail: info@avtechpulse.com

BOX 5120 STN. F
OTTAWA, ONTARIO
CANADA K2C 3H4
TEL: (613) 226-5772
FAX: (613) 226-2802

INSTRUCTIONS

MODEL AVO-9B-ECO-A-M-N PULSE GENERATOR

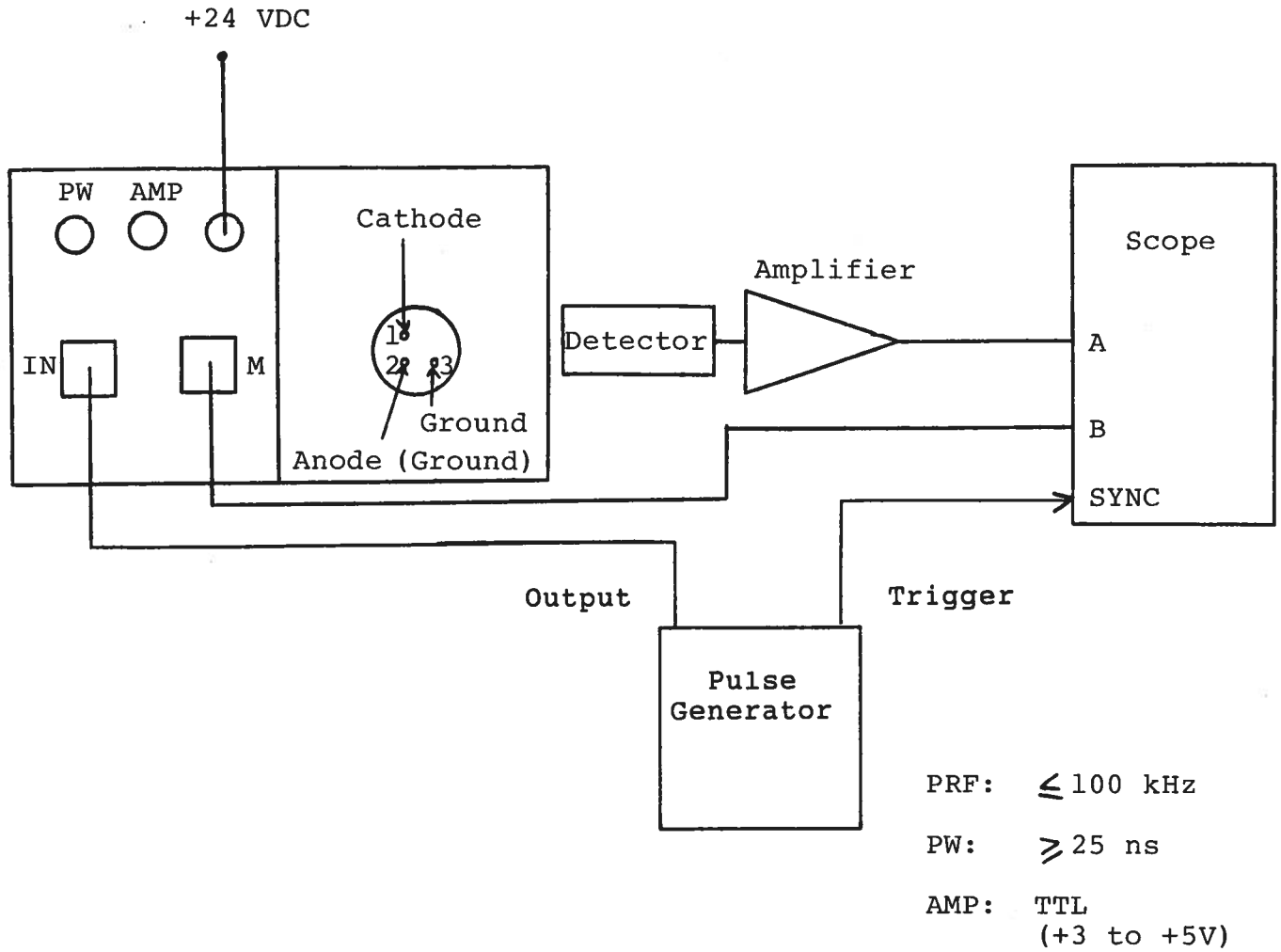
S.N.:

WARRANTY

Avtech Electrosystems Ltd. warrants products of its manufacture to be free from defects in material and workmanship under conditions of normal use. If, within one year after delivery to the original owner, and after prepaid return by the original owner, this Avtech product is found to be defective, Avtech shall at its option repair or replace said defective item. This warranty does not apply to units which have been disassembled, modified or subjected to conditions exceeding the applicable specifications or ratings. This warranty is the extent of the obligation or liability assumed by Avtech with respect to this product and no other warranty or guarantee is either expressed or implied.

Fig. 1

MODEL AVO-9B-EOA-M-N PULSE GENERATOR TEST ARRANGEMENT



Notes:

- 1) The bandwidth capability of components and instruments used to display the pulse generator output signal (probes, cables, connectors, etc.) should exceed 100 MHz.
- 2) WARNING: Model AVO-9B may fail if triggered at a PRF greater than 100 kHz or if an incorrect trigger signal is applied.
- 3) The unit requires a +24 VDC Volt (300 mA) external power supply.
- 4) The cathode of the emitter should be inserted into PIN socket #1 while the anode should be inserted into PIN socket #2 (which is grounded as is PIN socket #3).
- 5) The output amplitude and pulse width are both controlled by one turn controls.
- 6) Monitor Option. SMA connector provides a coincident replica of the output pulse. For $R_L \geq 1K$.

$$I_{LOAD} = 50 V_M \text{ (Volts, mA)}$$

$$\text{For } R_L = 50 \text{ Ohm}$$

$$I_{LOAD} = 100 V_M \text{ (Volts, mA)}$$

V_M is the monitor output voltage, amplitude is determined using a scope.

- 7) For additional assistance:

Tel: (613) 226-5772

Fax: (613) 226-2802



AVTECH ELECTROSYSTEMS LTD.

NANOSECOND WAVEFORM ELECTRONICS
SINCE 1975

P.O. BOX 265
OGDENSBURG, NY
U.S.A. 13669-0265
TEL: (315) 472-5270
FAX: (613) 226-2802

TEL: 1-800-265-6681
FAX: 1-800-561-1970
U.S.A. & CANADA

BOX 5120 STN. F
OTTAWA, ONTARIO
CANADA K2C 3H4
TEL: (613) 226-5772
FAX: (613) 226-2802

e-mail: info@avtechpulse.com

April 13, 1995.

Mike Ransford
ECO
1356 Cape St. Claire Road
Annapolis, MD 21401

Tel: 410-757-3245
Fax: 410-757-8265

Dear Mike:

Following our telephone conversation of April 7th, I am pleased to enclose the following literature:

- 1) General Catalog No. 9
- 2) Price list

In addition, I am pleased to provide a price and delivery quotation for a special purpose LED driver meeting the following specifications:

Model designation:	AVO-9B-ECO.
Output amplitude:	0 to 100 mA, controlled by a front panel one turn control.
Output pulse width:	30 to 300 ns, controlled by a front panel one turn control.
PRF:	0 to 100 kHz, controlled by input trigger PRF.
Rise, fall time:	≤ 10 ns.
Input trigger:	TTL, PW ≥ 25 ns.
Prime power:	+24 VDC, 250 mA.

.../2

Chassis size: 1.7 x 2.6 x 4.3".

Chassis material: Cast aluminum, blue enamel.

Diode mounting: Plug in socket for diode on one 1.7" x 2.6" end of chassis. We will require a drawing of the diode package.

Controls and connectors: The pulse width control, amplitude control, input trigger SMA connector and DC power input solder terminals are located on the 1.7" x 2.6" surface opposite to the diode socket.

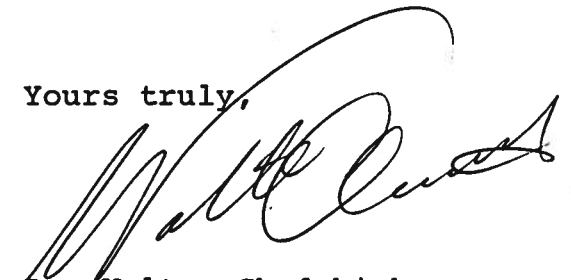
Price: \$998.00 US each, FOB destination.

Delivery: 30-45 days.

Option recommended: -M current monitor option. Provides a calibrated output voltage pulse having an amplitude proportional to the diode current pulse. Output voltage pulse width is equal to diode current pulse width. To specify, add the suffix -M to the model number and add \$198.00 US to the price.

Thank you for your interest in our products. Please call me again (1-800-265-6681) if you require any additional information or modifications to the above quotation.

Yours truly,



Dr. Walter Chudobiak
Chief Engineer

WC:pr
Encl.

Dec. 22/95

-M

Disk: AVO-9

Name: 9BECOAMN.INS