

AVTECH ELECTROSYSTEMS LTD.

NANOSECOND WAVEFORM ELECTRONICS
ENGINEERING - MANUFACTURING

□ P.O. BOX 265
OGDENSBURG
NEW YORK
13669
(315) 472-5270

☒ BOX 5120, STN. "F"
OTTAWA, ONTARIO
CANADA K2C 3H4
TEL: (613) 226-5772
FAX: (613) 226-2802
TELEX: 053-4591

INSTRUCTIONS

MODEL AV0-9E-C-TRF-MI-MV PULSE GENERATOR

S.N.:

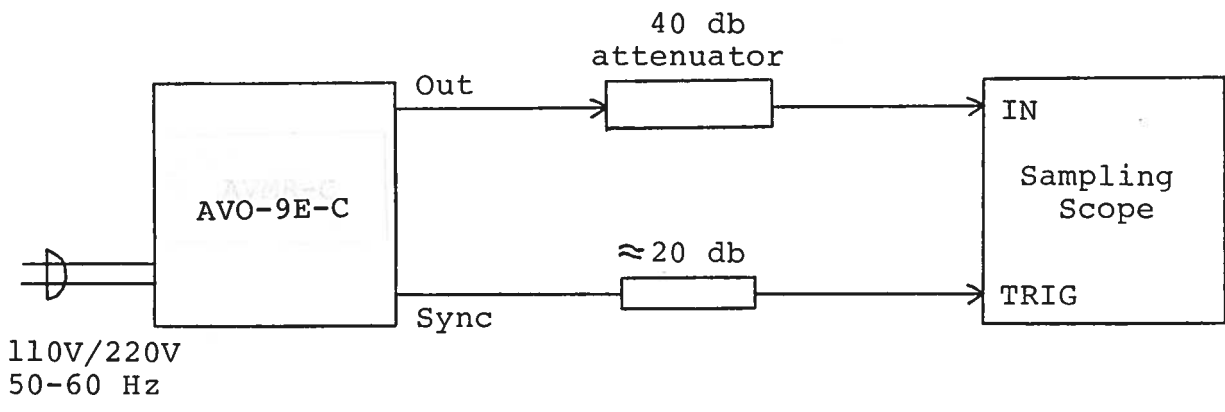
WARRANTY

Avtech Electrosystems Ltd. warrants products of its manufacture to be free from defects in material and workmanship under conditions of normal use. If, within one year after delivery to the original owner, and after prepaid return by the original owner, this Avtech product is found to be defective, Avtech shall at its option repair or replace said defective item. This warranty does not apply to units which have been disassembled, modified or subjected to conditions exceeding the applicable specifications or ratings. This warranty is the extent of the obligation or liability assumed by Avtech with respect to this product and no other warranty or guarantee is either expressed or implied.

Fig. 1

PULSE GENERATOR TEST ARRANGEMENT

(AVX-S1 MODULE DISCONNECTED)



Notes:

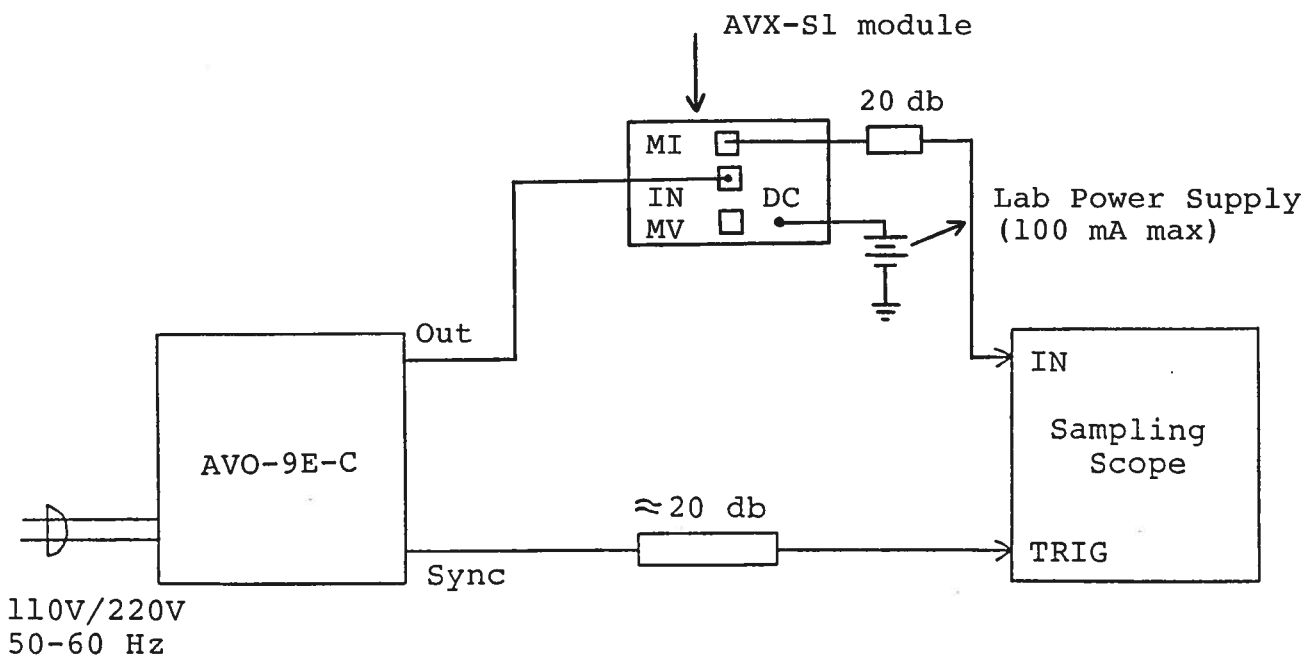
- 1) The bandwidth capability of components and instruments used to display the pulse generator output signal (attenuators, cables, connectors, etc.) should exceed one gigahertz.
- 2) The use of 40 db attenuator at the sampling scope vertical input channel will insure a peak input signal to the sampling scope of less than one volt.
- 3) The sync output channel provides a +0.5 V pulse. To avoid overdriving the TRIG input channel of some sampling scopes, a 20 db attenuator should be placed at the input to the sampling scope trigger channel.
- 4) To obtain a stable output display the PRF and PRF FINE controls on the front panel should be set mid-range while the PRF range switch may be in either range. The front panel TRIG toggle switch should be in the INT position. The front panel DELAY control and the scope triggering controls are then adjusted to obtain a stable output. It is recommended that the DELAY control first be set max counter clockwise and then turned clockwise until a stable display is obtained. The scope may then be used to set the desired PRF by rotating the PRF and PRF FINE controls and by means of the PRF range switch.
- 5) The output pulse width is controlled by means of the front panel one turn PW control. The control should initially be set maximum counter clockwise and the pulse width adjusted using an oscilloscope.
- 6) To voltage control the output pulse width, remove the jumper wire between banana plugs A and B on the back panel and apply 0 to +10V to connector B ($R_{IN} \geq 10K$). (EW option).
- 7) The output pulse amplitude is controlled by means of the front panel one turn AMP control.
- 8) To voltage control the output amplitude, remove the jumper wire between banana plugs A and B on the back panel and apply 0 to +10V to connector B ($R_{IN} \geq 10K$). (EA option).
- 9) An external clock may be used to control the output PRF of the AVO-9E unit by setting the front panel TRIG toggle switch in the EXT position and applying a 50 nsec, or under, TTL level pulse to the TRIG BNC connector input. For operation in this mode, the scope time base must also be triggered by the external clock rather than from the SYNC output.

- 10) WARNING: Model AVO-9E-C may fail if triggered at a PRF greater than 10.0 MHz or at a duty cycle exceeding 20%.
- 11) Dual Polarity Option. To invert the output of the AVO-9E unit, connect the IN PORT of the AVX-3 unit to the OUT port of the AVO-9E mainframe. An inverted pulse is then obtained at the OUT port of the AVX-3 unit.
- 12) The rise and fall time are switched from the high to low range by means of the TR and TF two position switches. (TRF option).
- 13) The monitor output (-M) provides a 20 db attenuated coincident replica of the main output. (option).
- 14) The AVO-9E-C unit can be converted from 110 to 220V 50-60 Hz operation by adjusting the voltage selector card in the rear panel fused voltage selector-cable connector assembly.

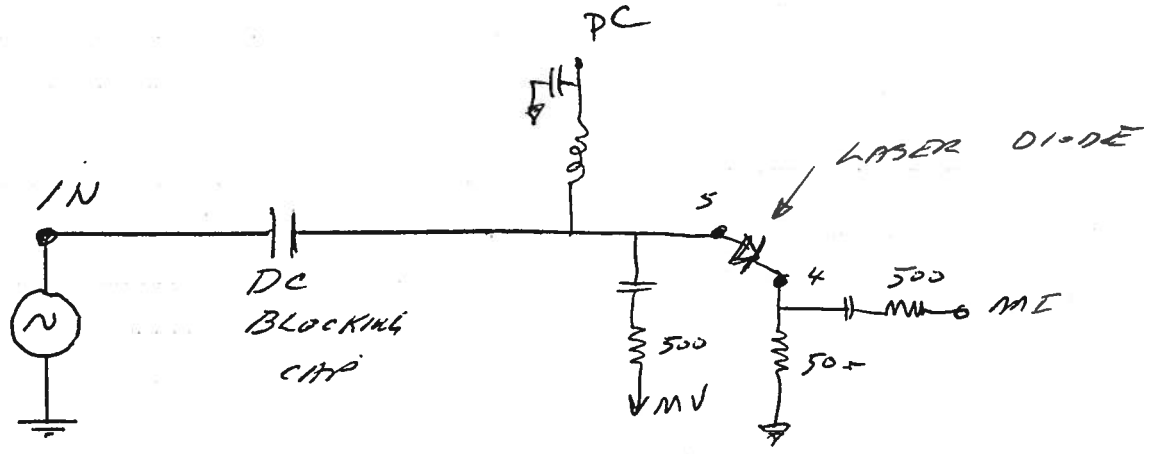
Fig. 2

PULSE GENERATOR TEST ARRANGEMENT

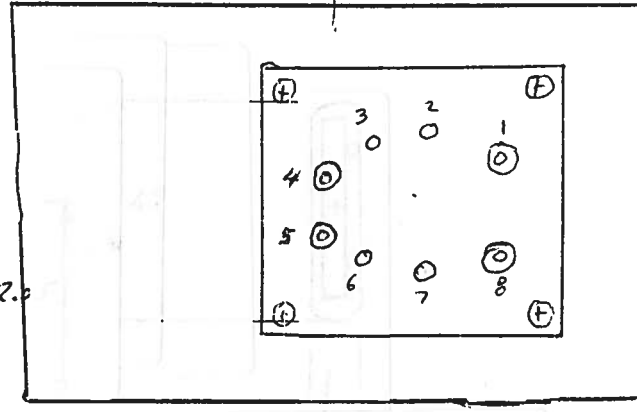
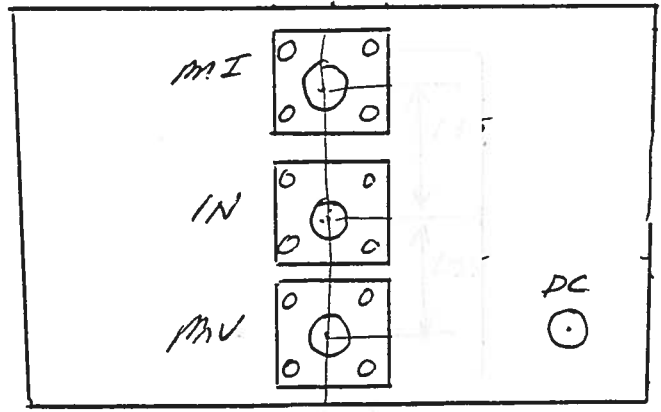
(AVX-S1 MODULE CONNECTED)



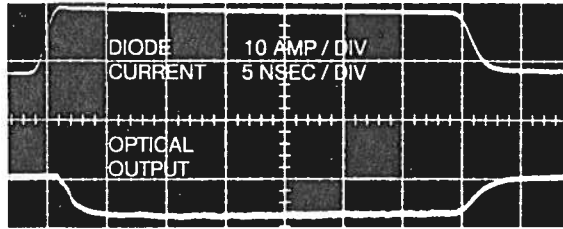
ARR-51 (SBFP MD-9E)



FUNCTIONAL EQUIV. CCT.



PACKAGE



The AVX-S series of bias insertion units is designed for applying pulse or RF CW signals and DC bias to laser diodes which insert into a high quality socket included on the mount. The bias insertion module includes the necessary networks to match the laser diode to the pulse or RF source as well as networks for applying DC bias to the diode. Optional outputs allow for monitoring of the laser diode current, voltage and a photo detector diode output. Readily available socket configurations (TO-18, TO-5, TO-3, OP-3) are shown on the following page. Note that the laser diodes are not supplied with the AVX-S series.

The AVX-S series includes 3 basic models namely the AVX-S1, AVX-S2 and the AVX-S3. The basic functional equivalent circuit for the three models are shown below. Model AVX-S1 is specifically designed for ultra high-speed, low current applications (rise times as low as 200 psec, bandwidths to 1 GHz, $I < 1.0$ ampere). Model AVX-S1 is employed in the AVO-9-C series of diode drivers. Model AVX-S2 is intended for application with rise times greater than 2 nsec and currents above 1 ampere. Model AVX-S3 is specifically designed for use with the AVO-2 and AVO-5 series pulse generators (which provide currents in the range of 5 to 50 amperes).

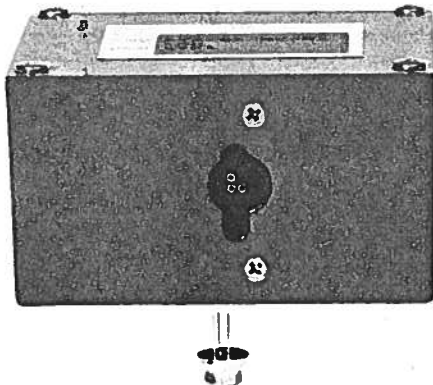
The input series blocking capacitor in Models AVX-S1 and AVX-S2 presents a low impedance to RF CW signals and to baseband pulses while the shunt indicator presents a high impedance to RF (or pulse) signals but an extremely low impedance to the DC bias. The resistor in series with the laser diode is selected to insure that the impedance at the IN port is 50 ohms. Normally a laser diode resistance of 3 ohms is assumed.

The optional diode current monitor (M_I) provides an output waveform (to 50 ohms) which is an attenuated replica of the laser diode current. The output amplitude (V_{MI} , volts) and diode current (I_D , Amps) are related as follows:

$$\text{-S1: } I_D = 0.2V_{MI} \quad \text{-S2: } I_D = V_{MI}$$

The optional diode voltage monitor (MV) provides an output waveform that may be related to the voltage across the laser diode (V_D , volts) as follows:

$$\text{-S1: } V_D = 10(V_{MV} - V_{MI}) \quad \text{-S2: } V_D = 10V_{MV}$$



- Socket mounting of laser diodes
- Peak currents from 100 mA to 40 Amps
- Pulse widths from 0.4 to 200 nsec
- Rise times from 0.2 to 2.0 nsec
- Pulse or CW RF
- Diode current and voltage monitor options

Model AVX-S3 is available in four different versions (AVX-S3A, AVX-S3B, AVX-S3C and AVX-S3D) all of which include a matching transformer which effectively boosts the laser diode current beyond that provided by the pulse source.

Model AVX-S3A is designed to match 50 ohm pulse generators such as Model AVO-2-C to 12 ohm loads with peak currents of 5 amperes. Consequently, the resistor R_S in the equivalent circuit for this model is 12 ohm. This resistor is accessible in all AVX-S3 models and may be changed by the user (by desoldering). The series resistance of the laser diode and the resistor R_S must equal the pulse generator source impedance divided by N^2 . Consequently, if the series resistance of the laser diode is relatively high, it then may be necessary to reduce the value of R_S . Model AVX-S3B is designed to match 50 ohm pulse generators such as Model AVO-5-C to 3 ohms and will provide peak diode currents up to 28 amperes. Model AVX-S3C is designed to match Models AVO-2W-C and AVO-2-C (25 ohm source impedance) to load resistance of about 5 ohms and will provide peak diode currents as high as 10 amperes. Model AVX-S3D is designed for use with Model AVO-5B-C and will provide up to 48 amperes of diode current.

Two optional SMA output connectors provide attenuated coincident replicas of the diode current (-MI option) and diode voltage (-MV option) as per the following relationships (Amps, Volts):

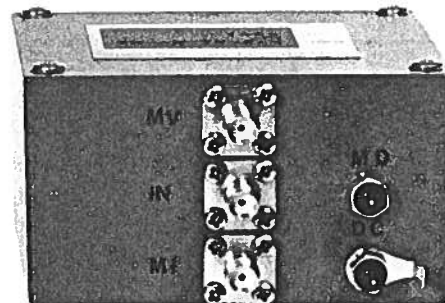
$$I_D = \frac{10 V_{MI}}{R_S} \quad V_D = 10(V_{MV} - V_{MI})$$

All AVX-S3 units include two foot long input cables with SMA male connectors.

When ordering members of the AVX-S family, the customer must specify the basic model number (eg. AVX-S1) and the following additional information.

- Diode package type (eg. TO-18) and the required pin connections (eg. anode, cathode, ground etc). See the following page for readily available package mounting. Contact Avtech for special or different packages.
- Desired options (eg. -MI, -MV, -MD).

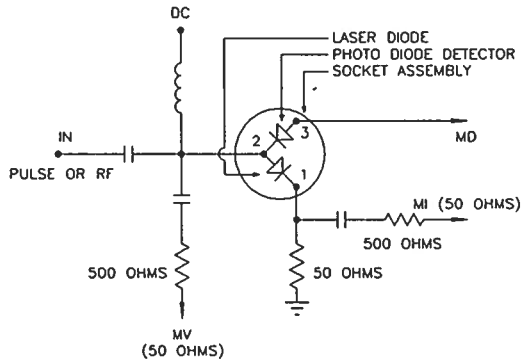
Contact Avtech for your special requirements.



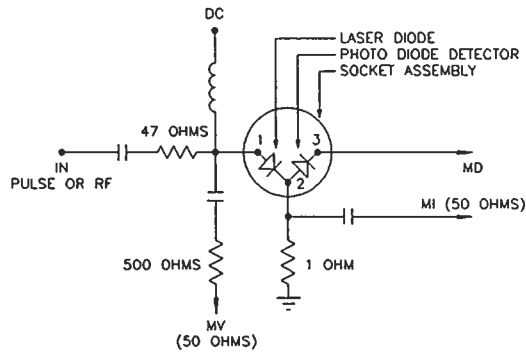
SPECIFICATIONS

AVX-S SERIES

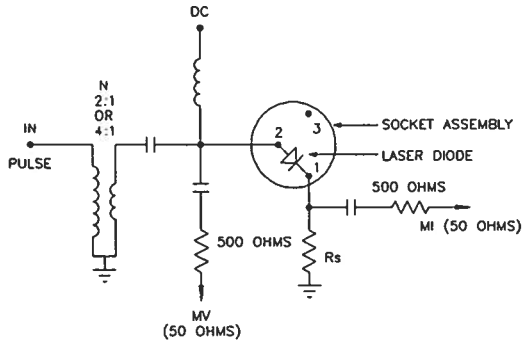
| Model: | AVX-S1 | AVX-S2 | AVX-S3A | AVX-S3B | AVX-S3C | AVX-S3D |
|------------------------|----------------------------|--------------|-------------|-----------|-------------|------------|
| Peak diode current: | 400 mA | 2 Amps | 5 Amps | 28 Amps | 10 Amps | 48 Amps |
| Max. input amplitude: | 20 volts | 100 volts | 150 volts | 350 volts | 150 volts | 150 volts |
| Pulse width (nsec): | 0.4 - 200 | 1 - 1000 | 2 - 100 | 2 - 100 | 2 - 100 | 5 - 500 |
| Rise time (nsec): | 0.2 | 0.5 | 0.5 | 1.0 | 0.5 | 2.0 |
| Pulse PRF range: | DC - 0.5 GHz | DC - 100 MHz | DC - 10 MHz | DC-10 MHz | DC - 10 MHz | DC - 1 MHz |
| CW frequency range: | 10 MHz - 1.0 GHz | 1 - 200 MHz | - | - | - | - |
| Max. bias current: | 100 mA | 100 mA | 100 mA | 100 mA | 100 mA | 100 mA |
| Max. bias voltage: | 50 volts | 50 volts | 50 volts | 50 volts | 50 volts | 50 volts |
| Input impedance: | 50 ohms | 50 ohms | 50 ohms | 50 ohms | 25 ohms | 12 ohms |
| N: | - | - | 2 | 4 | 2 | 4 |
| R _s (ohms): | - | - | 10 | 3 | 5 | 0.7 |
| IN connector: | SMA | | | | | |
| Monitor connector: | SMA | | | | | |
| Bias connector: | Solder pin | | | | | |
| Size (in): | 1.6 x 2.6 x 3.0 | | | | | |
| Material: | Cast aluminum, blue enamel | | | | | |
| Mounting: | Any | | | | | |



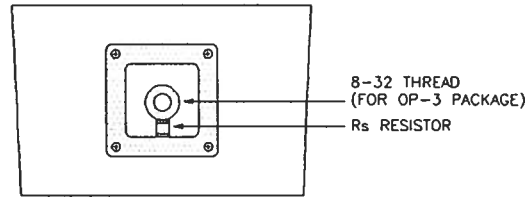
AVX-S1 FUNCTIONAL EQUIVALENT CIRCUIT



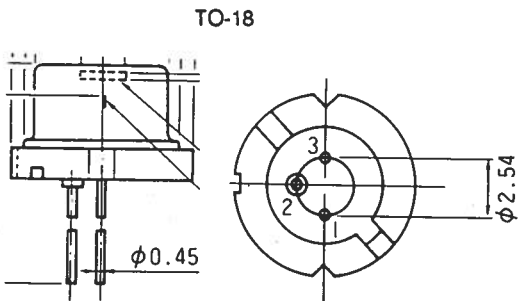
AVX-S2 FUNCTIONAL EQUIVALENT CIRCUIT



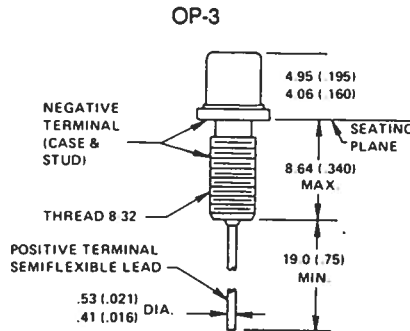
AVX-S3 FUNCTIONAL EQUIVALENT CIRCUIT



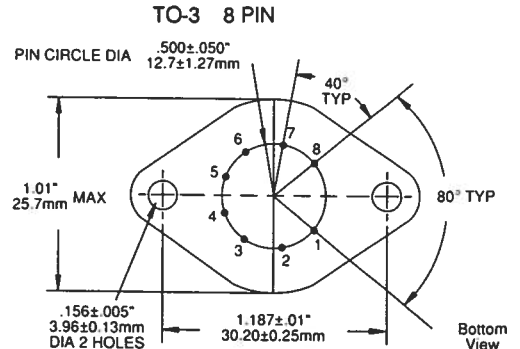
AVX-S3 INPUT ASSEMBLY (FOR OP-3 PACKAGE)



TO-18



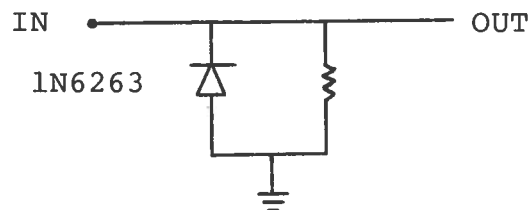
OP-3



TO-3 8 PIN

TYPICAL PACKAGES

- 1) The AVX-S1 module should be connected to the AVO-9E-C mainframe via the supplied 24" RG174 cable. The diode current may be monitored by connecting the MI output port to the sampling scope via a 20 db attenuator.
- 2) The SDL-2410-H2 diode plugs directly into the socket on the side of the AVX-S1 module.
- 3) A forward DC bias may be applied to the laser diode by connecting a DC potential of 0 to +5 volts to the DC solder terminal. The application of a small forward bias often yields a more ideal diode current waveform (as observed on the MI port). Note that the DC port must be shorted to ground if a bias is not applied.
- 4) The AVO-9E-DP module may be connected to the in port of the AVX-S1 module to protect the laser diode from negative-going input potentials. The AVO-9E-DP has the following equivalent circuit:

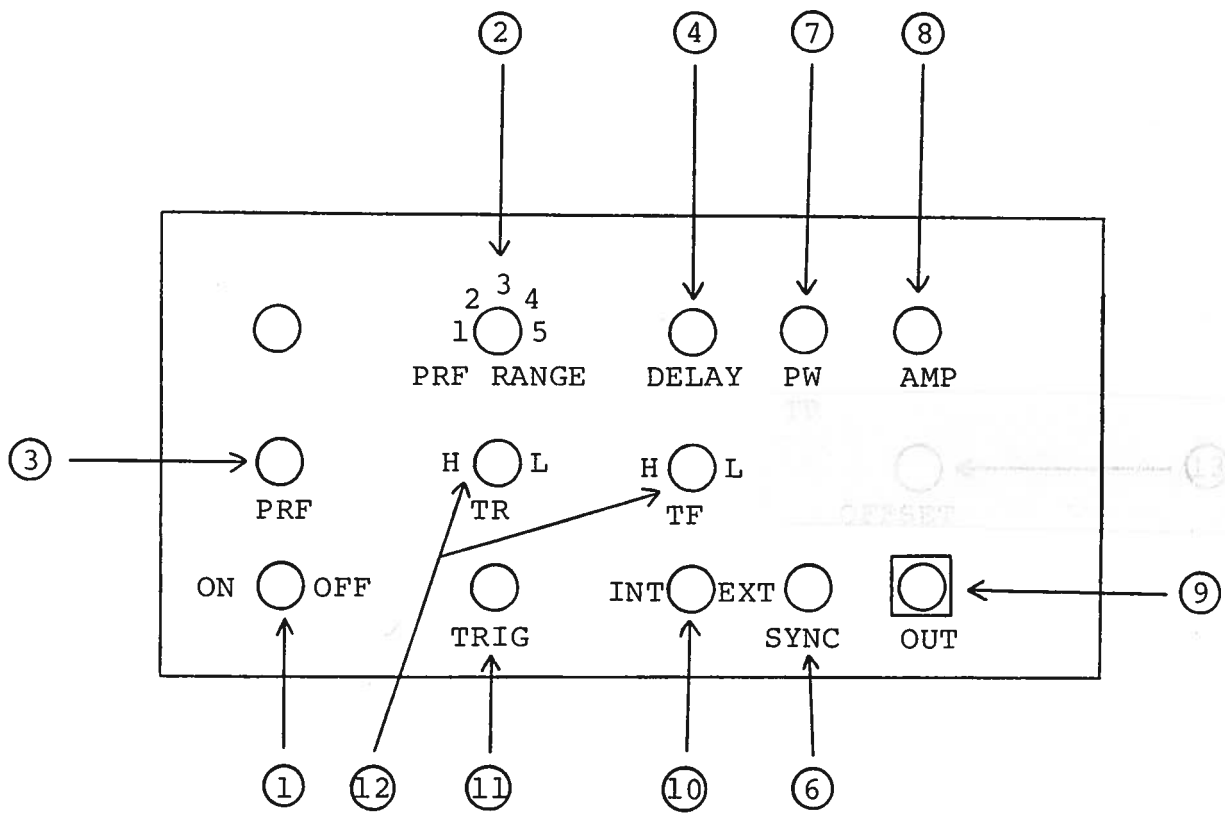


The 1N6263 is a bit carrier diode configured to conduct if a negative voltage of about 0.2 volts or greater is applied.

- 5) As discussed in the previous section, the AVX-3 module may be connected between the AVO-9E-C mainframe and the AVX-S1 module in order to provide a negative input pulse to the AVX-S1 input. Note that the AVO-9E-DP module must not be used when the AVX-3 module is used. Also note that the AVX-3 module includes a 1N6263 clipping diode on its output. Finally note that the AVX-3 module may not be used with the SDL-2410-H2 diode since this would result in the application of a large negative pulse to the anode of the diode.
- 6) A general description of the AVX-S1 module is given in the enclosed data sheet.
- 7) Note that when connecting either the AVX-3 or AVO-9E-DP modules to the AVX-S1 module, the SMA male to male sex-changer (supplied with unit) should be placed between the two modules so as to allow ready access to the remaining SMA connectors on the AVX-S1 module.

Fig. 3

FRONT PANEL CONTROLS



- (1) ON-OFF Switch. Applies basic prime power to all stages.
- (2) PRF Control. PRF RANGE, PRF and PRF FINE controls
- (3) determine output PRF as follows:

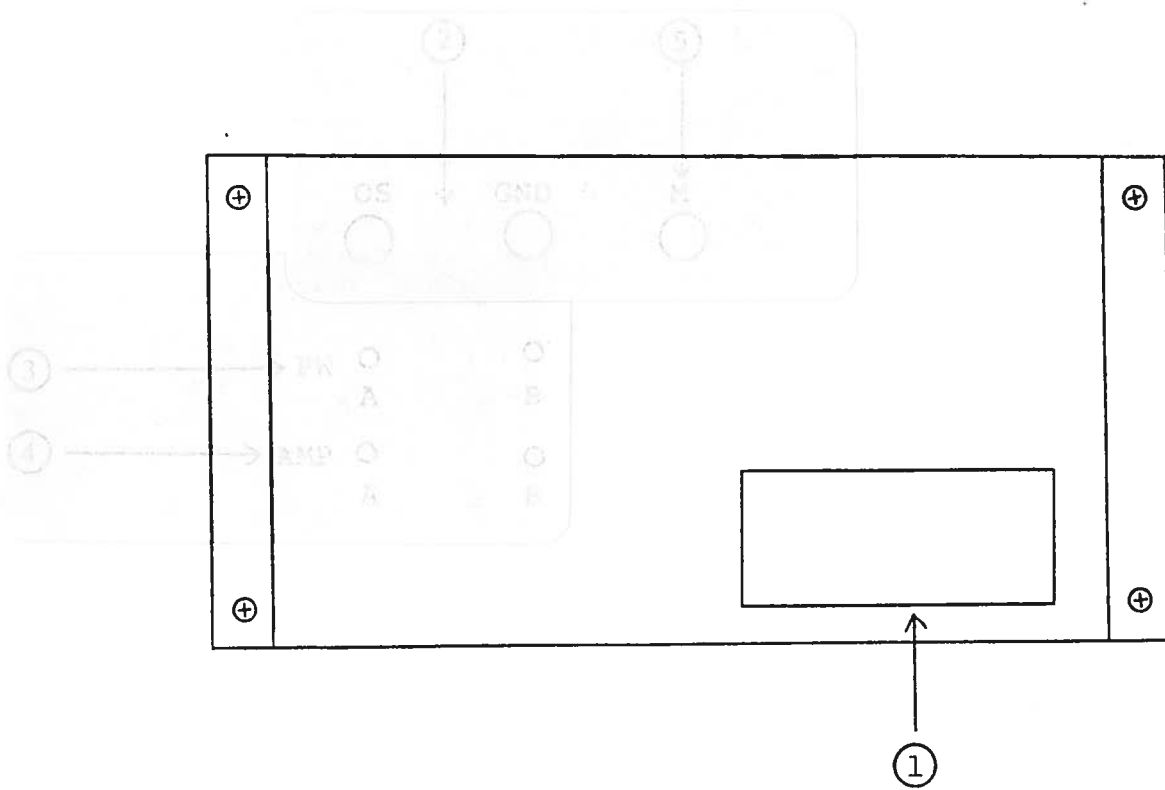
| | PRF MIN | PRF MAX |
|---------|---------|---------|
| Range 1 | 200 Hz | 2 KHz |
| Range 2 | 2 KHz | 22 KHz |
| Range 3 | 22 KHz | 220 KHz |
| Range 4 | 180 KHz | 1.8 MHz |
| Range 5 | 1.2 MHz | 10 MHz |

- (4) DELAY Control. Controls the relative delay between the reference output pulse provided at the SYNC output (6) and the main output (9). This delay is variable over the range of 0 to at least 100 nsec.
- (6) SYNC Output. This output precedes the main output (9) and is used to trigger the sampling scope time base. The output is a +0.5V 20 nsec (approx) pulse capable of driving a fifty ohm load.
- (7) PW Control. A one turn control which varies the output pulse width.
- (8) AMP Control. A one turn control which varies the output pulse amplitude from 0 to max output to a fifty ohm load.
- (9) OUT Connector. SMA connector provides output to a fifty ohm load.
- (10) EXT-INT Control. With this toggle switch in the INT position, the PRF of the unit is controlled via an internal clock which in turn is controlled by the PRF and PRF FINE controls. With the toggle switch in the EXT position, the unit requires a 50 nsec (or under) TTL level pulse applied at the TRIG input in order to trigger the output stages. In addition, in this mode, the scope time base must be triggered by the external trigger source.
- (11) TRIG Input. The external trigger signal is applied at this input when the EXT-INT toggle switch is in the EXT position.
- (12) TR, TF, HIGH-LOW. Two position switches to set TR (or TF) in HIGH and LOW ranges. (option TRF).

Fig. 4

BACK PANEL CONTROLS

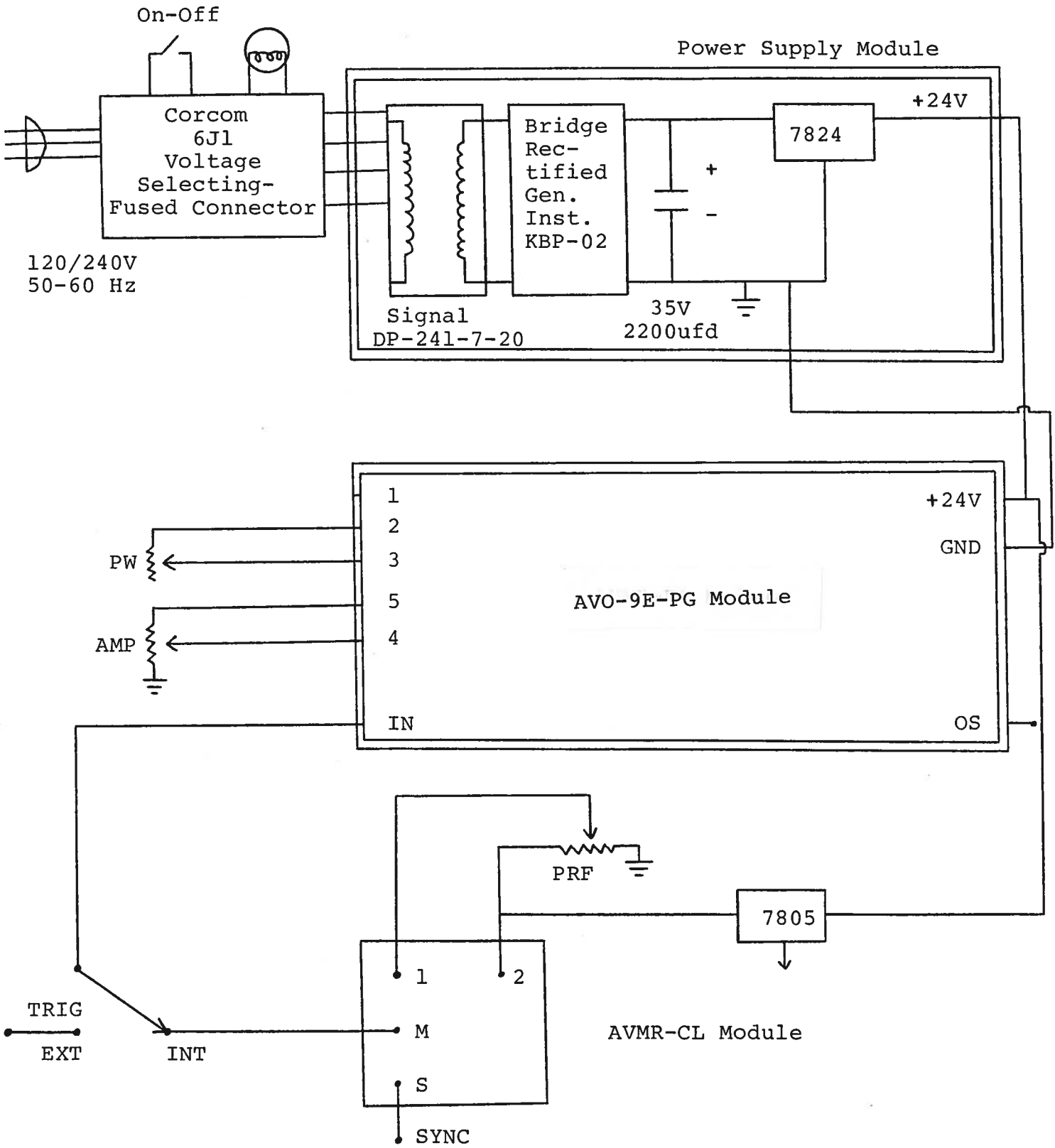
(for units without the OT or ES options)



- (1) FUSED CONNECTOR, VOLTAGE SELECTOR. The detachable power cord is connected at this point. In addition, the removable cord is adjusted to select the desired input operating voltage. The unit also contains the main power fuse.

Fig. 5

SYSTEM BLOCK DIAGRAM



SYSTEM DESCRIPTION AND REPAIR PROCEDURE

The AVD-9E-C consists of a pulse generator module (AVD-9E-PG), a clock module (AVD-9E-CL) and a power supply board which supplies +24 volts (600 mA max) to the pulse generator module. In the event that the unit malfunctions, remove the instrument cover by removing the four Phillips screws on the back panel of the unit. The top cover may then be slid off. Measure the voltage at the +24 V pin of the PG module. If this voltage is substantially less than +24 volts, unsolder the line connecting the power supply and PG modules and connect 50 ohm 10 W load to the PS output. The voltage across this load should be about +24 V DC. If this voltage is substantially less than 24 volts the PS module is defective and should be repaired or replaced. If the voltage across the resistor is near 24 volts, then the PG module should be replaced or repaired. The sealed PG module must be returned to Avtech for repair (or replacement). The clock module provides a 20 nsec TTL level trigger pulse at pin M to trigger the PG module and a 20 nsec 0.5 V sync pulse at pin S to trigger the sampling scope display device. The output at pin S precedes the output at pin M by 0 to 100 nsec depending on the DELAY control setting. With the INT-EXT switch in the EXT position, the clock module is disconnected from the PG module. The clock module is functioning properly if:

- a) 20 nsec outputs are observed at pins M and S.
- b) The PRF of the outputs can be varied over the range of 10 Hz to 10 MHz using the PRF, PRF FINE and PRF RANGE controls.
- c) The relative delay between the pin M and S outputs can be varied by at least 100 nsec by the DELAY control.

The sealed clock module must be returned to Avtech for repair or replacement if the above conditions are not observed.

Schroff

07.16.90

-EW

-EA

-PN

-M