

AVTECH ELECTROSYSTEMS LTD.

NANOSECOND WAVEFORM ELECTRONICS
ENGINEERING - MANUFACTURING

□ P.O. BOX 265
OGDENSBURG
NEW YORK
13669
(315) 472-5270

☒ BOX 5120, STN. "F"
OTTAWA, ONTARIO
CANADA K2C 3H4
TEL: (613) 226-5772
FAX: (613) 226-2802
TELEX: 053-4591

INSTRUCTIONS

MODEL AVP-AV-HV2-C-N-PN-M-OS-LIA PULSE GENERATOR

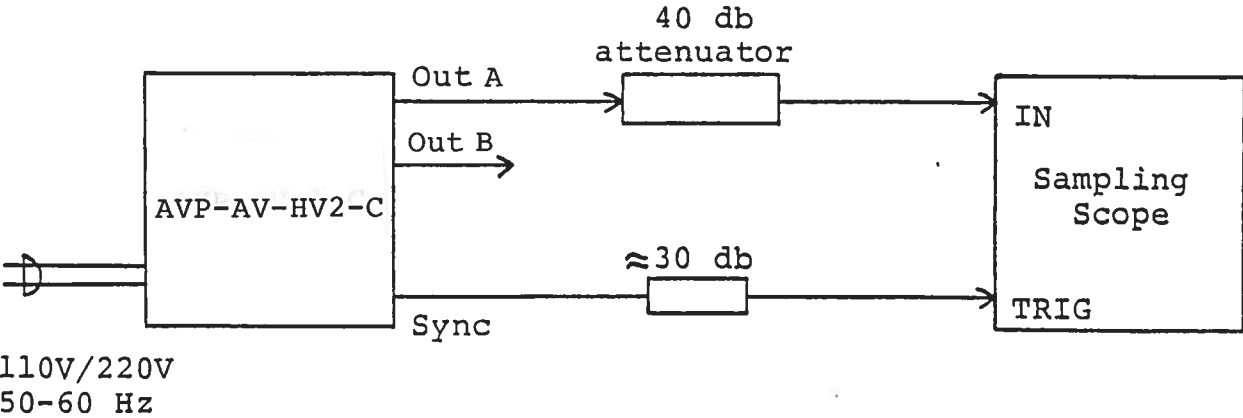
S.N.:

WARRANTY

Avtech Electrosystems Ltd. warrants products of its manufacture to be free from defects in material and workmanship under conditions of normal use. If, within one year after delivery to the original owner, and after prepaid return by the original owner, this Avtech product is found to be defective, Avtech shall at its option repair or replace said defective item. This warranty does not apply to units which have been disassembled, modified or subjected to conditions exceeding the applicable specifications or ratings. This warranty is the extent of the obligation or liability assumed by Avtech with respect to this product and no other warranty or guarantee is either expressed or implied.

Fig. 1

PULSE GENERATOR TEST ARRANGEMENT



Notes:

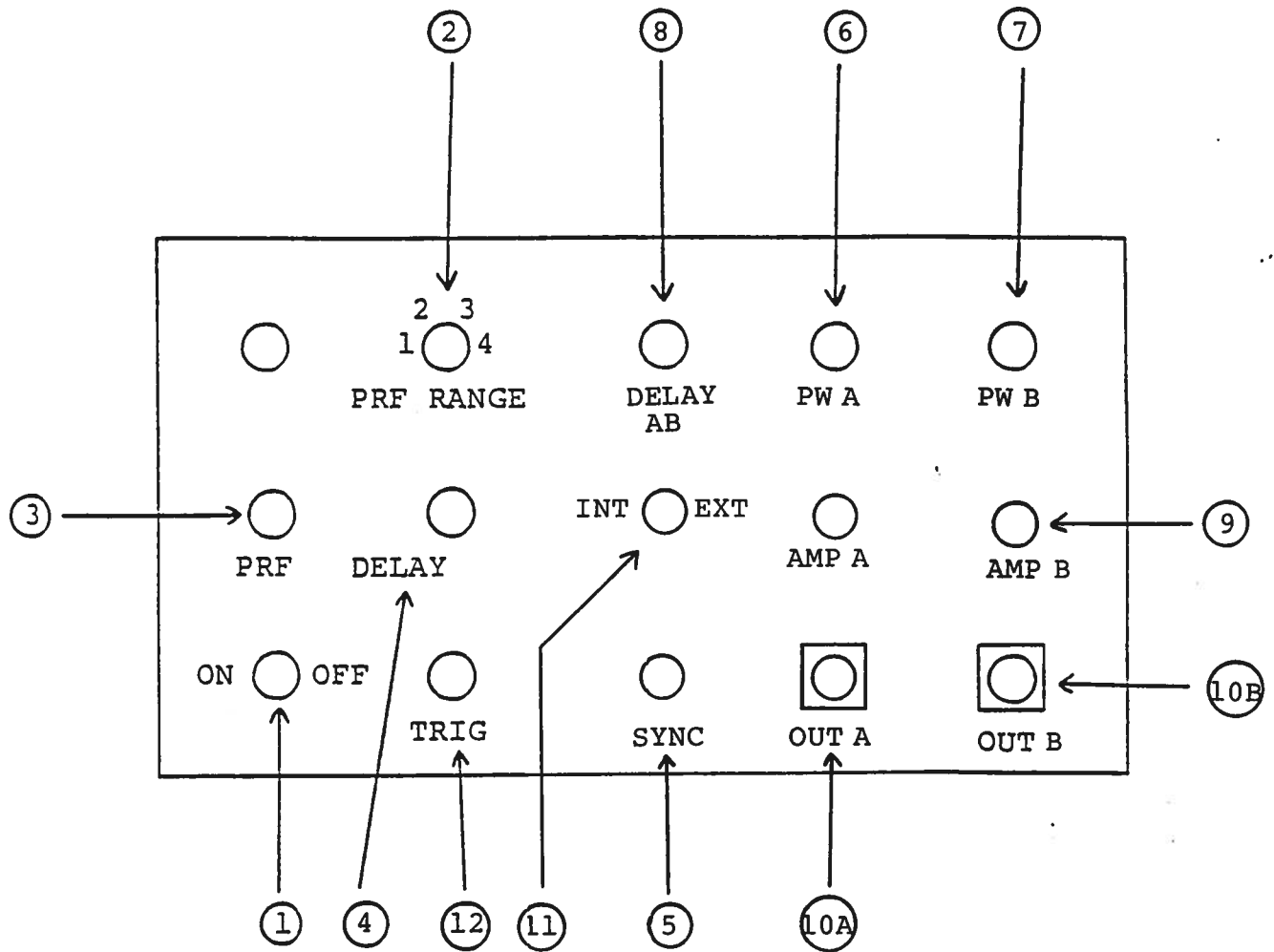
- 1) The bandwidth capability of components and instruments used to display the pulse generator output signal (attenuators, cables, connectors, etc.) should exceed ten gigahertz.
- 2) The use of 40 db attenuator at the sampling scope vertical input channel will insure a peak input signal to the sampling scope of less than one volt.
- 3) The sync output channel provides TTL level signals. To avoid overdriving the TRIG input channel of some sampling scopes, a 30 db attenuator should be placed at the input to the sampling scope trigger channel.
- 4) To obtain a stable output display the PRF control on the front panel should be set mid-range while the PRF range switch may be in either range. The front panel TRIG toggle switch should be in the INT position. The front panel DELAY controls and the scope triggering controls are then adjusted to obtain a stable output. The scope may then be used to set the desired PRF by rotating the PRF control and by means of the PRF range switch.
- 5) Pulse widths A and B are controlled by the front panel PWA and PWB controls. Rotation of the PW pots causes the position of the falling edge to change. The separation between the pulses is controlled by the DELAY AB control.
- 6) The output pulse amplitude is controlled by means of the front panel one turn AMP A and AMP B controls. The pulse widths may change by several nanoseconds as the output amplitude is reduced from maximum to minimum. Therefore it is convenient to first set the desired amplitude and then set the desired pulse width.
- 7) Some properties of the output pulse may change as a function of the amplitude pot setting. For some demanding applications, it may be desirable to use a combination of external attenuators and the amplitude pot to achieve the desired output amplitude.
- 8) An external clock may be used to control the output PRF of the AVP unit by setting the front panel TRIG toggle switch in the EXT position and applying a 0.2 usec (approx) TTL level pulse to the TRIG BNC connector input. For operation in this mode, the scope time base must also be triggered by the external clock rather than from the SYNC output.
- 9) The monitor outputs -MA and -MB provide a 20 db attenuated coincident replica of the main outputs. (option).

- 10) To DC offset the output pulse connect a DC power supply set to required DC offset value to the back panel terminals marked O.S. The maximum attainable DC offset voltage is ±50 volts. (option).

- 11) For units with the dual output polarity option (-FN) a negative output pulse is obtained at the OUT SMA connector. To obtain a positive output pulse, connect the AVX-2-T module to the OUT SMA connector. A positive output pulse is then obtained at the output of the AVX-2-T module. To offset the positive pulse, apply the desired potential to the solder terminal on the AVX-T-2 module.

Fig. 2

FRONT PANEL CONTROLS



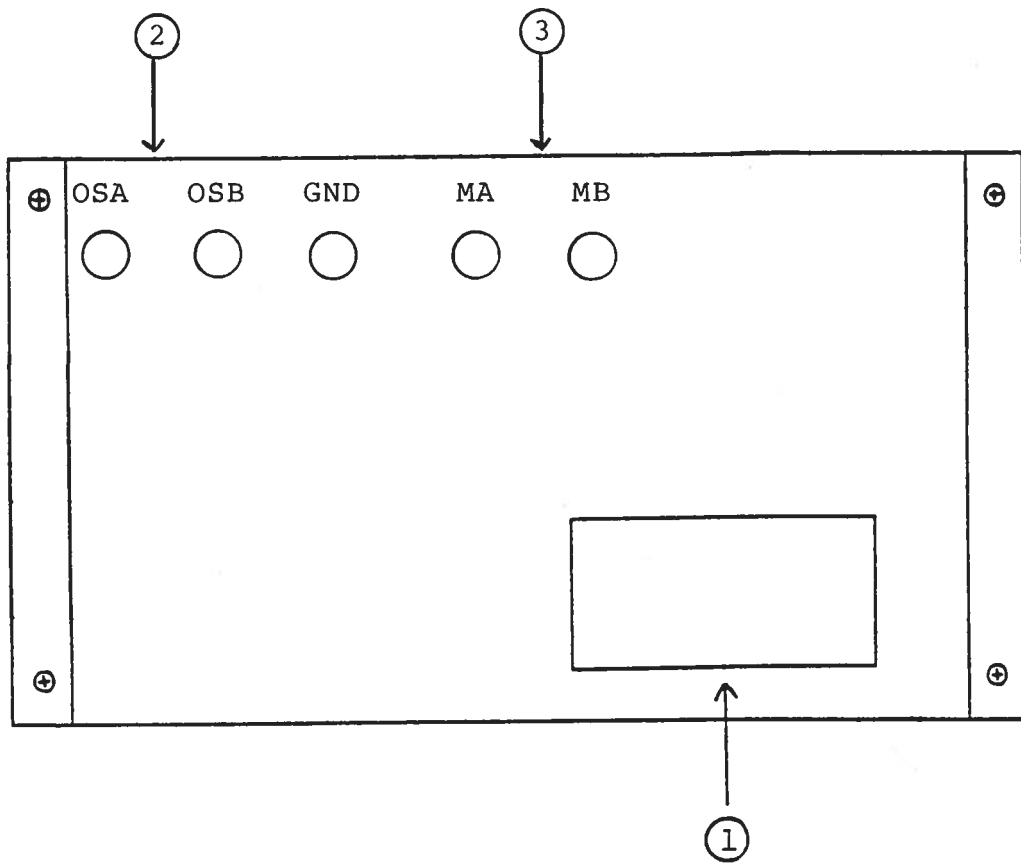
- (1) ON-OFF Switch. Applies basic prime power to all stages.
- (2) PRF Control. The PRF RANGE and PRF controls determine
- (3) output PRF as follows:

	PRF MIN	PRF MAX
Range 1	100 Hz	1 KHz
Range 2	1 KHz	10 KHz
Range 3	10 KHz	100 KHz
Range 4	100 KHz	1 MHz

- (4) DELAY Control. Controls the relative delay between the reference output pulse provided at the SYNC output (5) and the main outputs (10). This delay is variable over the range of 0 to at least 500 nsec.
- (5) SYNC Output. This output precedes the main output (10) and is used to trigger the sampling scope time base. The output is a TTL level 100 nsec (approx) pulse capable of driving a fifty ohm load.
- (6) PWA Control. A one turn control which varies the output pulse width A.
- (7) PWB Control. Varies PW of B pulse.
- (8) DELAY A-B Control. Varies time separation between A and B pulses from 0 to ± 5 nsec.
- (9) AMP A and AMP B Controls. One turn control which varies the output pulse amplitude.
- (10) OUT. SMA connectors provides output to 50 ohm load.
- (11) EXT-INT Control. With this toggle switch in the INT position, the PRF of the AVP unit is controlled via an internal clock which in turn is controlled by the PRF controls. With the toggle switch in the EXT position, the AVP unit requires a 0.2 usec TTL level pulse applied at the TRIG input in order to trigger the output stages. In addition, in this mode, the scope time base must be triggered by the external trigger source.
- (12) TRIG Input. The external trigger signal is applied at this input when the EXT-INT toggle switch is in the EXT position.

Fig. 3

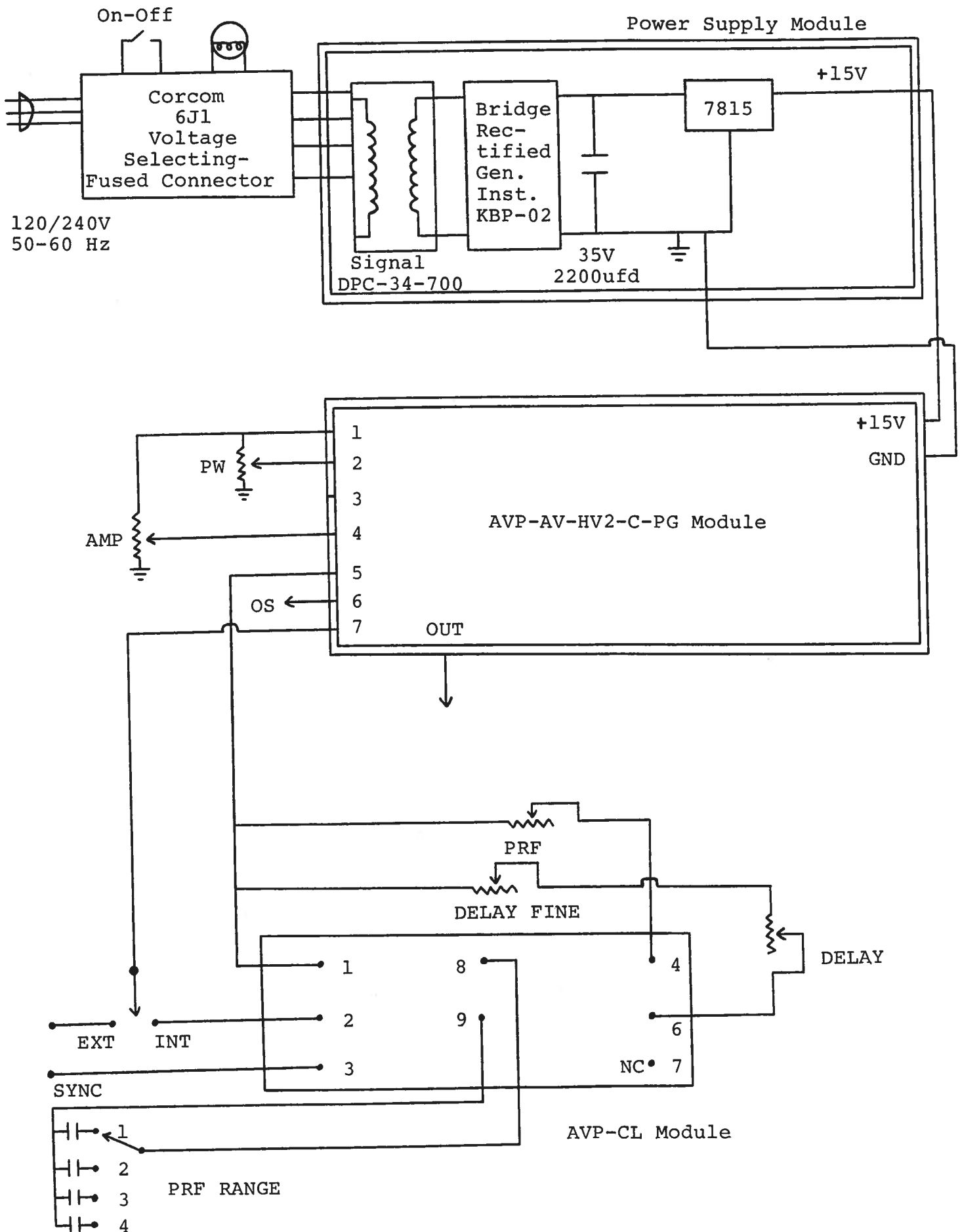
BACK PANEL CONTROLS



- (1) FUSED CONNECTOR, VOLTAGE SELECTOR. The detachable power cord is connected at this point. In addition, the removable cord is adjusted to select the desired input operating voltage. The unit also contains the main power fuse.
- (2) DC OFFSET Input. To DC offset the output pulse, connect a DC power supply set to the desired offset value to these terminals. The maximum allowable DC offset voltage is ± 50 volts. (option).
- (3) MONITOR Output. The monitor output (-M) provides a 20 db attenuated coincident replica of the main output. (option).

Fig. 4

SYSTEM BLOCK DIAGRAM



SYSTEM DESCRIPTION AND REPAIR PROCEDURE

The AVP-AV-HV2-C-LIA consists of two pulse generator modules, a clock module and a power supply board which supplies +15 volts (600 mA max) to the pulse generator modules. In the event that the unit malfunctions, remove the instrument cover by removing the four Phillips screws on the back of the unit. The top cover may then be slid off. Measure the voltage at the +15V pin of the PG module. If this voltage is substantially less than +15 volts, unsolder the line connecting the power supply and PG modules and connect 50 ohm 10 W load to the PS output. The voltage across this load should be about +15 V DC. If this voltage is substantially less than 15 volts the PS module is defective and should be repaired or replaced. If the voltage across the resistor is near 15 volts, then the PG module should be replaced or repaired. The sealed PG module must be returned to Avtech for repair (or replacement). The clock module provides a 0.1 usec TTL level trigger pulse at pin 2 to trigger the PG module and a 0.1 usec TTL level sync pulse at pin 3 to trigger the sampling scope display device. The output at pin 3 precedes the output at pin 2 by almost 0 to 100 nsec depending on the DELAY control setting. The clock module is powered by +5.8 V supplied by the PG module (from pin 5 to pin 1). With the INT-EXT switch in the EXT position, the clock module is disconnected from the PG module. The clock module is functioning properly if:

- a) 0.1 usec TTL level outputs are observed at pins 2 and 3.
- b) The PRF of the outputs can be varied over the range of 1 KHz to 1 MHz using the PRF and PRF RANGE controls.
- c) The relative delay between the pin 2 and 3 outputs can be varied by at least 500 nsec by the DELAY controls.

The sealed clock module must be returned to Avtech for repair or replacement if the above conditions are not observed.

Schroff

02.05.91

SYSTEM DESCRIPTION FOR THE...

The system consists of two main functional modules. The first module is the power supply which is located in the main cabinet. It provides the necessary power to the other modules. The second module is the control system which is located in the control cabinet. It controls the operation of the system.

The power supply module consists of a transformer, a rectifier, and a filter. The transformer steps down the input voltage to the required level. The rectifier converts the AC voltage to DC. The filter smooths the DC voltage. The control system module consists of a microprocessor, memory, and I/O devices. The microprocessor controls the operation of the system. The memory stores the program and data. The I/O devices provide the interface between the system and the user.

The system is designed to be reliable and easy to maintain. It has a modular architecture which allows for easy replacement of components. The power supply and control system are housed in separate cabinets to reduce the risk of damage to the sensitive control system.

- a) The power supply module is connected to the main cabinet...
 - b) The control system module is connected to the control cabinet...
 - c) The relative delay between the two modules is...
- The system is designed to be reliable and easy to maintain. It has a modular architecture which allows for easy replacement of components. The power supply and control system are housed in separate cabinets to reduce the risk of damage to the sensitive control system.