



# AVTECH ELECTROSYSTEMS LTD.

NANOSECOND WAVEFORM ELECTRONICS  
SINCE 1975

□ P.O. BOX 265  
OGDENSBURG, NY  
U.S.A. 13669-0265  
TEL: (315) 472-5270  
FAX: (613) 226-2802

TEL: 1-800-265-6681  
FAX: 1-800-561-1970

e-mail: [info@avtechpulse.com](mailto:info@avtechpulse.com)  
<http://www.avtechpulse.com>

□ P.O. BOX 5120 STN. F  
OTTAWA, ONTARIO  
CANADA K2C 3H4  
TEL: (613) 226-5772  
FAX: (613) 226-2802

## INSTRUCTIONS

MODEL AVP-2S-C-PN PULSE GENERATOR

S.N.:

### WARRANTY

Avtech Electrosystems Ltd. warrants products of its manufacture to be free from defects in material and workmanship under conditions of normal use. If, within one year after delivery to the original owner, and after prepaid return by the original owner, this Avtech product is found to be defective, Avtech shall at its option repair or replace said defective item. This warranty does not apply to units which have been disassembled, modified or subjected to conditions exceeding the applicable specifications or ratings. This warranty is the extent of the obligation assumed by Avtech with respect to this product and no other warranty or guarantee is either expressed or implied.

### TECHNICAL SUPPORT

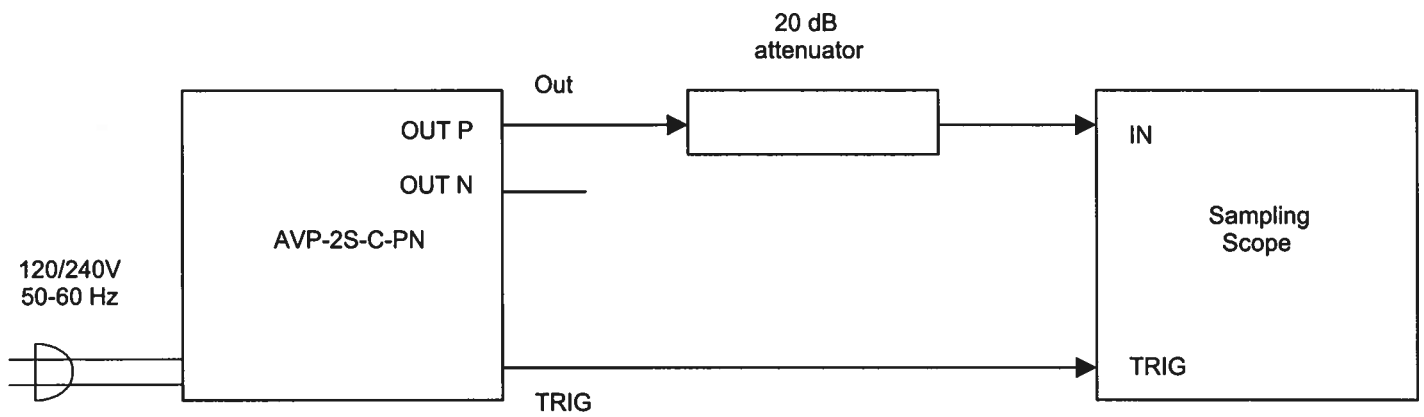
Phone: 613-226-5772 or 1-800-265-6681  
Fax: 613-226-2802 or 1-800-561-1970

E-mail: [info@avtechpulse.com](mailto:info@avtechpulse.com)  
World Wide Web: <http://www.avtechpulse.com>

TABLE OF CONTENTS

WARRANTY .....	2
TABLE OF CONTENTS .....	3
FIG. 1: PULSE GENERATOR TEST ARRANGEMENT.....	4
GENERAL OPERATING INSTRUCTIONS .....	5
FIG. 2 FRONT PANEL CONTROLS .....	7
FRONT PANEL CONTROLS .....	8
FIG. 3 BACK PANEL CONTROLS (for units with EO or OT options) .....	9
BACK PANEL CONTROLS (for units with EO or OT option) .....	10
POWER SUPPLY AND FUSE REPLACEMENT .....	11
PERFORMANCE CHECK SHEET .....	13

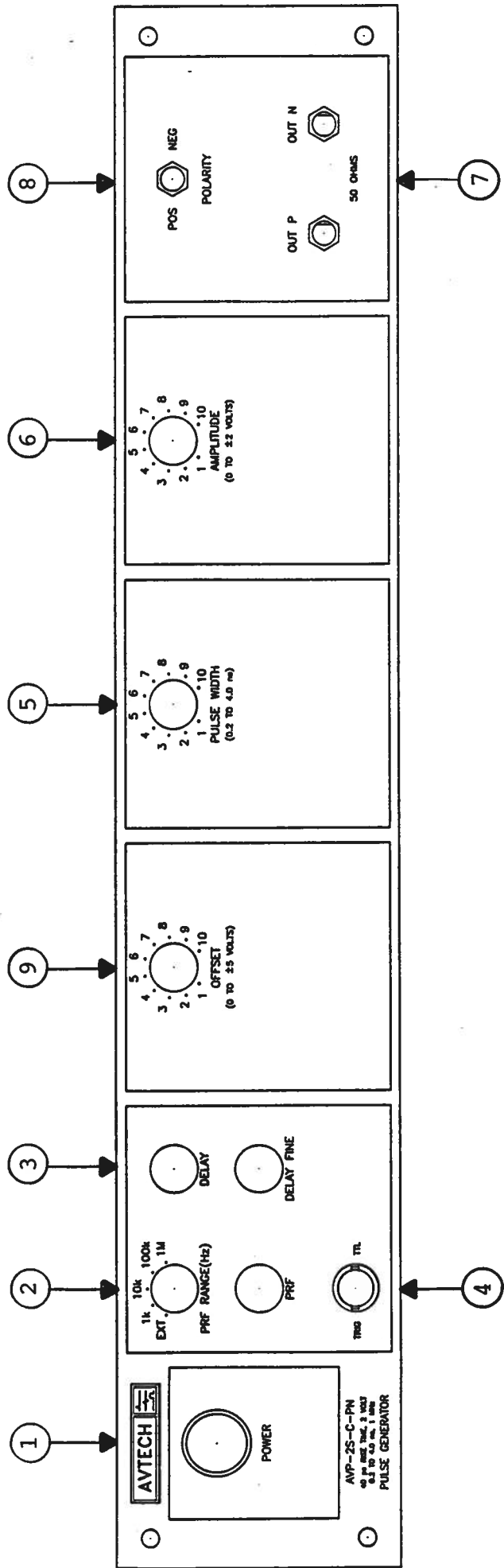
FIG. 1: PULSE GENERATOR TEST ARRANGEMENT



## GENERAL OPERATING INSTRUCTIONS

- (1) The bandwidth capability of components and instruments used to display the pulse generator output signal (attenuators, cables, connectors, etc.) should exceed ten gigahertz.
- (2) The use of 20-dB attenuator at the sampling scope vertical input channel will insure a peak input signal to the sampling scope of less than one Volt.
- (3) The TRIG output channel provides TTL level signals.
- (4) To obtain a stable output display the PRF control on the front panel should be set mid-range while the PRF range switch may be in either range. The front panel DELAY controls and the scope triggering controls are then adjusted to obtain a stable output. The scope may then be used to set the desired PRF by rotating the PRF control.
- (5) The OUT P output is activated by placing the two-position polarity switch in the positive position while the OUT N output is activated by placing the polarity switch in the negative position.
- (6) The output pulse width is controlled by means of the front panel one-turn PW control. The control should initially be set maximum clockwise and the pulse width adjusted using an oscilloscope.
- (7) To voltage control the output pulse width, set the rear panel switch in the EXT position and apply 0 to +10V to Connector A ( $R_{IN} \geq 10K$ ). (EW option).
- (8) The output pulse amplitude is controlled by means of the front panel one-turn AMP control. The pulse width may change by several nanoseconds as the output amplitude is reduced from maximum to minimum. Therefore it is convenient to first set the desired amplitude and then set the desired pulse width. Rotation of the PW pot causes the position of the falling edge of the pulse to change.
- (9) Some properties of the output pulse may change as a function of the amplitude pot setting. For some demanding applications, it may be desirable to use a combination of external attenuators and the amplitude pot to achieve the desired output amplitude.
- (10) To voltage control the output amplitude set the rear panel switch in the EXT position and apply 0 to +10V to Connector A ( $R_{IN} \geq 10K$ ). (EW option).

- (11) To DC offset the output pulse connect a DC power supply set to the required DC offset value to the back panel terminals marked O.S. The maximum attainable DC offset voltage is  $\pm 50$  Volts. (Option).
- (12) An external clock may be used to control the output PRF of the AVP unit by setting the front panel PRF range switch in the EXT position and applying a 50 ns (or wider) TTL level pulse to the TRIG BNC connector input.
- (13) For units with the OT or EO options, the output DC offset is variable from +5 to -5 Volts by means of the front panel one-turn OFFSET control. The offset control may be turned off by means of the rear panel ON-OFF OFFSET switch.
- (14) For units with the EO option, the output offset may be voltage controlled by setting the rear panel switch in the EXT position and applying 0 to +10V to Connector A ( $R_{IN} \geq 10K$ ).
- (15) MONITOR Output: Provides an attenuated (x10) coincident replica (to 50 Ohm) of the main output. (option).
- (16) The unit can be converted from 120 to 240V 50-60 Hz operation by adjusting the voltage selector card in the rear panel fused voltage selector-cable connector assembly.
- (17) For additional assistance:  
  
Tel: (613) 226-5772  
Fax: (613) 226-2802  
Email: [info@avtechpulse.com](mailto:info@avtechpulse.com)



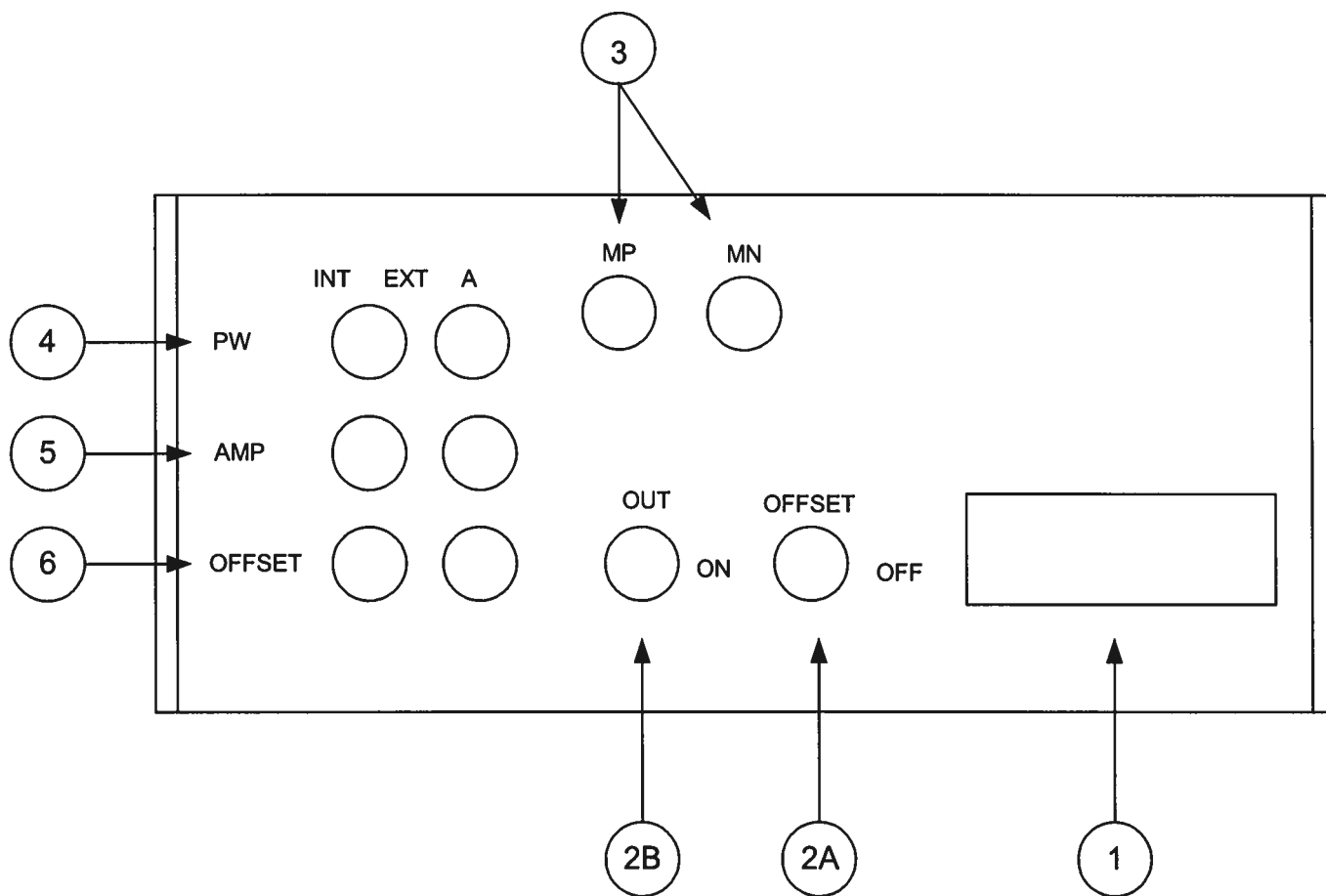
**FIG. 2 FRONT PANEL CONTROLS**

## FRONT PANEL CONTROLS

- (1) ON-OFF Switch. Applies basic prime power to all stages.
- (2) PRF Control. With this range switch in the 1K, 10K, 100K or 1M positions, the PRF of the AVP unit is controlled via an internal clock which in turn is controlled by the PRF controls. With the range switch in the EXT position, the AVP unit requires a 50 ns (or wider) TTL level pulse applied at the TRIG input in order to trigger the output stages.
- (3) DELAY Controls. Controls the relative delay between the reference output pulse provided at the TRIG output (4) and the main output (5). This delay is variable over the range of 0 to at least 150 ns.
- (4) TRIG Output. When triggered internally, this output precedes the main output (5) and is used to trigger the scope time base. The output is a +3V 200 ns (approx) pulse capable of driving a fifty-Ohm load. Set scope to trigger on positive edge. The external trigger signal is applied at this point when the PRF INT toggle switch is in the EXT position.
- (5) PW Control. A one-turn control, which varies the output pulse width from 0 to 4 ns.
- (6) AMP Control. A one-turn control which varies the output pulse amplitude.
- (7) OUT. SMA connectors provide outputs to 50 ohms.
- (8) POLARITY. The OUT P output is activated by placing the two-position polarity switch in the positive position while the OUT N output is activated by placing the polarity switch in the negative position.
- (9) DC OFFSET. For units with the OT or EO options, the output DC offset is variable from +5 to -5 Volts by means of the front panel turn OFFSET control. The offset control may be turned off by means of the rear panel ON-OFF OFFSET switch.



FIG. 3 BACK PANEL CONTROLS (for units with EO or OT options)



BACK PANEL CONTROLS (for units with EO or OT option)

- (1) FUSED CONNECTOR, VOLTAGE SELECTOR. The detachable power cord is connected at this point. In addition, the removable cord is adjusted to select the desired input operating voltage. The unit also contains the main power fuse.

For AC line voltages of 110-120V, the power selector card should be installed so that the "120" marking is visible from the rear of the instrument.

For AC line voltages of 220-240V, the power selector card should be installed so that the "240" marking is visible from the rear of the instrument.

If it is not set for the proper voltage, remove the fuse and then grasp the card with a pair of pliers and remove it. Rotate horizontally through 180 degrees. Reinstall the card and the correct fuse.

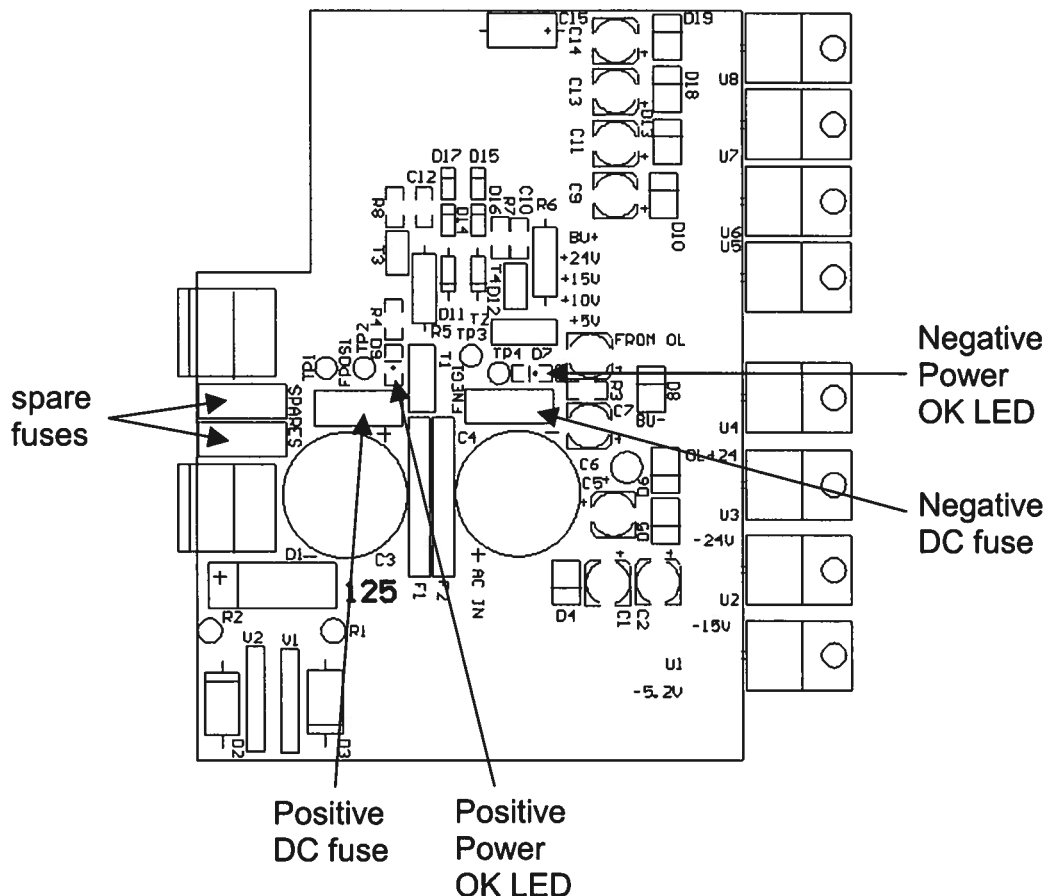
In the 120V setting, a 0.5A slow blow fuse is required. In the 240V setting, a 0.25A slow blow fuse is required.

- (2A) OT. Two-position switch which turns output DC offset ON or OFF. (EO or OT options).
- (2B) OT. DC output offset potential appears at this terminal.
- (3) MONITOR OUT M. Provides an attenuated (x10) coincident replica of the main output pulse to fifty-Ohms (option).
- (4) PW. To voltage control the output pulse width, set the two-position switch in the EXT position and apply 0 to +10V to BNC Connector A ( $R_{IN} \geq 10K$ ). (EW option).
- (5) AMP. To voltage control the output amplitude, set the two-position switch in the EXT position and apply 0 to +10V to BNC Connector A ( $R_{IN} \geq 10K$ ). (EA option).
- (6) OFFSET. To voltage control the DC offset, set the two-position switch in the EXT position and apply 0 to +10V to BNC Connector A ( $R_{IN} \geq 10K$ ). (EO option). Note that the OT switch (2A) must be in the "ON" position.

## POWER SUPPLY AND FUSE REPLACEMENT

This instrument has three main fuses, plus two spares. One, which protects the AC input, is located in the rear-panel power entry module, as described in the “Rear Panel Controls” section of this manual. If the power appears to have failed, check the AC fuse first.

The other two fuses (plus two spares) are located on the internal DC power supply, as shown below:



The positive fuse and one of the spare fuses on this circuit board are 1A slow-blow fuses, Littlefuse part number R452001. (This fuse can be ordered from Digikey, [www.digikey.com](http://www.digikey.com). The Digikey part number is F1343CT-ND). The negative fuse and the second spare fuse are 0.5A slow-blow fuses (Littlefuse R452.500, Digikey part number F1341CT-ND).

If you suspect that the DC fuses are blown, follow this procedure:

1. Remove the top cover, by removing the four Phillips screws on the top cover and then sliding the cover back and off.
2. Locate the two "Power OK" LEDs on the power supply circuit board, as illustrated above.
3. Turn on the instrument.
4. Observe the "Power OK" LEDs. If the fuses are not blown, the two LEDs will be lit (bright red). If one of the LEDs is not lit, the fuse next to it has blown.
5. Turn off the instrument.
6. If a fuse is blown, use needle-nose pliers to remove the blown fuse from its surface-mount holder.
7. Replace the fuse. (Spare 1 Amp and 0.5 Amp fuses are provided on the circuit board. They may be transferred to the active fuse locations using needle-nose pliers.)

February 26/2002  
(action 1)