



AVTECH ELECTROSYSTEMS LTD.

NANOSECOND WAVEFORM ELECTRONICS
SINCE 1975

P.O. BOX 265
OGDENSBURG, NY
U.S.A. 13669-0265
TEL: (315) 472-5270
FAX: (613) 226-2802

TEL: 1-800-265-6681
FAX: 1-800-561-1970

e-mail: info@avtechpulse.com
<http://www.avtechpulse.com/>

BOX 5120, LCD MERIVALE
OTTAWA, ONTARIO
CANADA K2C 3H4
TEL: (613) 226-5772
FAX: (613) 226-2802

INSTRUCTIONS

MODEL AVR-3-PS-P-UHF

0 TO +200 VOLTS, 5 kHz

HIGH SPEED PULSE GENERATOR

WITH < 1 us RISE & FALL TIMES

SERIAL NUMBER: _____

WARRANTY

Avtech Electrosystems Ltd. warrants products of its manufacture to be free from defects in material and workmanship under conditions of normal use. If, within one year after delivery to the original owner, and after prepaid return by the original owner, this Avtech product is found to be defective, Avtech shall at its option repair or replace said defective item. This warranty does not apply to units which have been disassembled, modified or subjected to conditions exceeding the applicable specifications or ratings. This warranty is the extent of the obligation assumed by Avtech with respect to this product and no other warranty or guarantee is either expressed or implied.

TECHNICAL SUPPORT

Phone: 613-226-5772 or 1-800-265-6681

Fax: 613-226-2802 or 1-800-561-1970

E-mail: info@avtechpulse.com

World Wide Web: <http://www.avtechpulse.com>

TABLE OF CONTENTS

WARRANTY.....	2
TECHNICAL SUPPORT.....	2
TABLE OF CONTENTS.....	3
INTRODUCTION.....	5
SPECIFICATIONS & ORIGINAL QUOTATION.....	6
EUROPEAN REGULATORY NOTES.....	8
EC DECLARATION OF CONFORMITY.....	8
DIRECTIVE 2002/95/EC (RoHS).....	8
DIRECTIVE 2002/96/EC (WEEE).....	8
INSTALLATION.....	10
VISUAL CHECK.....	10
POWER RATINGS.....	10
CONNECTION TO THE POWER SUPPLY.....	10
PROTECTION FROM ELECTRIC SHOCK.....	11
ENVIRONMENTAL CONDITIONS.....	11
FUSES.....	13
AC FUSE REPLACEMENT.....	13
DC FUSE REPLACEMENT.....	14
FUSE RATINGS.....	14
FRONT PANEL CONTROLS.....	15
REAR PANEL CONTROLS.....	17
GENERAL INFORMATION.....	18
BASIC TEST ARRANGEMENT.....	18
PROTECTING YOUR INSTRUMENT.....	19
TURN OFF INSTRUMENT WHEN NOT IN USE.....	19
TURN OFF INSTRUMENT DURING SHORT CIRCUITS.....	19
DO NOT EXCEED 5 kHz.....	19
USE LOW-INDUCTANCE LOADS.....	19
MECHANICAL INFORMATION.....	20
TOP COVER REMOVAL.....	20
RACK MOUNTING.....	20

ELECTROMAGNETIC INTERFERENCE.....	20
MAINTENANCE.....	21
REGULAR MAINTENANCE.....	21
CLEANING.....	21
WIRING DIAGRAMS.....	22
WIRING OF AC POWER, 1/2.....	22
WIRING OF AC POWER, 2/2.....	23
PCB 158K - LOW VOLTAGE POWER SUPPLY, 1/3.....	24
PCB 158K - LOW VOLTAGE POWER SUPPLY, 2/3.....	25
PCB 158K - LOW VOLTAGE POWER SUPPLY, 3/3.....	26
PCB 157B - HIGH VOLTAGE DISCHARGE CIRCUIT.....	27
PCB 183A-S AND 183A-P CAPACITOR BANKS.....	28
MAIN WIRING.....	29
PERFORMANCE CHECK SHEET.....	30

Manual Reference: Z:\officefiles\instructword\avr-3\AVR-3-PS-P-UHF,ed1.odt.
Last modified March 8, 2006.
Copyright © 2006 Avtech Electrosystems Ltd, All Rights Reserved.

INTRODUCTION

The AVR-3-PS-P-UHF is an externally-triggered high-voltage pulse generator, capable of generating up to +200V at repetition rates up to 5 kHz. The output pulse width is approximately equal to the input pulse width, and may vary over the range of 2 to 200 us. The maximum duty cycle is 57.5%. The rise time and fall times are less than 1 us.

The output will drive loads with resistances of 500 Ohms or higher, and capacitances of 20 nF or lower. The voltage stability after 2 us is +/- 1 Volt. The maximum average output power is 50 Watts.

The output is current-limited at 7 Amps, approximately. The output will be disabled for 3 seconds if the current limit is active for longer than 5 us, approximately, to protect the instrument from short-circuits. The protective disabling will repeat as long as the over-current condition persists. The instrument will not be damaged by short circuits to ground on the output.

An external TTL pulse is required to trigger the instrument.

This instrument is intended for use in research, development, test and calibration laboratories by qualified personnel.

SPECIFICATIONS & ORIGINAL QUOTATION

Fax No:	Sender's Fax: 613-226-2802
File:	Receiver's Fax:
To: Univ. of Houston	Receiver's Phone:
Dept. of Chemical Engineering	Date: Nov. 21, 2005
Attn: Lin Xu , linxu1971@hotmail.com	Number of pages: 2, including cover
Subject: Price & Delivery for AVR-3-PS-P-UHF	

Lin,

I am pleased to quote, again, with a slightly higher power rating and a shut-off feature in the current limit circuit:

Quote number:	13030
Model number:	AVR-3-PS-P-UHF
Description:	Externally-Triggered High-Voltage Pulse Generator
Output amplitude:	0 to +200V, adjustable using a front-panel ten-turn dial.
Required load:	Resistance (RL) > 500 Ohms, capacitance (CL) < 20 nF.
Output impedance (in series with output):	< 1 Ohm
Rise and fall times (20%-80%):	< 1 us
Maximum pulse repetition frequency:	5 kHz
Maximum duty cycle:	57.5%
Pulse width range:	2-200 us (defined by input trigger pulse)

Voltage stability after 2 us: +/- 1 Volt, when tested in a load consisting of a 500 Ohm resistance in parallel with a 20 nF capacitance on the end of a 24" inch length of coaxial cable.

Maximum average power out, given by
(Duty Cycle x V_{OUT}^2 / R_L) + (PRF x CL x V_{OUT}^2): 50 Watts.

Trigger required: The instrument must be triggered by an externally generated TTL pulse. Each input pulse will trigger one output pulse. The output pulse width will be approximately equal to the input pulse width. The input impedance of the trigger input is 50 Ohms.

Short-circuit protection and current limit: The output is current-limited at 7.5 Amps, approximately. The output will be shut off if the current limit is active for longer than 5 us, approximately, to protect the instrument from short-circuits. The instrument will not be damaged by short circuits to ground on the output.

Power requirement: 100-240V, 50-60 Hz. (No DC power supplies are required; the high voltages supplying the output stage are generated internally.)

Price: \$6898 US each, FOB destination (includes 5% academic discount).

Quote valid for: 60 days

Estimated delivery: 60 days after receipt of order.

Regards

Dr. Michael J. Chudobiak
Chief Engineer

EUROPEAN REGULATORY NOTES

EC DECLARATION OF CONFORMITY

We Avtech Electrosystems Ltd.
P.O. Box 5120, LCD Merivale
Ottawa, Ontario
Canada K2C 3H4

declare that this pulse generator meets the intent of Directive 89/336/EEC for Electromagnetic Compatibility. Compliance pertains to the following specifications as listed in the official Journal of the European Communities:

EN 50081-1 Emission

EN 50082-1 Immunity

and that this pulse generator meets the intent of the Low Voltage Directive 72/23/EEC as amended by 93/68/EEC. Compliance pertains to the following specifications as listed in the official Journal of the European Communities:

EN 61010-1:2001 Safety requirements for electrical equipment for measurement, control, and laboratory use



DIRECTIVE 2002/95/EC (RoHS)

This instrument is exempt from Directive 2002/95/EC of the European Parliament and of the Council of 27 January 2003 on the Restriction of the use of certain Hazardous Substances (RoHS) in electrical and electronic equipment. Specifically, Avtech instruments are considered "Monitoring and control instruments" (Category 9) as defined in Annex 1A of Directive 2002/96/EC. The Directive 2002/95/EC only applies to Directive 2002/96/EC categories 1-7 and 10, as stated in the "Article 2 - Scope" section of Directive 2002/95/EC.

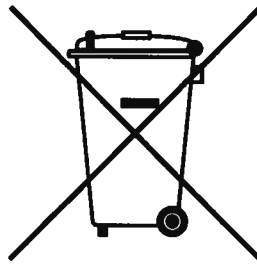
DIRECTIVE 2002/96/EC (WEEE)

European customers who have purchased this equipment directly from Avtech will have completed a "WEEE Responsibility Agreement" form, accepting responsibility for

WEEE compliance (as mandated in Directive 2002/96/EC of the European Union and local laws) on behalf of the customer, as provided for under Article 9 of Directive 2002/96/EC.

Customers who have purchased Avtech equipment through local representatives should consult with the representative to determine who has responsibility for WEEE compliance. Normally, such responsibilities will lie with the representative, unless other arrangements (under Article 9) have been made.

Requirements for WEEE compliance may include registration of products with local governments, reporting of recycling activities to local governments, and financing of recycling activities.



INSTALLATION

VISUAL CHECK

After unpacking the instrument mainframe and the transformer module, examine to ensure that they have not been damaged in shipment. Visually inspect all connectors, knobs, and handles. Confirm that a power cord and an instrumentation manual (this manual), are with the instrument. If the instrument has been damaged, file a claim immediately with the company that transported the instrument.

POWER RATINGS


This instrument is intended to operate from 100 - 240 V, 50 - 60 Hz.

The maximum power consumption is 125 Watts. Please see the "FUSES" section for information about the appropriate AC and DC fuses.

This instrument is an "Installation Category II" instrument, intended for operation from a normal single-phase supply.

CONNECTION TO THE POWER SUPPLY


An IEC-320 three-pronged recessed male socket is provided on the back panel for AC power connection to the instrument. One end of the detachable power cord that is supplied with the instrument plugs into this socket. The other end of the detachable power cord plugs into the local mains supply. Use only the cable supplied with the instrument. The mains supply must be earthed, and the cord used to connect the instrument to the mains supply must provide an earth connection. (The supplied cord does this.)

 **Warning:** Failure to use a grounded outlet may result in injury or death due to electric shock. This product uses a power cord with a ground connection. It must be connected to a properly grounded outlet. The instrument chassis is connected to the ground wire in the power cord.

The table below describes the power cord that is normally supplied with this instrument, depending on the destination region:

Destination Region	Description	Manufacturer	Part Number
Continental Europe	European CEE 7/7 "Schuko" 230V, 50Hz	Volex (http://www.volex.com)	17850-C3-326
		Qualtek (http://www.qualtekusa.com)	319004-T01
United Kingdom	BS 1363, 230V, 50Hz	Qualtek (http://www.qualtekusa.com)	370001-E01
Switzerland	SEV 1011, 2 30V, 50Hz	Volex (http://www.volex.com)	2102H-C3-10
Israel	SI 32, 220V, 50Hz	Volex (http://www.volex.com)	2115H-C3-10
North America, and all other areas	NEMA 5-15, 120V, 60 Hz	Qualtek (http://www.qualtekusa.com)	312007-01

PROTECTION FROM ELECTRIC SHOCK

 Operators of this instrument must be protected from electric shock at all times. The owner must ensure that operators are prevented access and/or are insulated from every connection point. In some cases, connections must be exposed to potential human contact. Operators must be trained to protect themselves from the risk of electric shock. This instrument is intended for use by qualified personnel who recognize shock hazards and are familiar with safety precautions required to avoid possibly injury. In particular, operators should:

1. Keep exposed high-voltage wiring to an absolute minimum.
2. Wherever possible, use shielded connectors and cabling.
3. Connect and disconnect loads and cables only when the instrument is turned off.
4. Keep in mind that all cables, connectors, oscilloscope probes, and loads must have an appropriate voltage rating.
5. Do not attempt any repairs on the instrument, beyond the fuse replacement procedures described in this manual. Contact Avtech technical support (see page 2 for contact information) if the instrument requires servicing. Service is to be performed solely by qualified service personnel.

ENVIRONMENTAL CONDITIONS

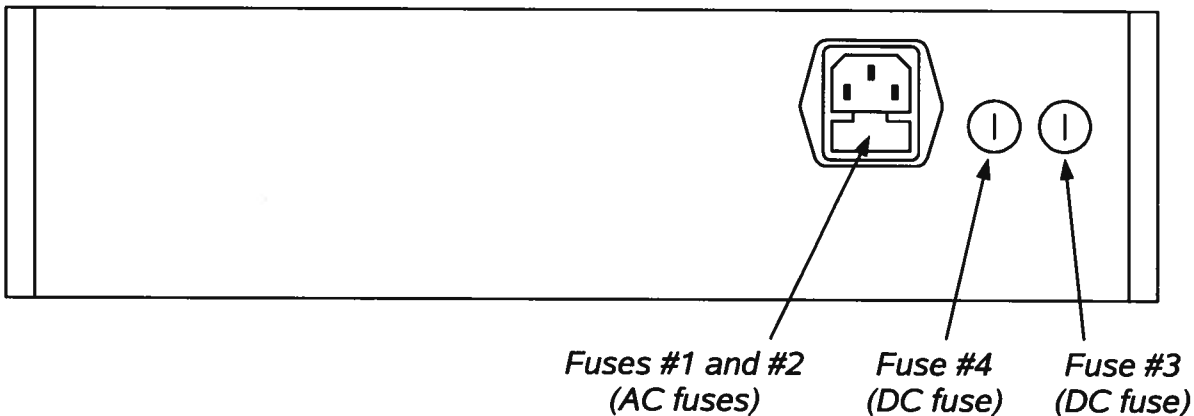
This instrument is intended for use under the following conditions:

- a) indoor use;
- b) altitude up to 2 000 m;
- c) temperature 5 °C to 40 °C;

- d) maximum relative humidity 80 % for temperatures up to 31 °C decreasing linearly to 50 % relative humidity at 40 °C;
- e) Mains supply voltage fluctuations up to ± 10 % of the nominal voltage;
- f) no pollution or only dry, non-conductive pollution.

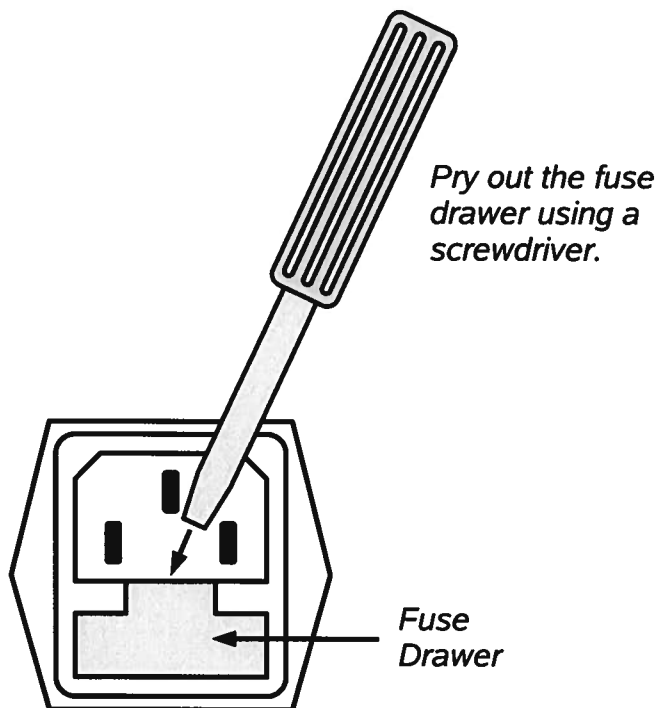
FUSES

This instrument contains four fuses. All are accessible from the rear-panel. Two protect the AC prime power input, and two protect the internal DC power supplies. The locations of the fuses on the rear panel are shown in the figure below:



AC FUSE REPLACEMENT

To physically access the AC fuses, the power cord must be detached from the rear panel of the instrument. The fuse drawer may then be extracted using a small flat-head screwdriver, as shown below:



DC FUSE REPLACEMENT

The DC fuses may be replaced by inserting the tip of a flat-head screwdriver into the fuse holder slot, and rotating the slot counter-clockwise. The fuse and its carrier will then pop out.

FUSE RATINGS

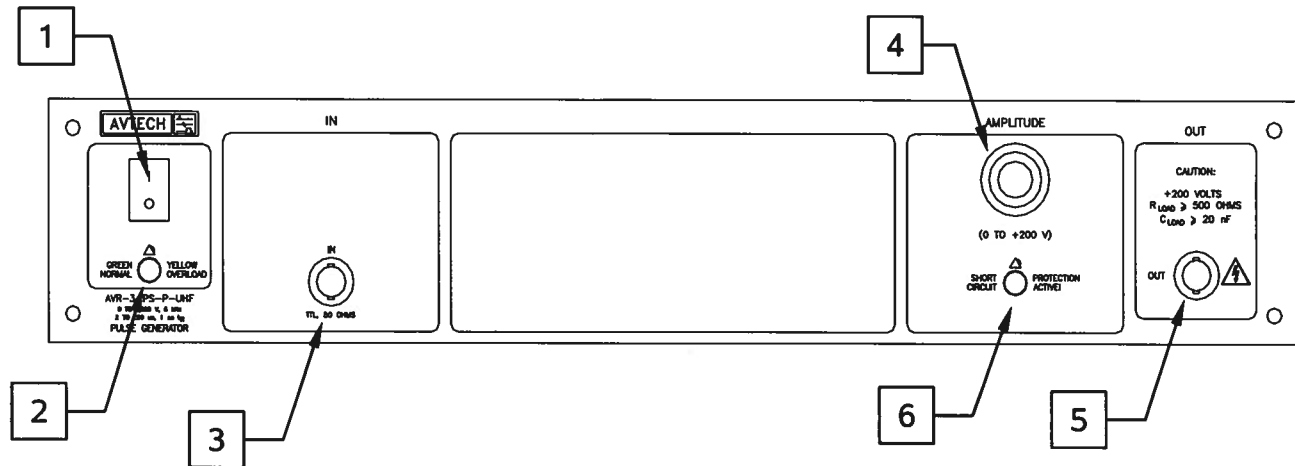
The following table lists the required fuses:

Fuses	Nominal Mains Voltage	Rating	Case Size	Recommended Replacement Part	
				Littelfuse Part Number	Digi-Key Stock Number
#1, #2 (AC)	115 V	1.6A, 250V, Time-Delay	5×20 mm	021801.6HXP	F2424-ND
	230 V	0.8A, 250V, Time-Delay	5×20 mm	0218.800HXP	F2418-ND
#3 (DC)	N/A	4.0A, 250V, Time-Delay	5×20 mm	0218004.HXP	F2421-ND
#4 (DC)	N/A	4.0A, 250V, Time-Delay	5×20 mm	0218004.HXP	F2421-ND

The recommended fuse manufacturer is Littelfuse (<http://www.littelfuse.com>).


Replacement fuses may be easily obtained from Digi-Key (<http://www.digikey.com>) and other distributors.

FRONT PANEL CONTROLS



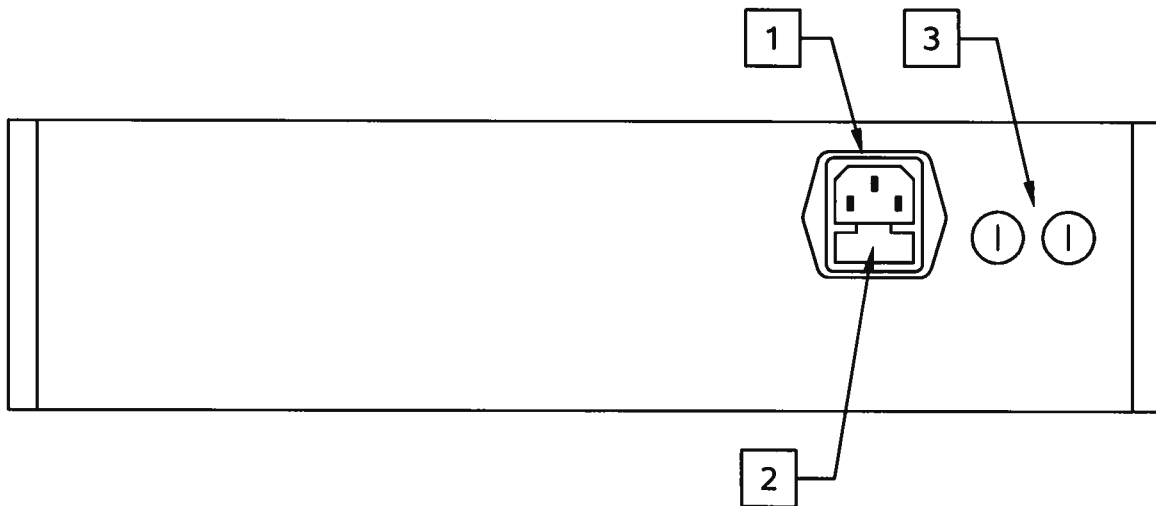
- 1) **POWER Switch**. This is the main power switch. When turning the instrument on, there may be a delay of several seconds before the instrument appears to respond.
- 2) **OVERLOAD Indicator**. When the instrument is powered, this indicator is normally green, indicating normal operation. If this indicator is yellow, an internal automatic overload protection circuit has been tripped. If the unit is overloaded (by operating at an exceedingly high duty cycle or by operating into a very low impedance), the protective circuit will disable the output of the instrument and turn the indicator light yellow. The light will stay yellow (i.e. output disabled) for about 5 seconds after which the instrument will attempt to re-enable the output (i.e. light green) for about 1 second. If the overload condition persists, the output will be disabled again (i.e. light yellow) for another 5 seconds. If the overload condition has been removed, the instrument will resume normal operation.

This overload indicator may flash yellow briefly at start-up. This is not a cause for concern.
- 3) **IN Connector**. The instrument is triggered by a TTL pulse applied to this connector. The pulse width must be in the range of 2 to 200 us, the pulse repetition frequency must be 5 kHz or less, and the duty cycle must be 57.5% or less. The input impedance is 50 Ohms. The output pulse width is approximately equal to the input pulse width.
- 4) **AMPLITUDE Control**. This dial controls the pulse amplitude.
- 5) **OUT Connector**. This connector provides the main output signal, into load resistances of 500Ω or higher, and/or capacitances of 20 nF or lower. The output pulse width is approximately equal to the input pulse width.
- 6) **SHORT CIRCUIT Indicator**. The main output is current-limited to 7 Amps, approximately. If the current limit is activated for a duration exceeding 5 us,



approximately, the output will be disabled for 3 seconds, and this indicator will light. The protective disabling will repeat as long as the over-current condition persists. The instrument will not be damaged by short circuits to ground on the output.

REAR PANEL CONTROLS



1. **AC POWER INPUT.** An IEC-320 C14 three-pronged recessed male socket is provided on the back panel for AC power connection to the instrument. One end of the detachable power cord that is supplied with the instrument plugs into this socket.
2. **AC FUSE DRAWER.** The two fuses that protect the AC input are located in this drawer. Please see the “FUSES” section of this manual for more information.
3. **DC FUSES.** These two fuses protect the internal DC power supplies. Please see the “FUSES” sections of this manual for more information.

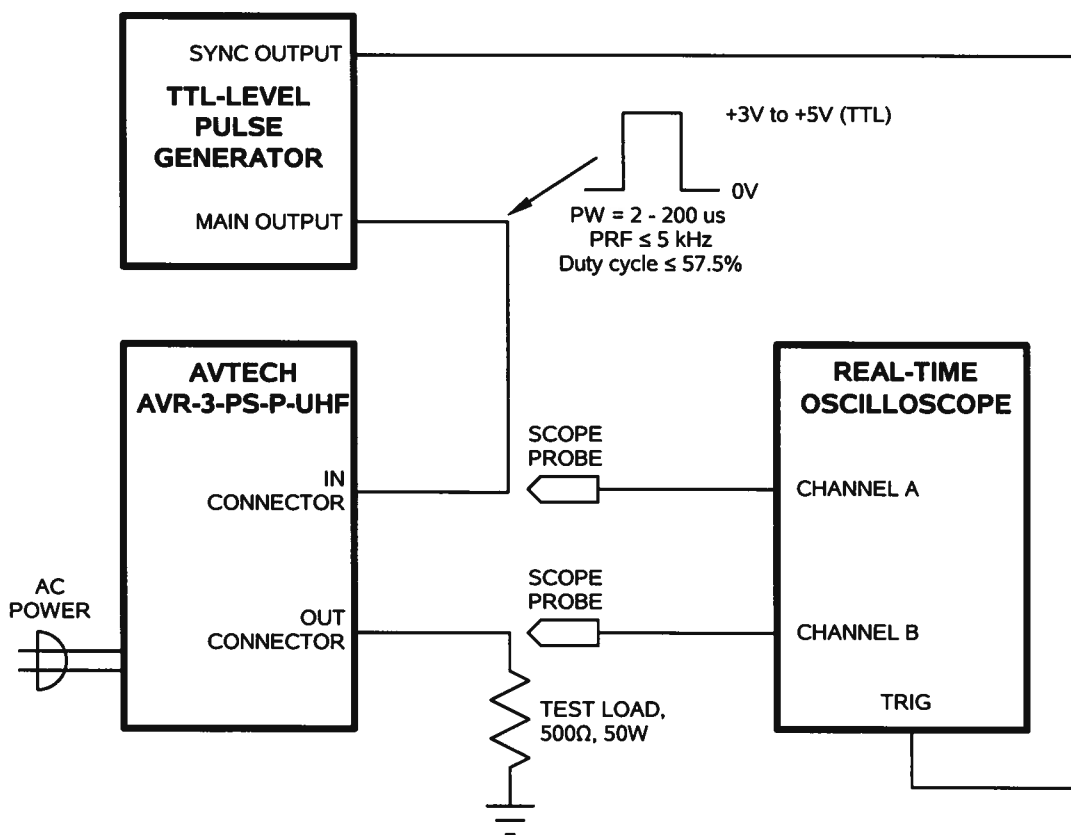
GENERAL INFORMATION

BASIC TEST ARRANGEMENT

A typical test arrangement for the AVR-3-PS-P-UHF is shown below. The load resistor must have a voltage rating of at least 200V. The power dissipated in the resistor is given by:

$$P = (V^2 / R) \times (PW / T) = (V^2 / R) \times PW \times f$$

where "V" is the output voltage, "R" is the load resistance, "PW" is the pulse width, and "T" is the pulse period (1/frequency), and "f" is the frequency. If a 500 Ω resistor is used, the worst-case power dissipation is approximately 50 Watts. Factory tests are conducted using twenty 10 k Ω , 2W resistors connected in parallel combination to make a 500 Ω , 40W composite load. Fan cooling the resistors allows for slightly higher power dissipation. (Ohmite "OY" ceramic composition resistors - <http://www.ohmite.com> - are recommended for such applications. These resistors are readily available from <http://www.digi-key.com/> and other distributors.)



PROTECTING YOUR INSTRUMENT

TURN OFF INSTRUMENT WHEN NOT IN USE

The lifetime of the switching elements in the pulse generator module is proportional to the running time of the instrument. For this reason the prime power to the instrument should be turned off when the instrument is not in use. In the case of failure, the switching elements are easily replaced following the procedure described in a following section.

TURN OFF INSTRUMENT DURING SHORT CIRCUITS

A “Short Circuit” indicator is located near the output connector. If this indicator is lit, the load impedance is not correct. Turn off the instrument and correct the load condition.

(The output is designed to protect itself indefinitely under short circuit conditions, but for maximum instrument longevity, short circuit conditions should not be allowed to persist.)

DO NOT EXCEED 5 kHz

The output stage may be damaged if triggered by an external signal at a pulse repetition frequency greater than 5 kHz.


USE LOW-INDUCTANCE LOADS

Lenz’s Law predicts that for an inductive voltage spike will be generated when the current through an inductance changes. Specifically, $V_{\text{SPIKE}} = L \times dI_{\text{LOAD}}/dt$, where L is the inductance, I_{LOAD} is the load current change, and t is time. For this reason, it is important to keep any parasitic in the load low. This means keeping wiring short, and using low inductance components. In particular, wire-wound resistors should be avoided.

MECHANICAL INFORMATION

TOP COVER REMOVAL

If necessary, the interior of the instrument may be accessed by removing the four Phillips screws on the top panel. With the four screws removed, the top cover may be slid back (and off).

 Always disconnect the power cord and allow the instrument to sit unpowered for 10 minutes before opening the instrument. This will allow any internal stored charge to discharge.

There are no user-adjustable internal circuits. For repairs other than fuse replacement, please contact Avtech (info@avtechpulse.com) to arrange for the instrument to be returned to the factory for repair. Service is to be performed solely by qualified service personnel.

 Caution: High voltages are present inside the instrument during normal operation. Do not operate the instrument with the cover removed.

RACK MOUNTING

A rack mounting kit is available. The -R5 rack mount kit may be installed after first removing the one Phillips screw on the side panel adjacent to the front handle.

ELECTROMAGNETIC INTERFERENCE

To prevent electromagnetic interference with other equipment, all used outputs should be connected to shielded loads using shielded coaxial cables. Unused outputs should be terminated with shielded coaxial terminators or with shielded coaxial dust caps, to prevent unintentional electromagnetic radiation. All cords and cables should be less than 3m in length.

MAINTENANCE

REGULAR MAINTENANCE

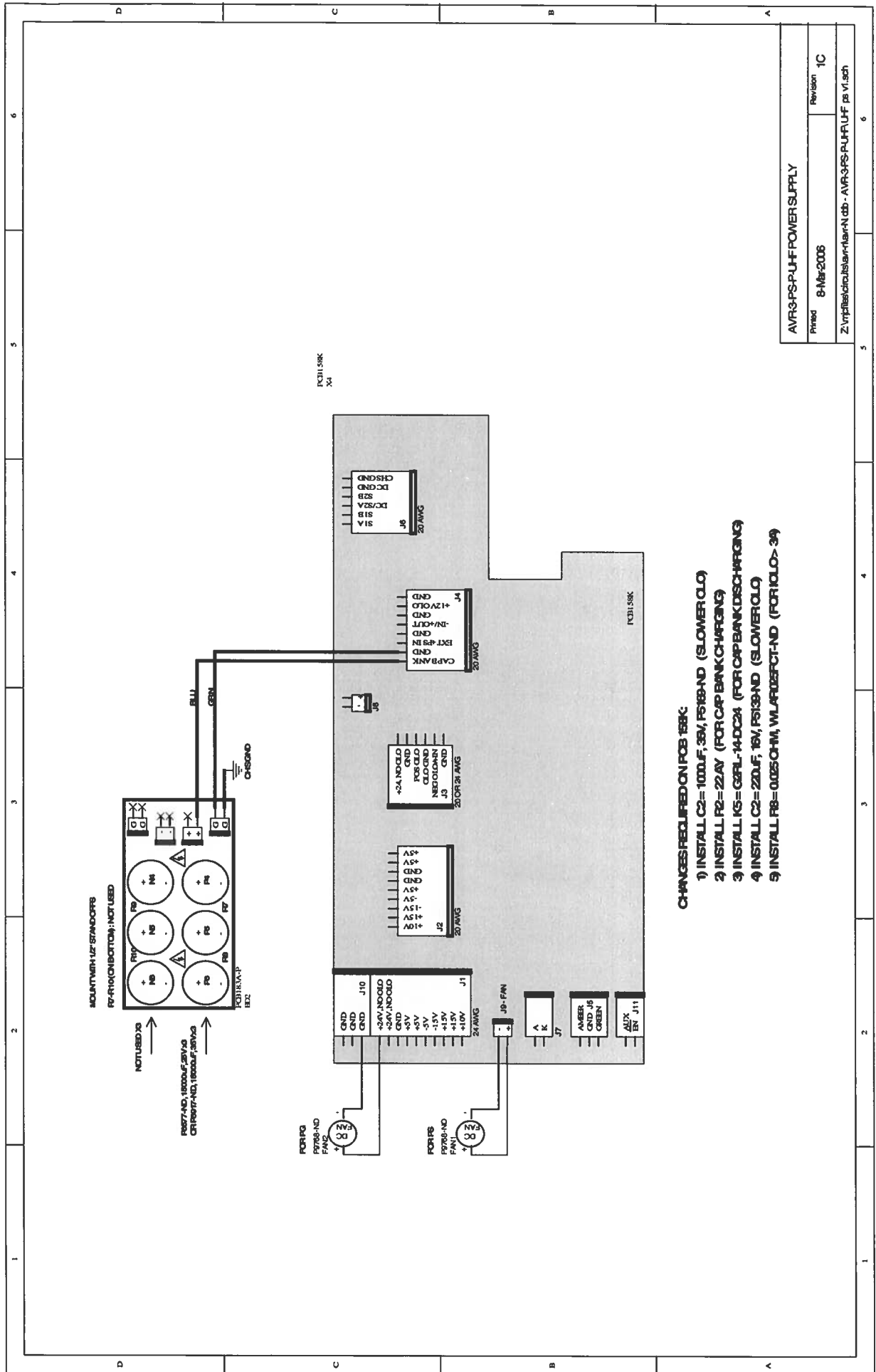
This instrument does not require any regular maintenance.

On occasion, one or more of the four rear-panel fuses may require replacement. All fuses can be accessed from the rear panel. See the "FUSES" section for details.

CLEANING

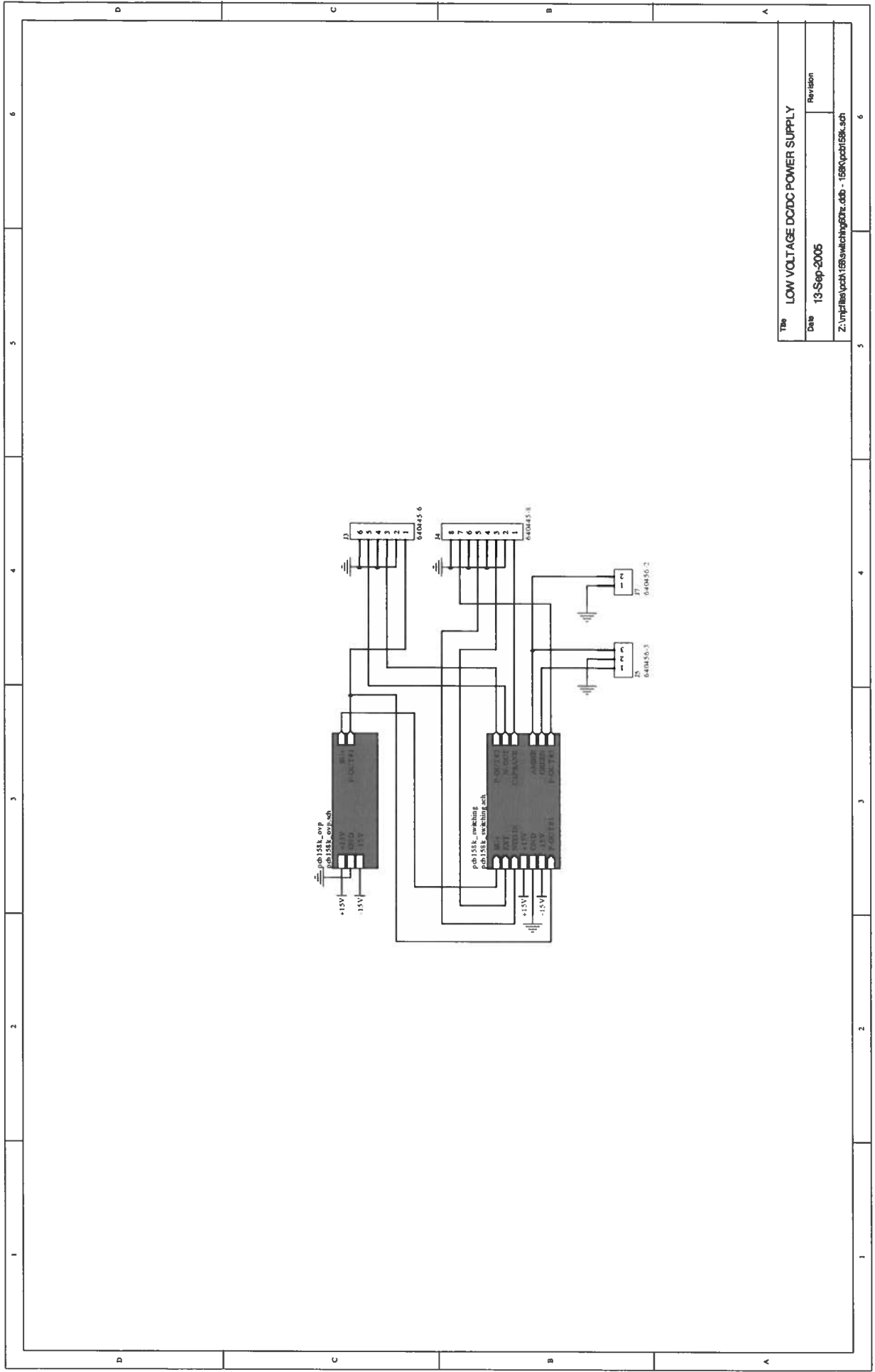
If desired, the interior of the instrument may be cleaned using compressed air to dislodge any accumulated dust. (See the "TOP COVER REMOVAL" section for instructions on accessing the interior.) No other cleaning is recommended.

WIRING OF AC POWER, 2/2



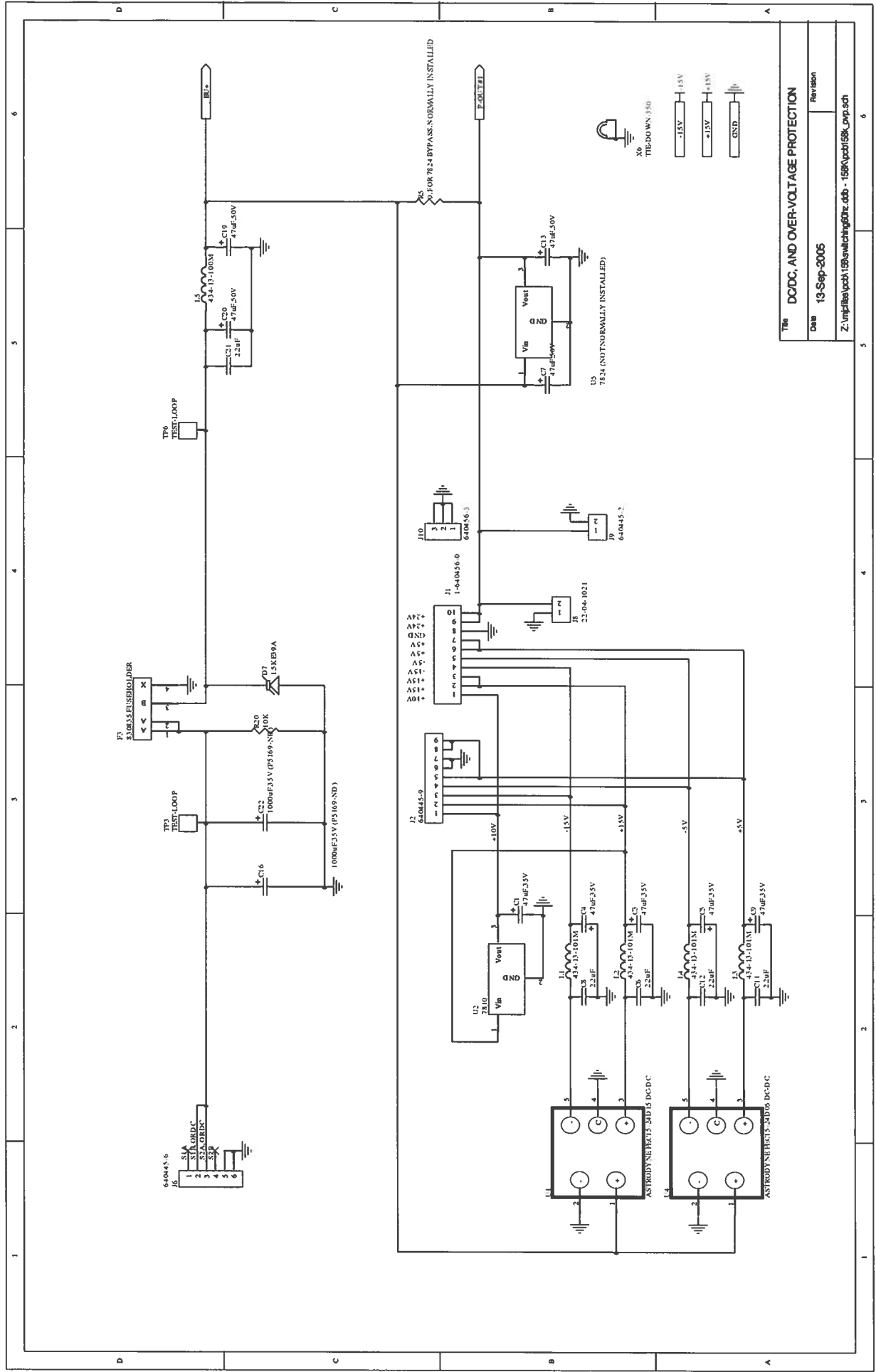
- CHANGES REQUIRED ON JOB 158K:**
- 1) INSTALL C2= 1000UF, 35V, P5189-ND (SLOWER CLO)
 - 2) INSTALL R2= 220V (FOR CAP BANK CHARGING)
 - 3) INSTALL K5= GERL-14-DC24 (FOR CAP BANK DISCHARGING)
 - 4) INSTALL C2= 220UF, 16V, P5139-ND (SLOWER CLO)
 - 5) INSTALL R8= 0.05C-1M, WLA1R05EFT-ND (FOR I/O)-39

PCB 158K - LOW VOLTAGE POWER SUPPLY, 1/3



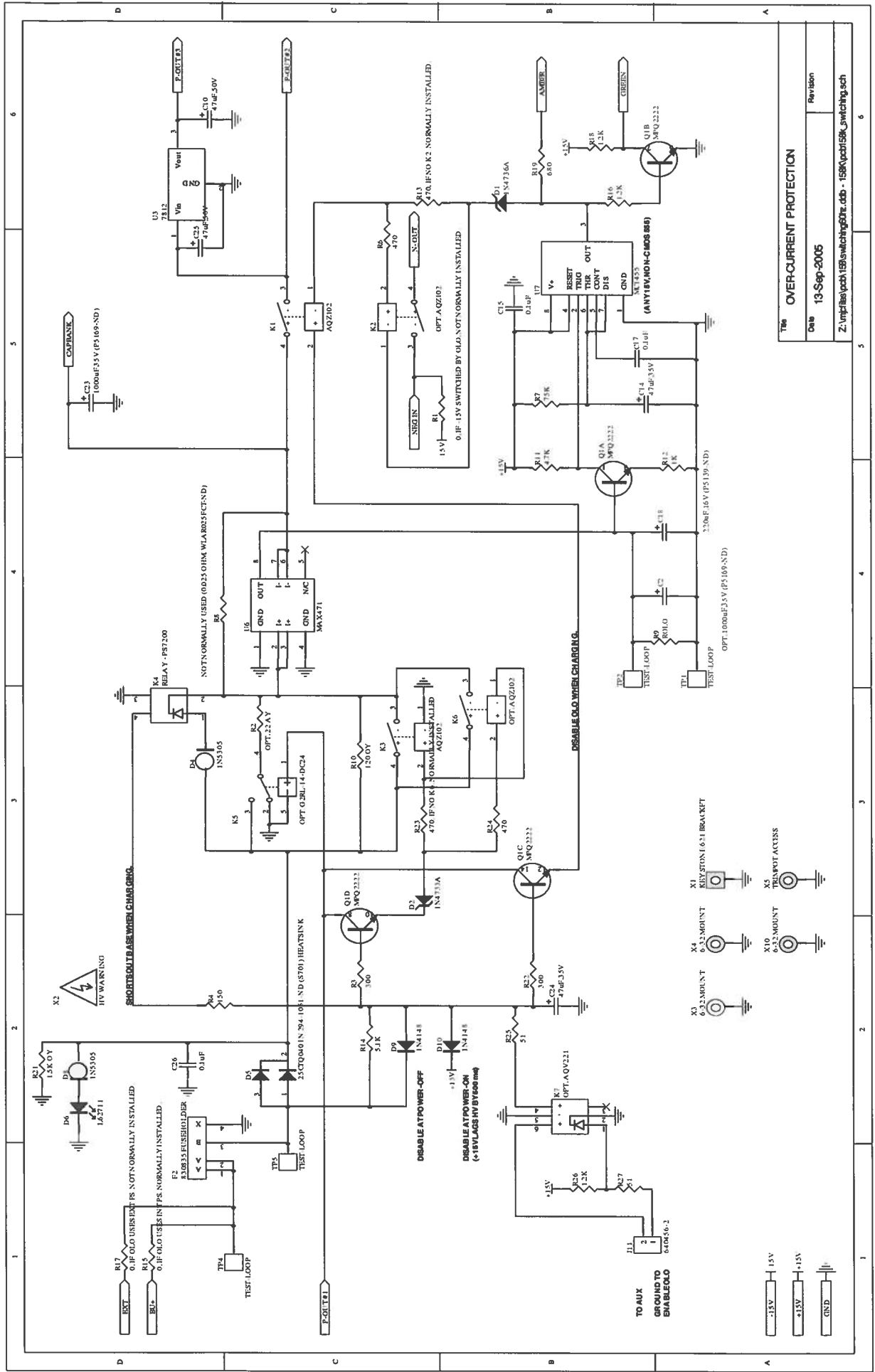
Title		LOW VOLTAGE DC/DC POWER SUPPLY
Date	13-Sep-2005	Revision
Z:\mp1\files\pcb158\switching02r.dwg - 158k\pcb158k.sch		6

PCB 158K - LOW VOLTAGE POWER SUPPLY, 2/3

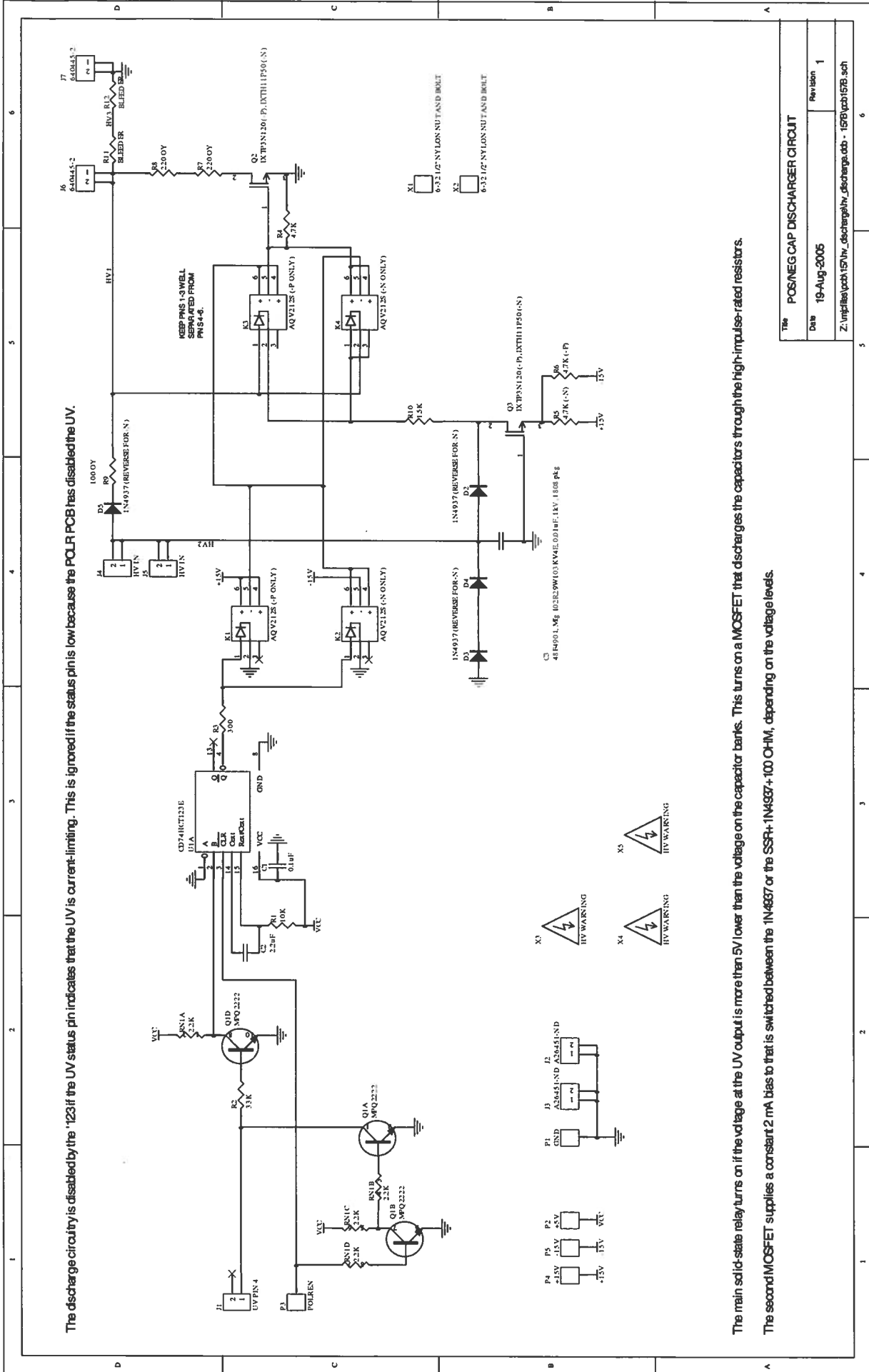


Title	
DC/DC, AND OVER-VOLTAGE PROTECTION	
Date	13-Sep-2005
Revision	
Z:\mp\files\pcb158\switchg03r.ddb - 158K\pcb158k.prs.sch	

PCB 158K - LOW VOLTAGE POWER SUPPLY, 3/3



PCB 157B - HIGH VOLTAGE DISCHARGE CIRCUIT



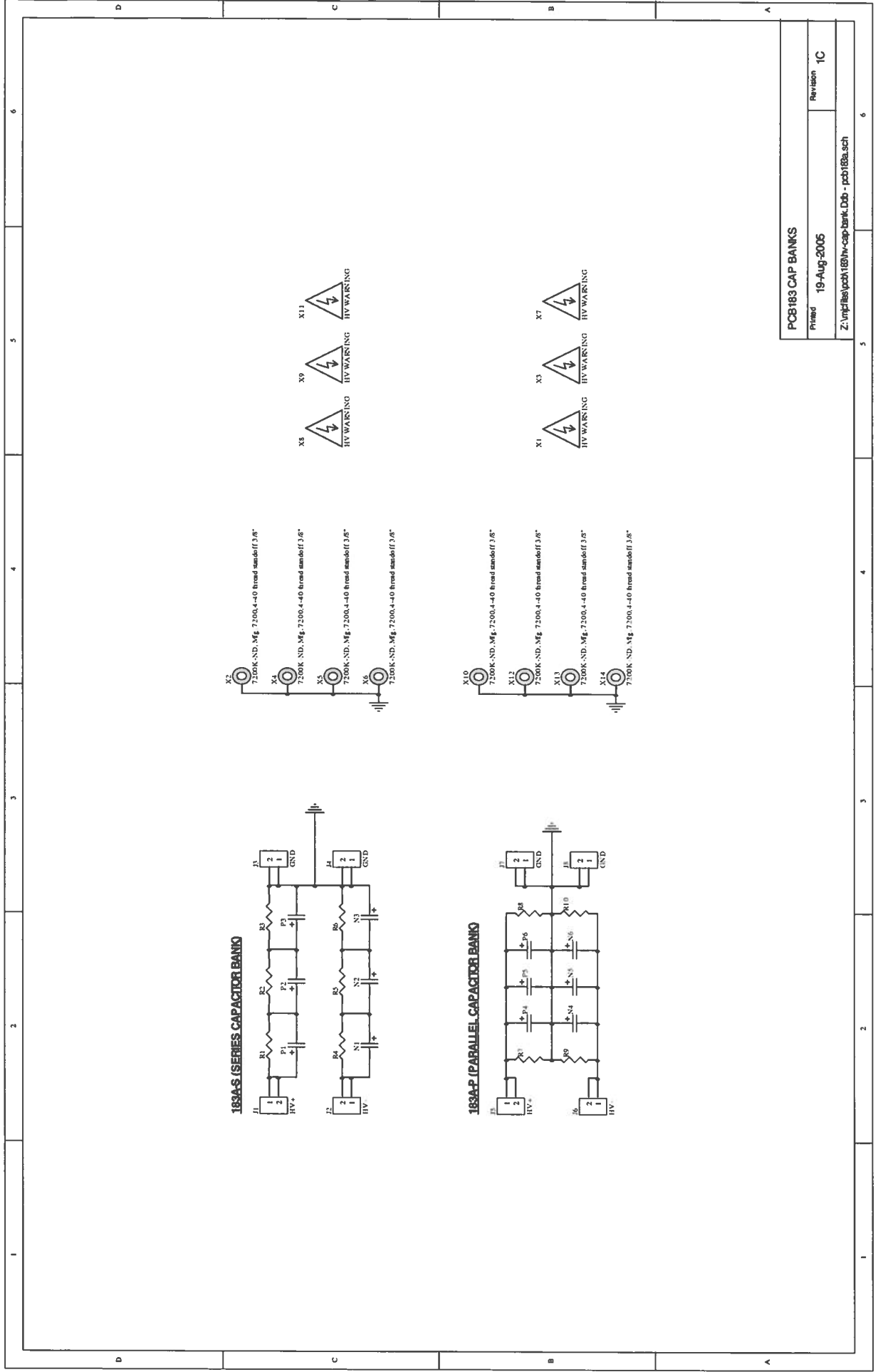
The discharge circuitry is disabled by the '123' if the UV status pin indicates that the UV is current-limiting. This is ignored if the status pin is low because the POLR PCB has disabled the UV.

The main solid-state relay turns on if the voltage at the UV output is more than 5V lower than the voltage on the capacitor banks. This turns on a MOSFET that discharges the capacitors through the high-impedance resistors.

The second MOSFET supplies a constant 2 mA bias to that is switched between the '1N4637 or the SSR+1N4637+100 Ohm, depending on the voltage levels.

The POS/NEG CAP DISCHARGER CIRCUIT	
Date	Revision 1
Z:\unifiles\pcb157bv_discharge\hr_discharge.dwg - I57B\pcb157B.sch	

PCB 183A-S AND 183A-P CAPACITOR BANKS



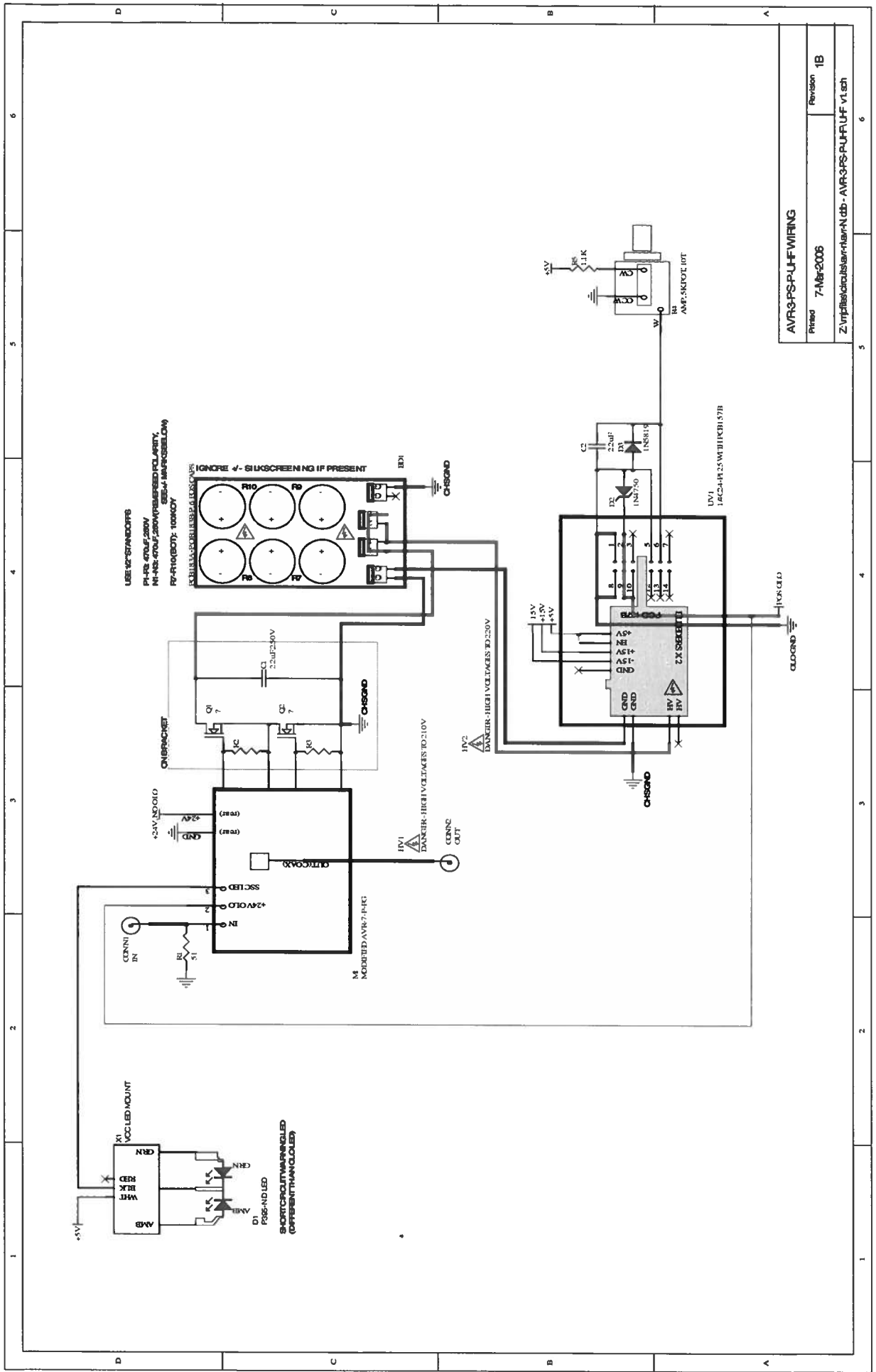
PCB183 CAP BANKS

Printed 19-Aug-2005

Revision 1C

Z:\mptfiles\pcb183\hv-cap-bank.Ddb - pcb183a.sch

MAIN WIRING



Mark 8/06