

AVTECH ELECTROSYSTEMS LTD.

**NANOSECOND WAVEFORM ELECTRONICS
ENGINEERING . MANUFACTURING**

□ P.O. BOX 265
OGDENSBURG
NEW YORK
13669
(315) 472-5270

Y □ BOX 5120 STN. "F"
OTTAWA, ONTARIO
CANADA K2C 3H4
(613) 226-5772
TELEX 053-4591

INSTRUCTIONS

MODEL AVR-B1-C-W-PN-M2 PULSE GENERATOR

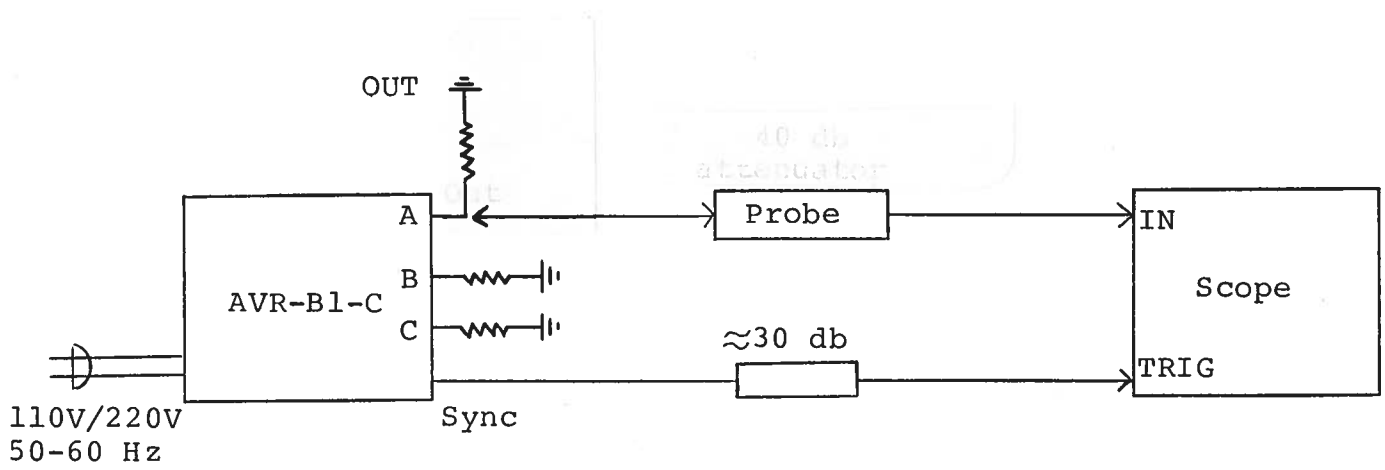
S.N.:

WARRANTY

Avtech Electrosystems Ltd. warrants products of its manufacture to be free from defects in material and workmanship under conditions of normal use. If, within one year after delivery to the original owner, and after prepaid return by the original owner, this Avtech product is found to be defective, Avtech shall at its option repair or replace said defective item. This warranty does not apply to units which have been disassembled, modified or subjected to conditions exceeding the applicable specifications or ratings. This warranty is the extent of the obligation or liability assumed by Avtech with respect to this product and no other warranty or guarantee is either expressed or implied.

Fig. 1

PULSE GENERATOR TEST ARRANGEMENT

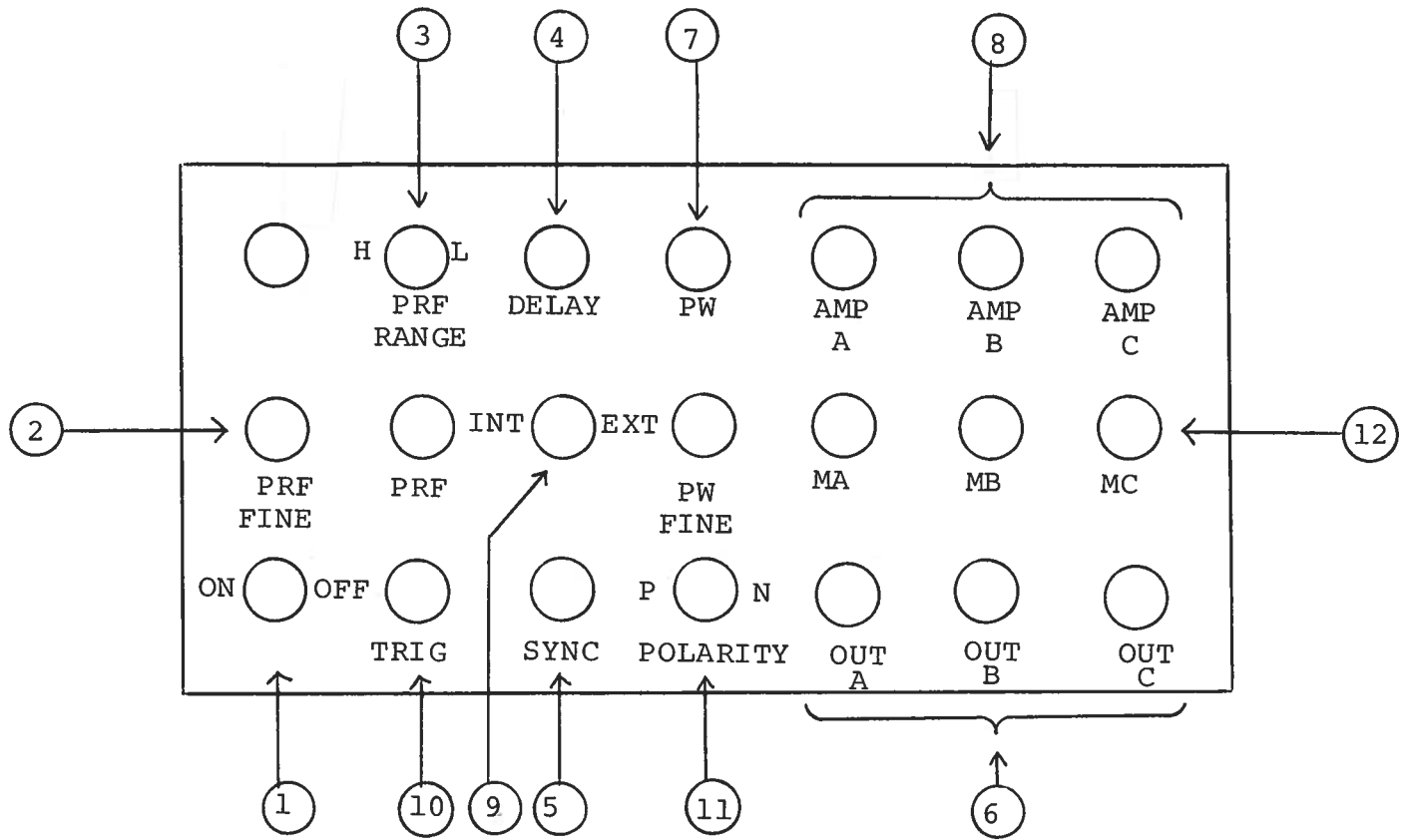


Notes:

- 1) The bandwidth capability of components and instruments used to display the pulse generator output signal (attenuators, cables, connectors, etc.) should exceed 50 MHz.
- 2) If a high impedance real time scope is used, the pulse generator should be terminated using a shunt 50 ohm resistor.
- 3) The sync output channel provides TTL level signals. To avoid overdriving the TRIG input channel of some scopes, a 30 db attenuator should be placed at the input to the scope trigger channel.
- 4) To obtain a stable output display the PW and PRF controls on the front panel should be set maximum counter-clockwise while the front panel PRF RANGE switch may be in either range. The front panel TRIG toggle switch should be in the INT position. The DELAY controls and the scope triggering controls are then adjusted to obtain a stable output. The scope may then be used to set the desired PRF by rotating the PRF control and by means of the PRF RANGE switch.
- 5) The output pulse width is controlled by means of the front panel one turn PW controls. The controls should initially be set maximum counter-clockwise and the pulse width adjusted using an oscilloscope.
- 6) The output pulse amplitude is controlled by means of the three front panel one turn AMP controls.
- 7) The output polarity is controlled by the front panel polarity switch.
- 8) An external clock may be used to control the output PRF of the AVR unit by setting the front panel TRIG toggle switch in the EXT position and applying a 0.2 usec (approx.) TTL level pulse to the TRIG BNC connector input. For operation in this mode, the scope time base must also be triggered by the external clock rather than from the SYNC output.
- 9) **CAUTION:** When used to drive a laser diode type load a fifty ohm resistor should be placed in series with the diode to define the pulse generator load and to limit the peak current. The output switching elements may fail if this resistor is omitted (see Repair Section).

Fig. 2

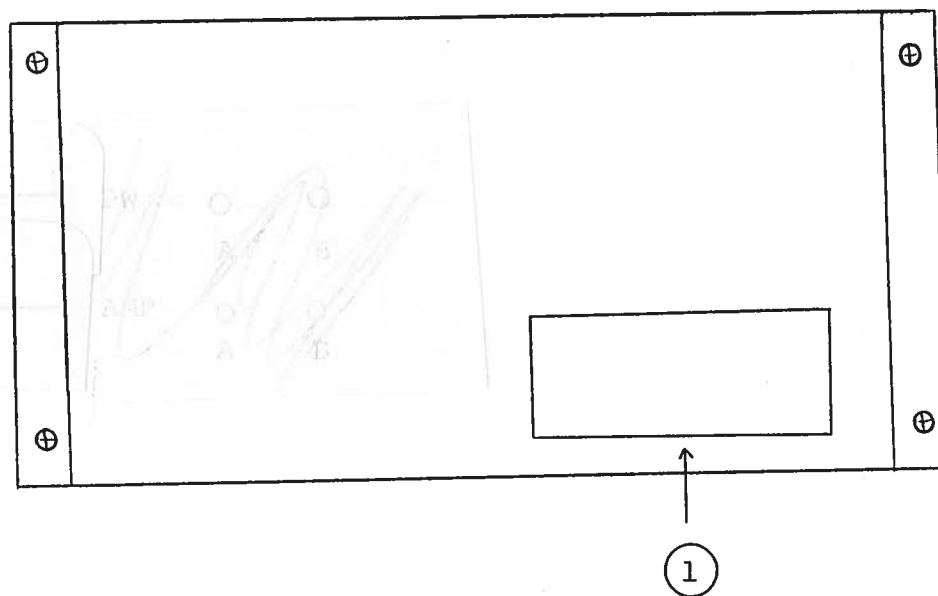
FRONT PANEL CONTROLS



- (1) ON-OFF Switch. Applies basic prime power to all stages.
- (2) PRF Control. With the PRF range switch in L position,
- (3) PRF control will vary PRF from 0.05 KHz to about 3 KHz. With the PRF RANGE switch in H position, varies PRF from about 0.5 KHz to about 30 KHz.
- (4) DELAY Control. Controls the relative delay between the reference output pulse provided at the SYNC output (5) the main output (6). This delay is variable over the range of 0 to at least 500 nsec.
- (5) SYNC Output. This output precedes the main output (6) and is used to trigger the scope time base. The output is a TTL level 100 nsec (approx.) pulse capable of driving a fifty ohm load. The relative delay between the SYNC output and the main output is variable from 0 to 500 nsec using the DELAY controls.
- (6) OUT Connector. BNC connector provides output to a fifty ohm load.
- (7) PW Control. A one turn control which varies the output pulse width from 100 nsec to 5 usec.
- (8) AMP Control. Three one turn controls which varies the output pulse amplitudes.
- (9) EXT-INT Control. With this toggle switch in the INT position, the PRF of the AVR unit is controlled via an internal clock which in turn is controlled by the PRF and PRF FINE controls. With the toggle switch in the EXT position, the AVR unit requires a 0.2 usec TTL level pulse applied at the TRIG input in order to trigger the output stages. In addition, in this mode, the scope time base must be triggered by the external trigger source.
- (10) TRIG Input. The external trigger signal is applied at this input when the EXT-INT toggle switch is in the EXT position.
- (11) POLARITY. Two position switch controls output pulse polarity (positive or negative).
- (12) MONITOR OUT (MA, MB, MC). Provides a x10 attenuated replica of the output pulse voltage to fifty ohms.

Fig. 3

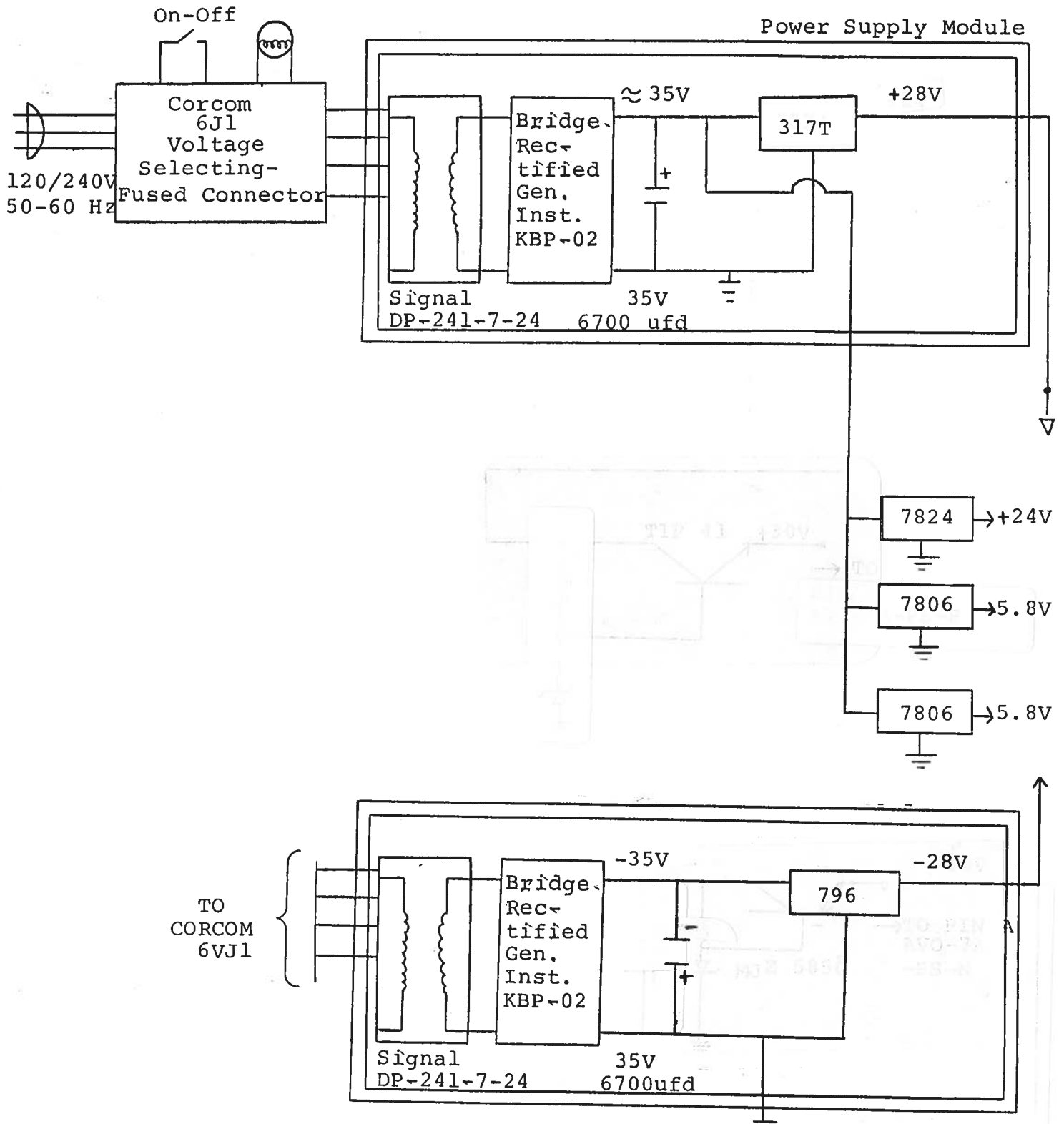
BACK PANEL CONTROLS

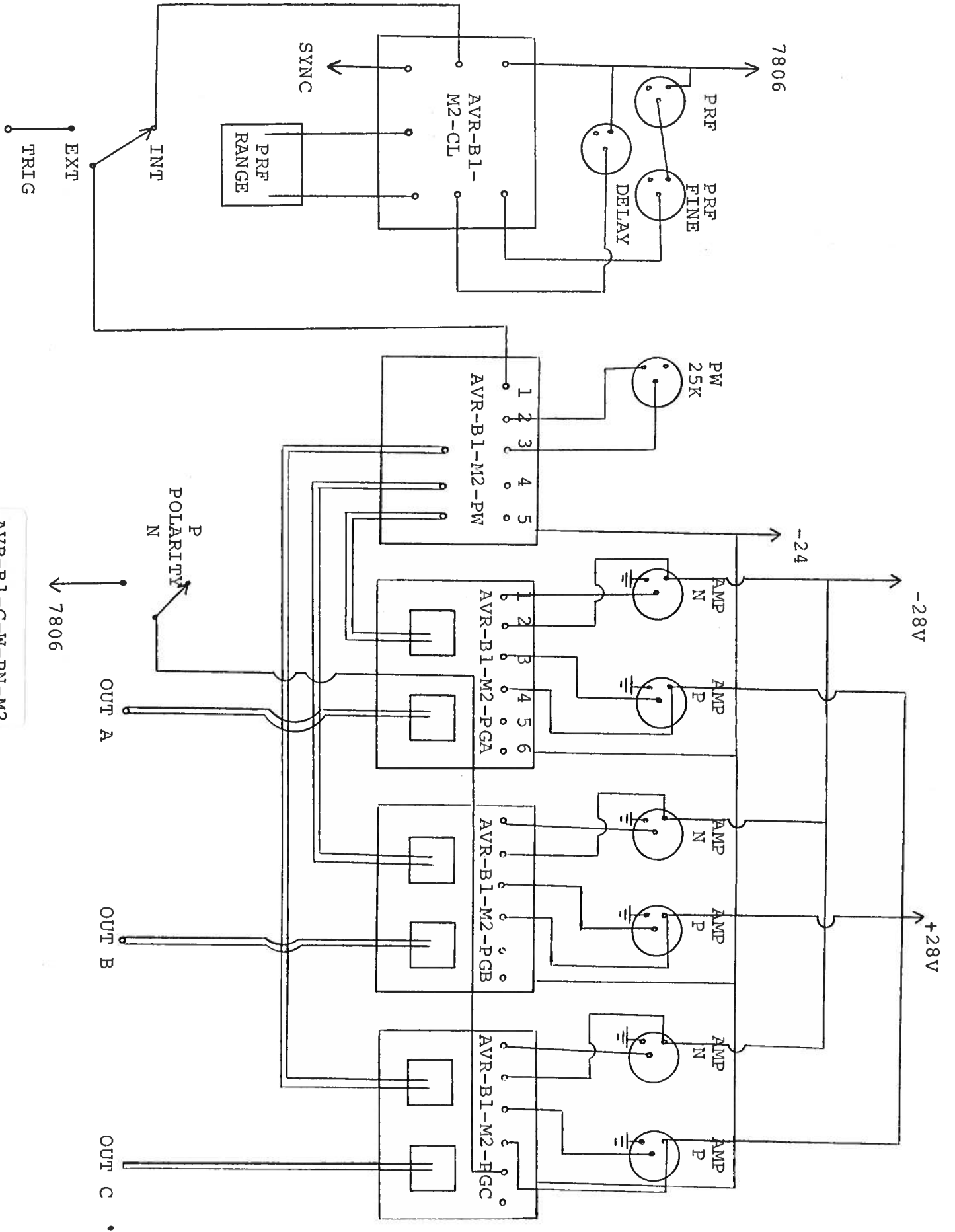


- (1) FUSED CONNECTOR. VOLTAGE SELECTOR. The detachable power cord is connected at this point. In addition, the removable cord is adjusted to select the desired input operating voltage. The unit also contains the main power fuse (0.5 Amp).

Fig. 4

SYSTEM BLOCK DIAGRAM (POWER SUPPLIES)





AVR-B1-C-W-PN-M2

SYSTEM DESCRIPTION AND REPAIR PROCEDURE

The AVR-B1-C consists of the following basic modules:

- 1) AVR-B1-M2-PG pulse generator module (three)
- 2) AVR-B1-CL clock module
- 3) +28V power supply board
- 4) -28V power supply board
- 5) AVR-B1-M2-PW pulse width module

The modules are interconnected as shown in Fig. 4. The clock module controls the output PRF and the relative delay between the main output and the SYNC outputs. The PW pulse generator modules generate the output pulse. In the event of an instrument malfunction, it is most likely that some of the output switching elements (SL6) may have failed due to an output short circuit condition or to a high duty cycle condition. The switching elements may be accessed by removing the cover plate on the bottom side of the instrument. NOTE: First turn off the prime power. The elements may be removed from their sockets by means of a needle nosed pliers. The SL6 is a selected VMOS power transistor in a TO 220 packages and may be checked on a curve tracer. If defective, replacement units should be ordered directly from Avtech. When replacing the SL6 switching elements, take care to insure that the short lead (of the three leads) is adjacent to the black dot on the chassis. If the switching elements are not defective, then the four Phillips screws on the back panel should be removed. The top cover may then be slid off and operation of the clock and power supply modules should be checked. The clock module is functioning properly if:

- a) 0.1 usec TTL level outputs are observed at pins 2 and 3.
- b) The PRF of the outputs can be varied over the range of 0.1 KHz to 30 KHz using the PRF & PRF FINE and PRF RANGE controls.
- c) The relative delay between the pin 2 and 3 outputs can be varied by at least 500 nsec by the DELAY controls.

The sealed modules must be returned to Avtech for repair or replacement if the above conditions are not observed.

Schroff 03.18.86

-M