



AVTECH ELECTROSYSTEMS LTD.

NANOSECOND WAVEFORM ELECTRONICS
SINCE 1975

□ P.O. BOX 265
OGDENSBURG, NY
U.S.A. 13669-0265
TEL: (315) 472-5270
FAX: (613) 226-2802

TEL: 1-800-265-6681
FAX: 1-800-561-1970
U.S.A. & CANADA

□ BOX 5120 STN. F
OTTAWA, ONTARIO
CANADA K2C 3H4
TEL: (613) 226-5772
FAX: (613) 226-2802

MODIFICATION INSTRUCTIONS

- Fig. 1 Original unit
- Fig. 2 MS-2: Coax switch locations
- Fig. 3 With wiggler (SU-1F) and MS 28 #7 switch
With replacement -T module
With TOF PIN 1 shunts
With Salia Pin 1 shunt

- ACTION:
- a) Replace face plate and drill 2 1/4" holes in face plate back plate and install switch and pot
 - b) Install wiggler chassis and MS 28 #7 and wire as shown
 - c) Replace -T module. Original -T module will eventually be returned to Avtech for modification
 - d) Add 51 Ohm, 680 shunt to PIN 1 of TOF modules
 - e) Add 1K shunt to PIN 1 of SALIA module

NOTE: Wiggler SU-1F always will "sound" when the OPERATE-SETUP switch is placed in the SETUP position but will provide an output only when A and C are both LOW.

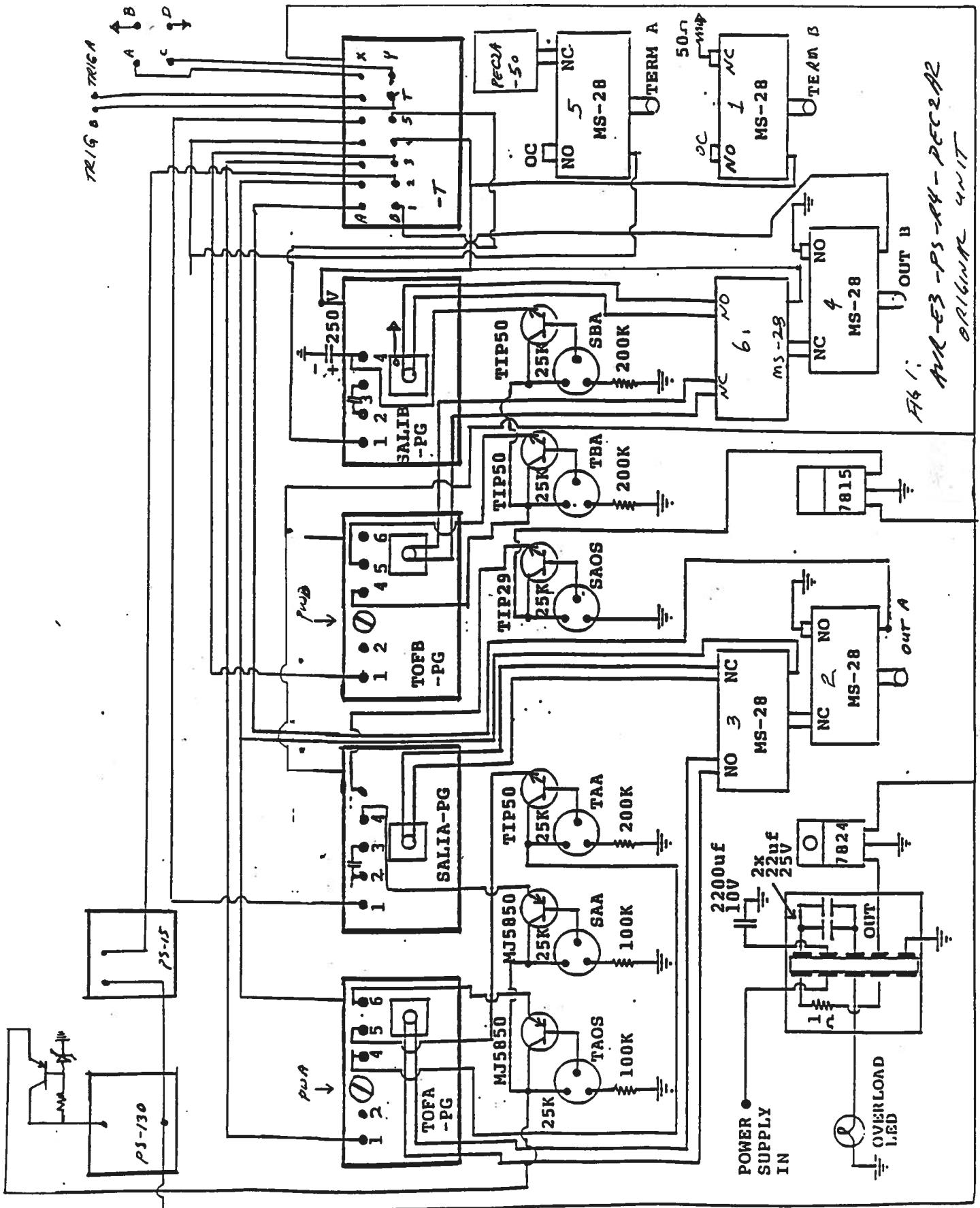


FIG. 1:
AM-ES-PS-15-PEC2A2
ORIGINAL UNIT

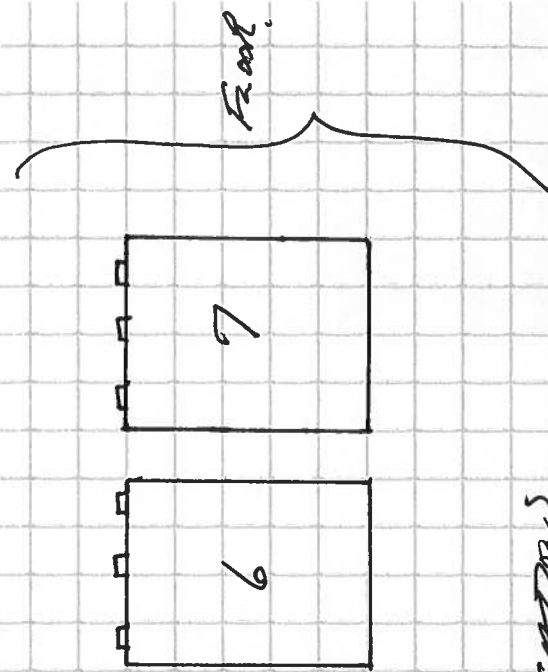
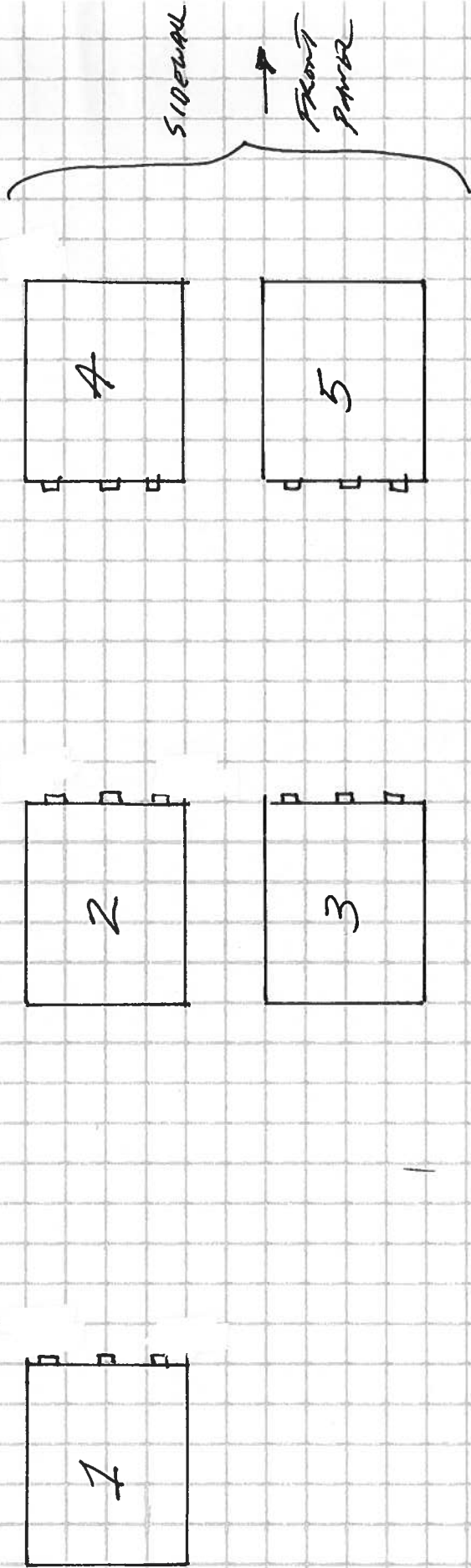


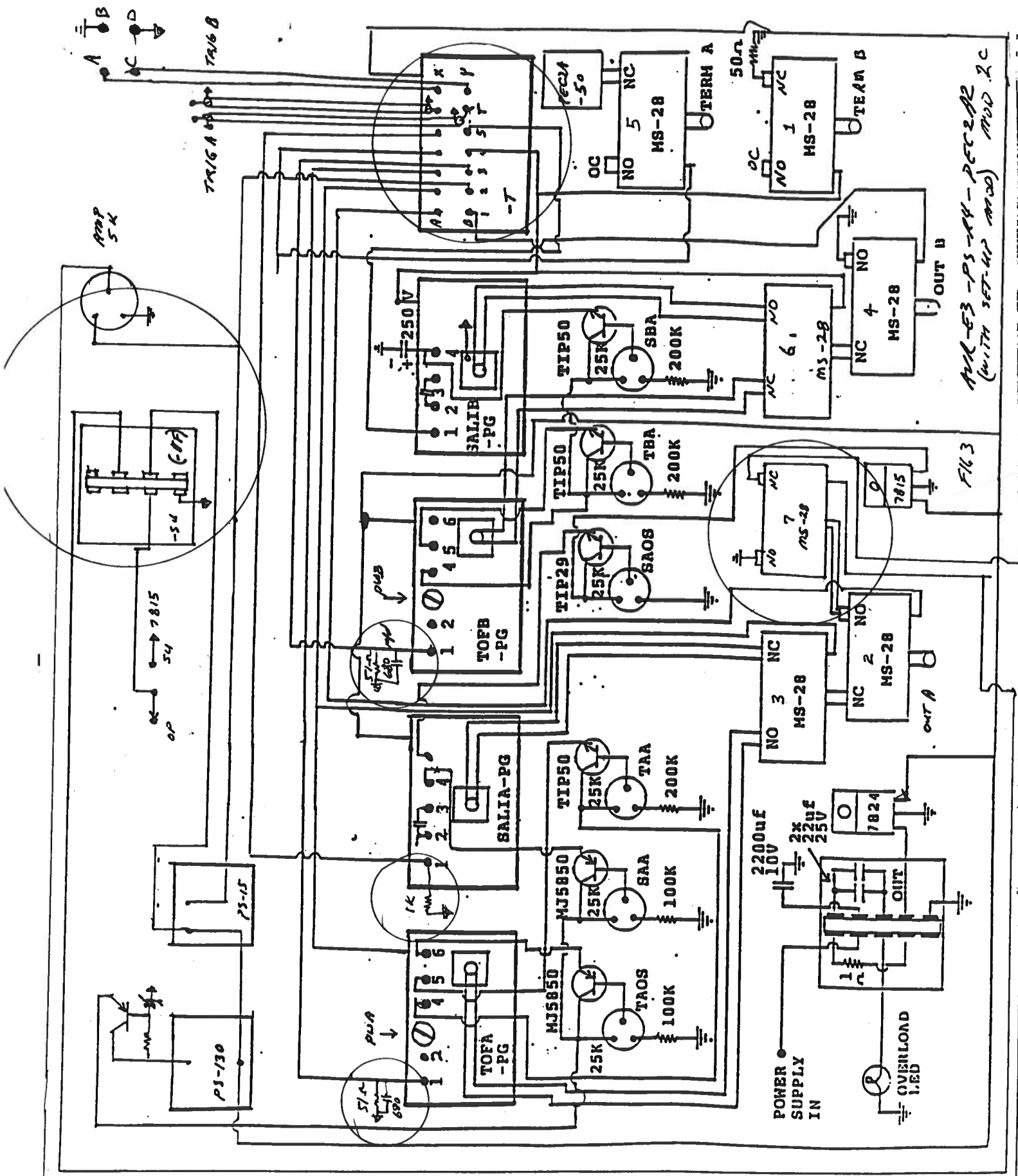
FIG 2: MS-28 SWITCH LOCATIONS

PNR-43-PS-PE-C2A2

FORM 1 F
(W/6226)

AMP-53-PS-44-PC22R2
(WITH SET-UP MOD) MOD. 2 C

FIG 3



AMP 54

TRIG A TRIG B

7815
54
OP

TOPB -PG

SALIA -PG

TIP50

TIP29

MJ5850

TAOS

SAA

TAA

SAOS

TBA

SBA

TIP50

SALIB -PG

250V

160A -50

MS-28

MS-28

MS-28

MS-28

MS-28

MS-28

MS-28

MS-28

MS-28

MS-28

MS-28

MS-28

MS-28

MS-28

MS-28

MS-28

MS-28

MS-28

MS-28

MS-28

MS-28

MS-28

MS-28

MS-28

MS-28

MS-28

MS-28

MS-28

MS-28

MS-28

MS-28

MS-28

MS-28

MS-28

MS-28

MS-28

MS-28

MS-28

MS-28

MS-28

MS-28

MS-28

MS-28

MS-28

MS-28

MS-28

MS-28

MS-28

MS-28

MS-28

MS-28

MS-28

MS-28

MS-28

MS-28

MS-28

MS-28

MS-28

MS-28

MS-28

MS-28

MS-28

MS-28

MS-28

MS-28

MS-28

MS-28

MS-28

MS-28

MS-28

MS-28

MS-28

MS-28

MS-28

MS-28

MS-28

MS-28

MS-28

MS-28

MS-28

MS-28

MS-28

MS-28

MS-28

MS-28

MS-28

MS-28

MS-28

MS-28

MS-28

MS-28

MS-28

MS-28

MS-28

MS-28

MS-28

MS-28

MS-28

MS-28

MS-28

MS-28

MS-28

MS-28

MS-28

MS-28

MS-28

MS-28

MS-28

MS-28

MS-28

MS-28

MS-28

MS-28

MS-28

MS-28

MS-28

MS-28

MS-28

MS-28

MS-28

MS-28

MS-28

MS-28

MS-28

MS-28

MS-28

MS-28

MS-28

MS-28

MS-28

MS-28

MS-28

MS-28

MS-28

MS-28

MS-28

MS-28

MS-28

MS-28

MS-28

MS-28

MS-28

MS-28

MS-28

MS-28

MS-28

MS-28

MS-28

MS-28

MS-28

MS-28

MS-28

MS-28

MS-28

MS-28

MS-28

MS-28

MS-28

MS-28

MS-28

MS-28

MS-28

MS-28

MS-28

MS-28

MS-28

MS-28

MS-28

MS-28

MS-28

MS-28

MS-28

MS-28

MS-28

MS-28

MS-28

MS-28

MS-28

MS-28

MS-28

MS-28

MS-28

MS-28

MS-28

MS-28

MS-28

MS-28

MS-28

MS-28

MS-28

MS-28

MS-28

MS-28

MS-28

MS-28

MS-28

MS-28

MS-28

MS-28

MS-28

MS-28

MS-28

MS-28

MS-28

MS-28

MS-28

MS-28

MS-28

MS-28

MS-28

MS-28

MS-28

MS-28

MS-28

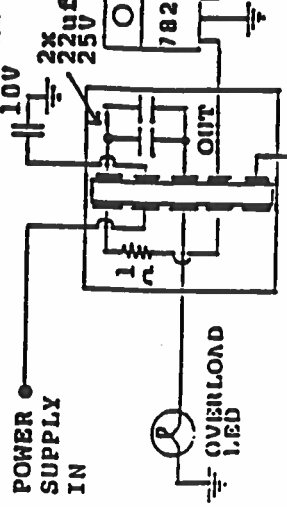
MS-28

MS-28

MS-28

MS-28

MS-28



OVERLOAD 1.6D

POWER SUPPLY IN

2200uF

10V

22uF

25V

7824

OUT

1

uF

7815

7815

7815

7815

April 13/94