



AVTECH ELECTROSYSTEMS LTD.

NANOSECOND WAVEFORM ELECTRONICS
SINCE 1975

□ P.O. BOX 265
OGDENSBURG, NY
U.S.A. 13669-0265
TEL: (315) 472-5270
FAX: (613) 226-2802

TEL: 1-800-265-6681
FAX: 1-800-561-1970
U.S.A. & CANADA

☒ BOX 5120 STN. F
OTTAWA, ONTARIO
CANADA K2C 3H4
TEL: (613) 226-5772
FAX: (613) 226-2802

*AV R-E3-B-
PECAR
For Rickin-Elmer*

MODIFICATION INSTRUCTIONS

Fig. 1 Original unit

Fig. 2 With Phase A OUT -120V

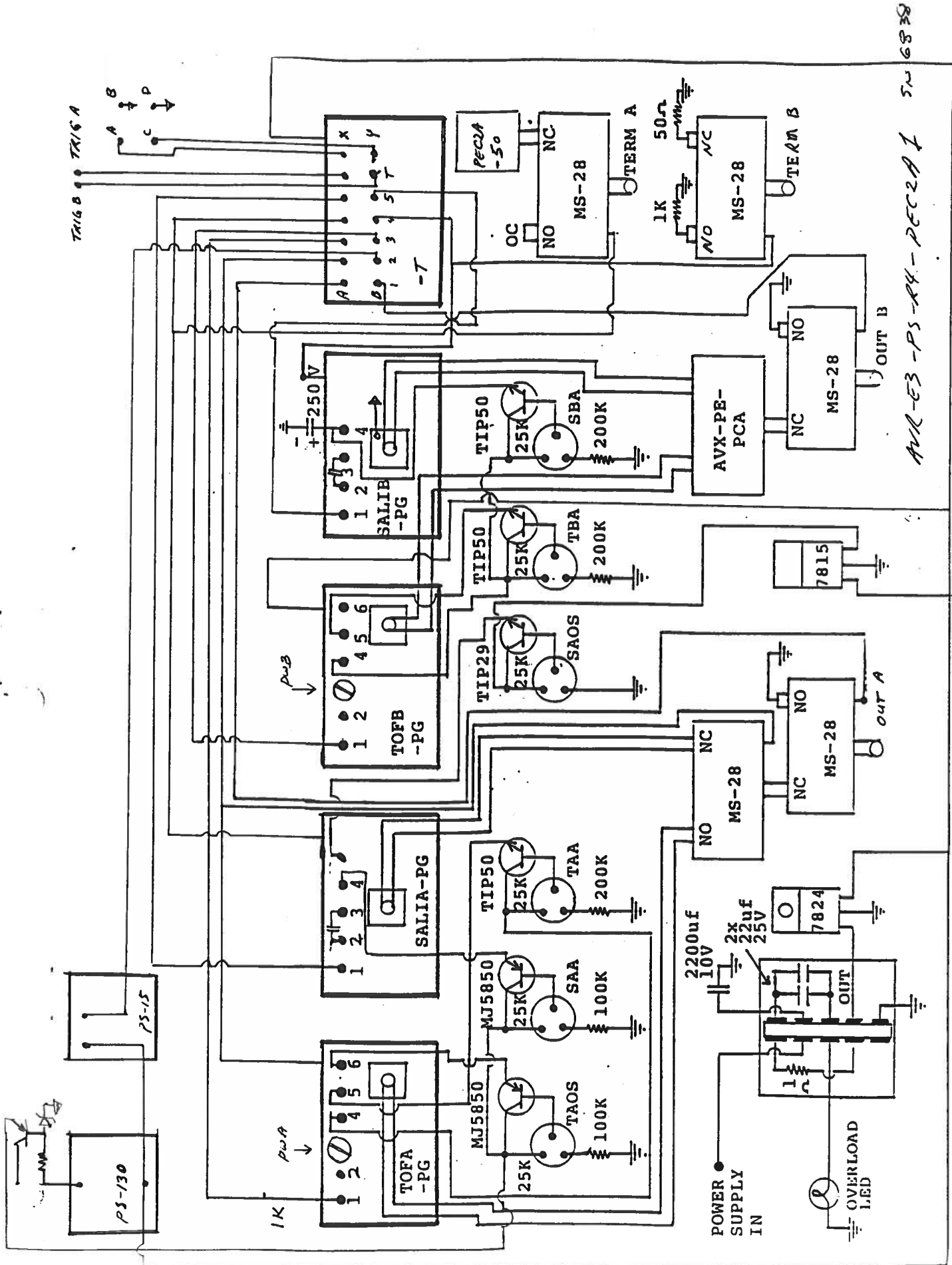
ACTION: a) Make cut and add jumper as shown

Fig. 3 With Phase A OUT -120V
With 72" cables

ACTION: a) MS28 replaces AVX-PE-PCA
b) Connect MS28 to 24V port on SALIB
c) Remove 1K termination from MS28 which connects to TERM B

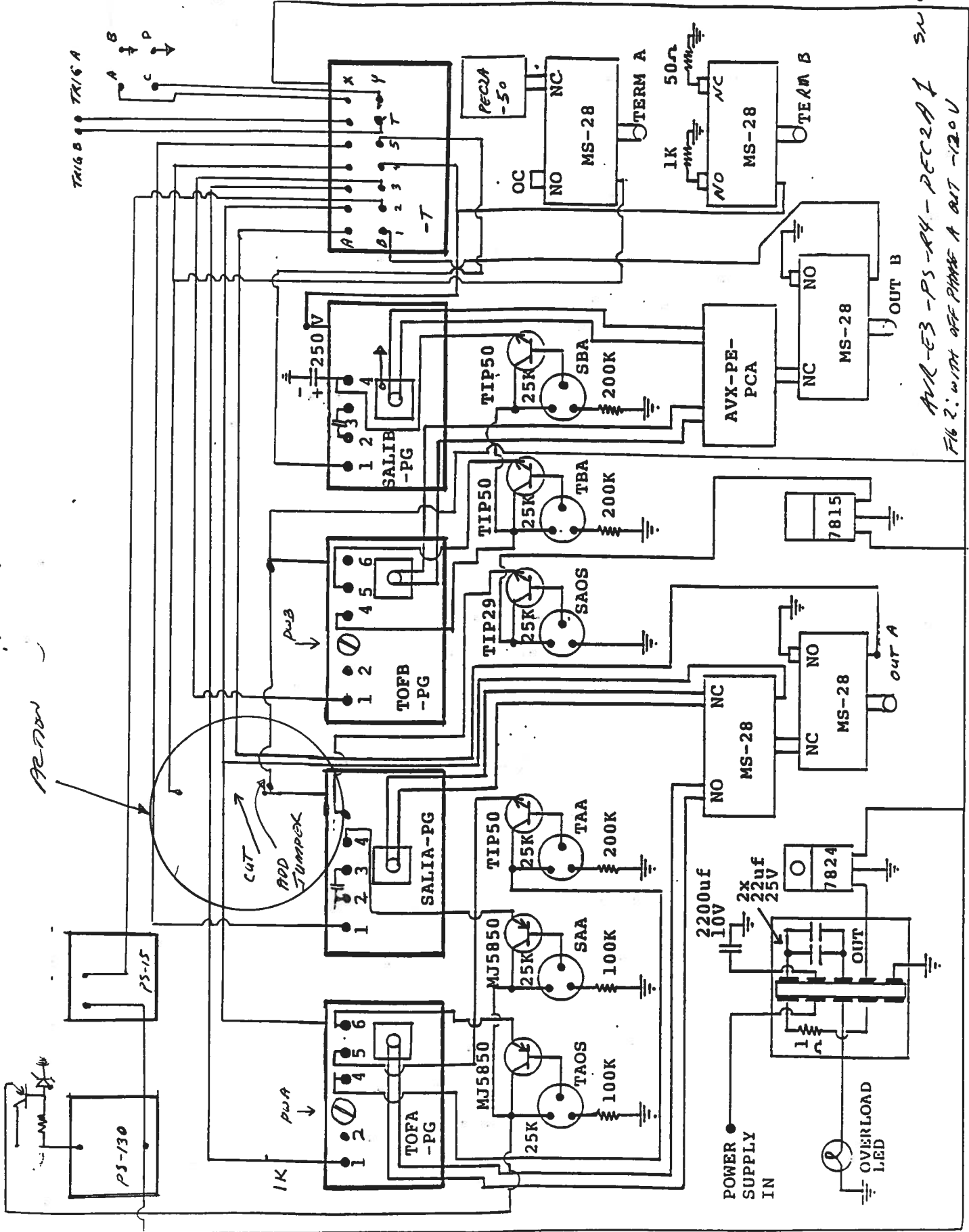
Fig. 4 With Phase A OUT -120V
With 72" cables
With wiggler
With replacement -T module
With TOF PIN 1 shunts

ACTION: a) Replace face plate and drill 2 1/4" holes in face plate back plate and install switch and pot
b) Install wiggler chassis and wire as shown
c) Replace -T module. Original -T module will eventually be returned to Avtech for modification
d) Add 51 Ohm, 680 shunt to PIN 1 of TOF modules

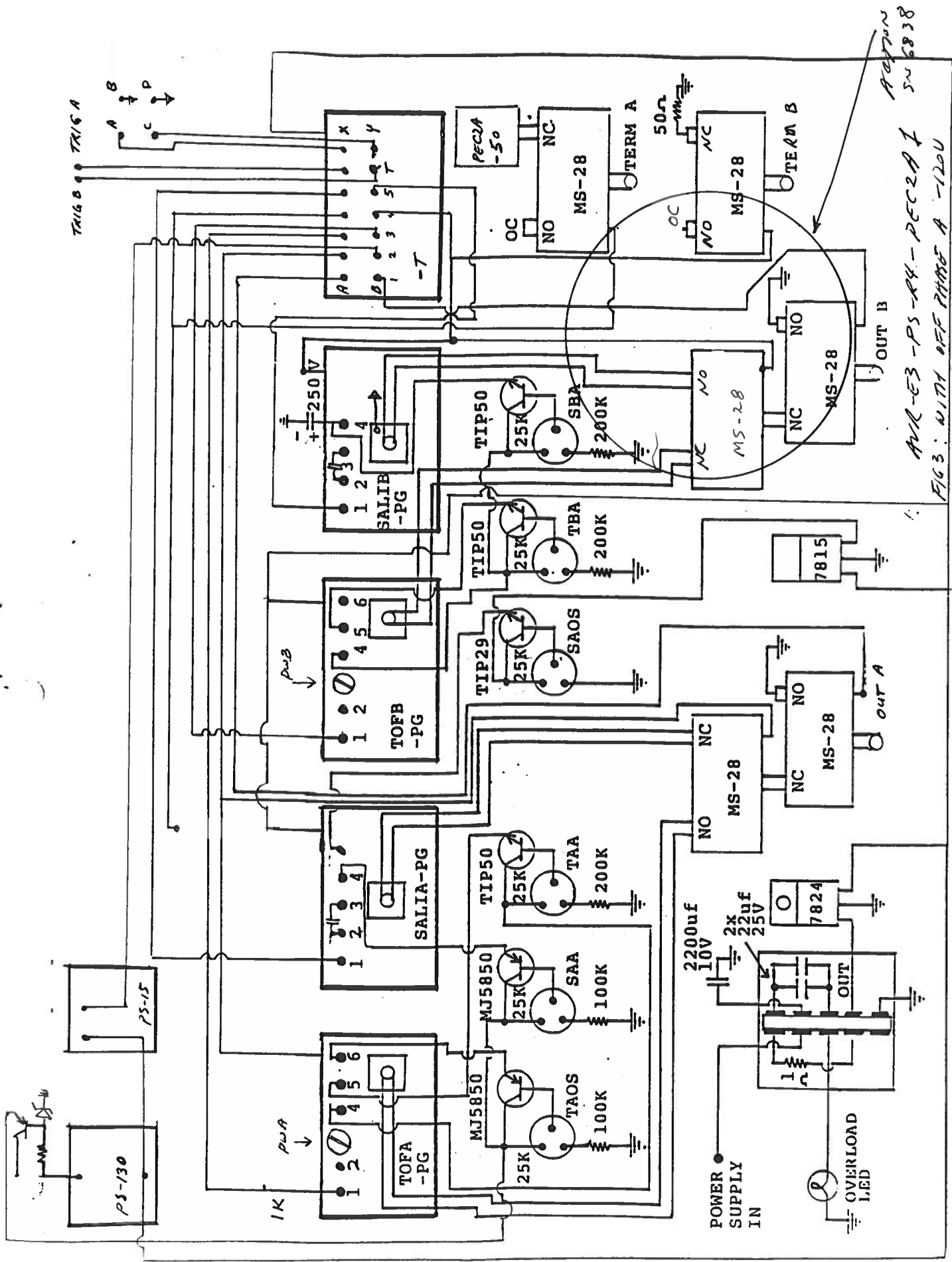


AVX-ES-PS-R4-PECA1 52 6838

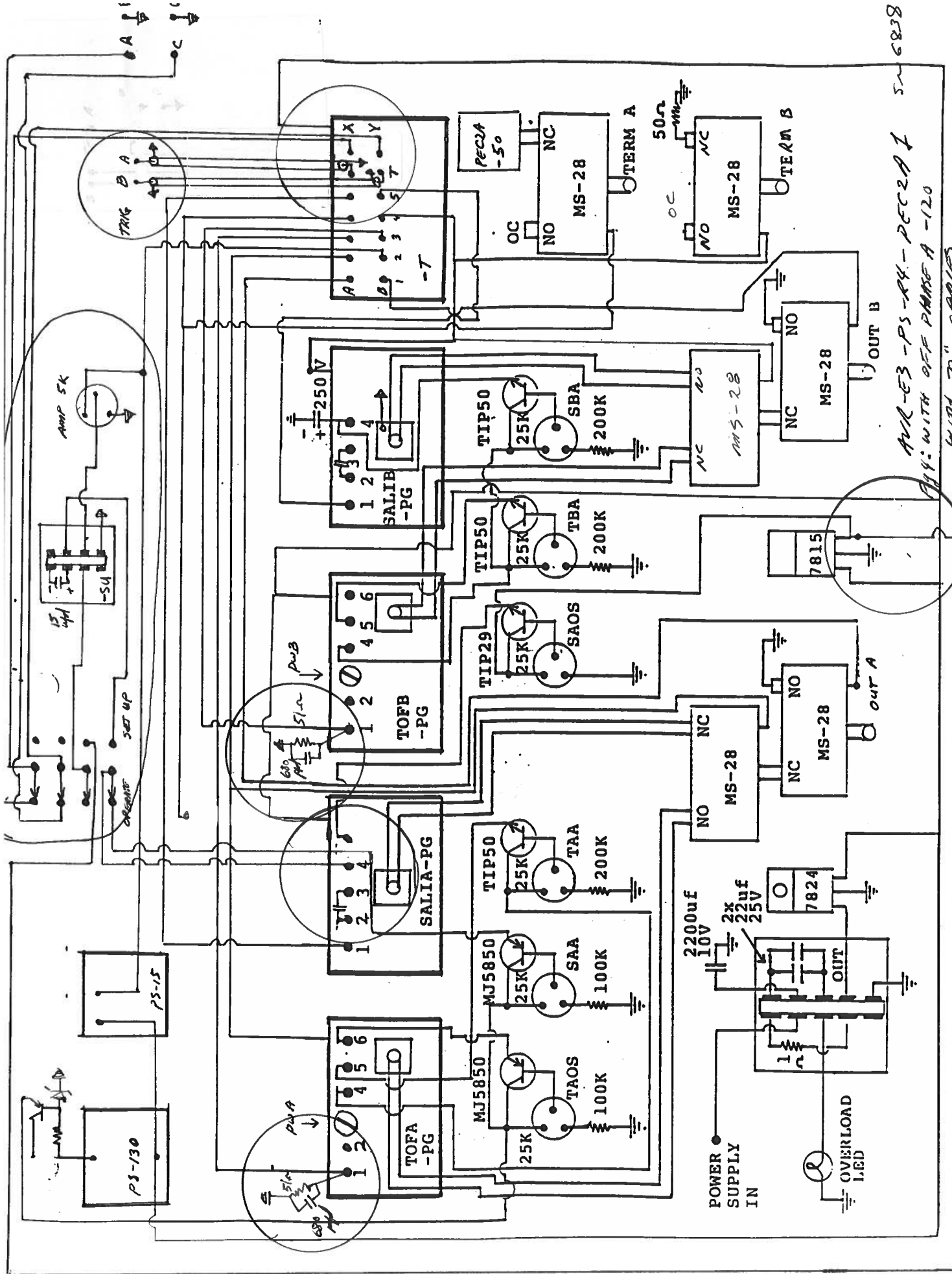
FIG 1: BEFORE UPGRADING



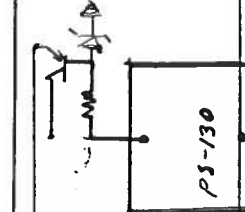
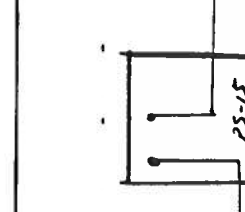
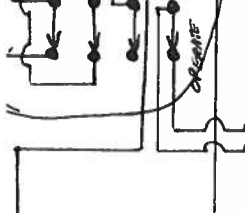
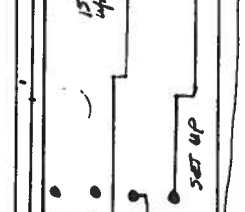
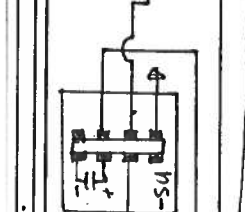
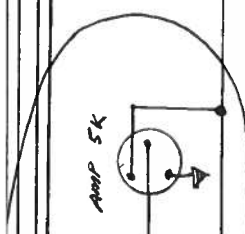
AVX-ES-PS-R4-PE-CA I SN 6818
 FIG 2: WITH OFF PHASE A OUT -120V



AVR-E3-PS-R4-PECCA I
 FIG. 3: WITH OFF PHASE A -120V
 WITH 72" CARLOADS
 ACTION
 SW 6838



6838
 AVR-E3-PS-R4-PECCA I
 P44: WITH OFF PHASE A -120
 WITH 72" CABLES
 WITH WIGGLER
 WITH REPLACEMENT -T MODULE
 WITH TOP PIN 1 JUMP 51Ω + 690 pF



March 9/94

