

# AVTECH ELECTROSYSTEMS LTD.

NANOSECOND WAVEFORM ELECTRONICS  
ENGINEERING . MANUFACTURING

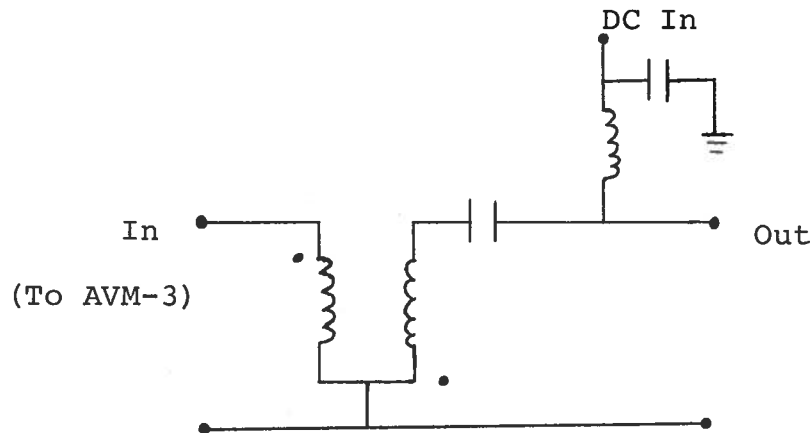
P.O. BOX 265  
OGDENSBURG  
NEW YORK  
13669  
(315) 472-5270

BOX 5611 STN. "F"  
OTTAWA, ONTARIO  
CANADA K2C 3M1  
(613) 226-5772  
TELEX 053.4591

## INSTRUCTIONS

### Model AVX-2-T

Model AVX-2-T is designed to invert the output of the Avtech Model AVM-3 pulse generator while retaining the DC offset capability. The unit essentially consists of an AVX-2 transformer followed by an AVX-T bias insertion unit and has the following basic equivalent circuit:



When used with the AVM-3 unit, the desired DC offset voltage should be applied to the DC IN terminal of the AVX-2-T unit (and not to the OS terminal of the AVM-3 unit). The basic specifications for the AVX-2-T unit are as follows:

Risetime:	$\leq 150$ psec
Max pulse voltage:	15 volts

Max pulse width:	15 nsec
Max bias voltage:	±50 volts
Max bias current:	1.0 Amp