

AVTECH ELECTROSYSTEMS LTD.

NANOSECOND WAVEFORM ELECTRONICS
ENGINEERING - MANUFACTURING

□ P.O. BOX 265
OGDENSBURG
NEW YORK
13669
(315) 472-5270

☒ BOX 5120, STN. "F"
OTTAWA, ONTARIO
CANADA K2C 3H4
TEL: (613) 226-5772
FAX: (613) 226-2802
TELEX: 053-4591

INSTRUCTIONS

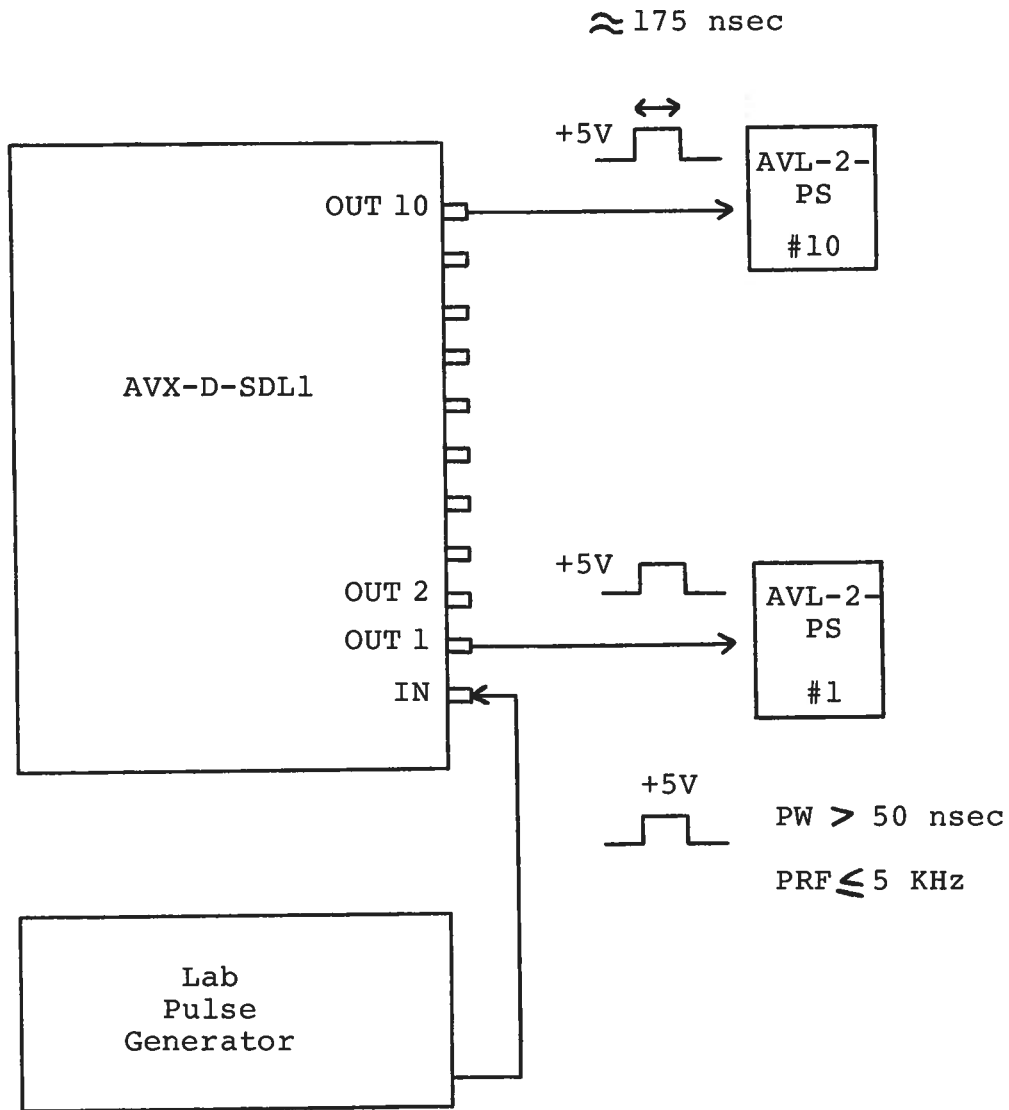
MODEL AVX-D-PS-SDL1 PULSE GENERATOR

S.N. :

WARRANTY

Avtech Electrosystems Ltd. warrants products of its manufacture to be free from defects in material and workmanship under conditions of normal use. If, within one year after delivery to the original owner, and after prepaid return by the original owner, this Avtech product is found to be defective, Avtech shall at its option repair or replace said defective item. This warranty does not apply to units which have been disassembled, modified or subjected to conditions exceeding the applicable specifications or ratings. This warranty is the extent of the obligation or liability assumed by Avtech with respect to this product and no other warranty or guarantee is either expressed or implied.

GENERAL TEST ARRANGEMENT



- 1) The equipment should be connected in the general fashion shown above.
- 2) The delay for each channel is variable from about 50 nsec to 150 nsec via the one turn locking pot control.
- 3) CAUTION: The delay generator may fail if operated into a low load impedance (eg. 50 ohms). The delay generator requires a high load impedance or a TTL load such as that provided by the AVL-2-PS.

08.22.89

The following points are covered in the report (see page 10)

The delay in the start of the work is due to the fact that the necessary permits have not yet been obtained.

CAUTION: The delay in the start of the work is due to the fact that the necessary permits have not yet been obtained. The delay in the start of the work is due to the fact that the necessary permits have not yet been obtained.