



AVTECH ELECTROSYSTEMS LTD.

NANOSECOND WAVEFORM ELECTRONICS
SINCE 1975

P.O. BOX 265
OGDENSBURG, NY
U.S.A. 13669-0265
TEL: (315) 472-5270
FAX: (613) 226-2802

TEL: 1-800-265-6681
FAX: 1-800-561-1970
U.S.A. & CANADA

BOX 5120 STN. F
OTTAWA, ONTARIO
CANADA K2C 3H4
TEL: (613) 226-5772
FAX: (613) 226-2802

INSTRUCTIONS

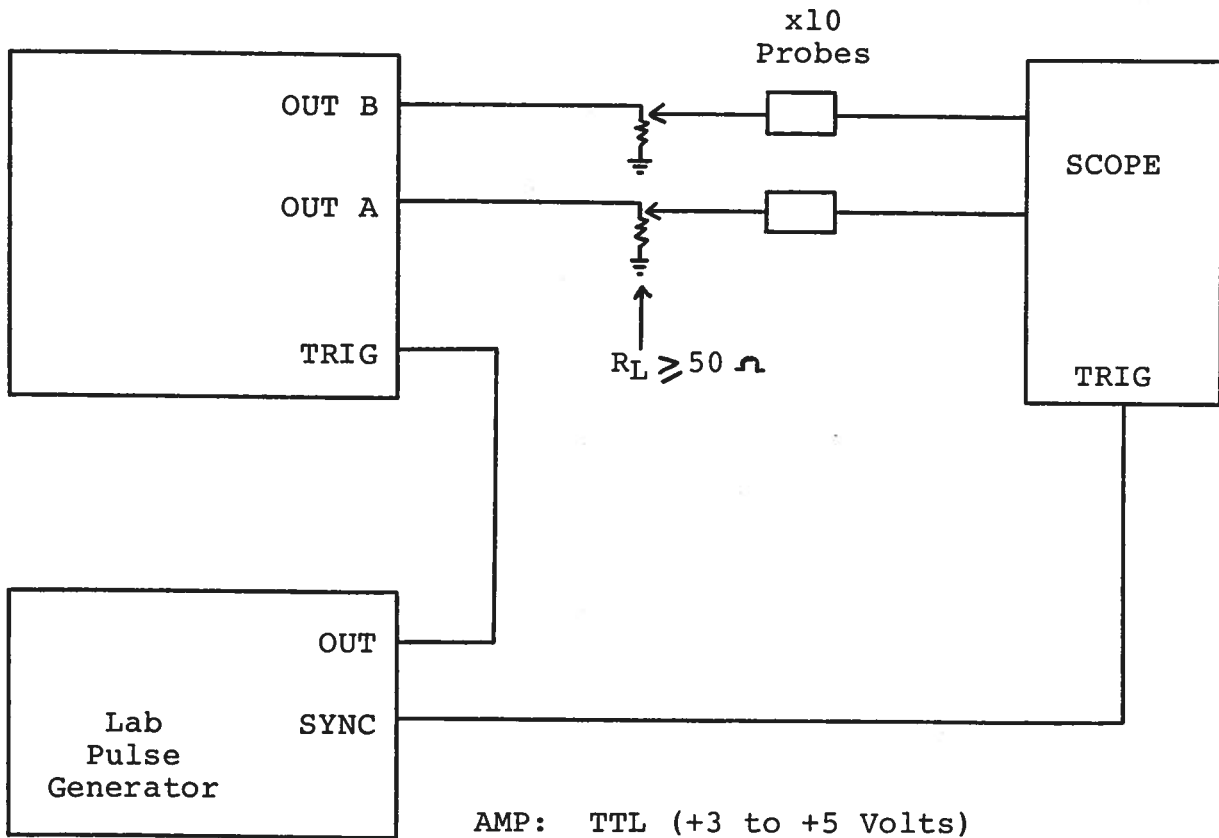
MODEL AVX-D-3-PS-CSMB DELAY GENERATOR

S.N.:

WARRANTY

Avtech Electrosystems Ltd. warrants products of its manufacture to be free from defects in material and workmanship under conditions of normal use. If, within one year after delivery to the original owner, and after prepaid return by the original owner, this Avtech product is found to be defective, Avtech shall at its option repair or replace said defective item. This warranty does not apply to units which have been disassembled, modified or subjected to conditions exceeding the applicable specifications or ratings. This warranty is the extent of the obligation or liability assumed by Avtech with respect to this product and no other warranty or guarantee is either expressed or implied.

GENERAL TEST ARRANGEMENT



AMP: TTL (+3 to +5 Volts)

PW: ≥ 50 ns

PRF: 500 Hz

- 1) The equipment should be connected as shown in the attached.
- 2) The load resistance may be in the range of 50 Ohms to an open circuit.
- 3) The PRF should be less than 500 Hz (if delays of 1 ms are to be observed).
- 4) The delay for output A is fixed at 100 ns.
- 5) The delay for output B is variable as follows:

RANGE 1	100 ns to	1 us
RANGE 2	1 us to	10 us
RANGE 3	10 us to	100 us
RANGE 4	100 us to	1 ms

- 6) The unit can be converted from 110 to 220V 50-60 Hz operation by adjusting the voltage selector card in the rear panel fused voltage selector-cable connector assembly.
- 7) For additional assistance:

Tel: (613) 226-5772

Fax: (613) 226-2802

Nov. 26/93

11

The first question is about the delay in the delivery of the goods.

The second question is about the delay in the delivery of the goods.

The third question is about the delay in the delivery of the goods.

The fourth question is about the delay in the delivery of the goods.

The fifth question is about the delay in the delivery of the goods.

The sixth question is about the delay in the delivery of the goods.

The seventh question is about the delay in the delivery of the goods.

The eighth question is about the delay in the delivery of the goods.

The ninth question is about the delay in the delivery of the goods.

The tenth question is about the delay in the delivery of the goods.