



# AVTECH ELECTROSYSTEMS LTD.

NANOSECOND WAVEFORM ELECTRONICS  
SINCE 1975

□ P.O. BOX 265  
OGDENSBURG, NY  
U.S.A. 13669-0265  
TEL: (315) 472-5270  
FAX: (613) 226-2802

TEL: 1-800-265-6681  
FAX: 1-800-561-1970  
U.S.A. & CANADA

☒ BOX 5120 STN. F  
OTTAWA, ONTARIO  
CANADA K2C 3H4  
TEL: (613) 226-5772  
FAX: (613) 226-2802

## INSTRUCTIONS

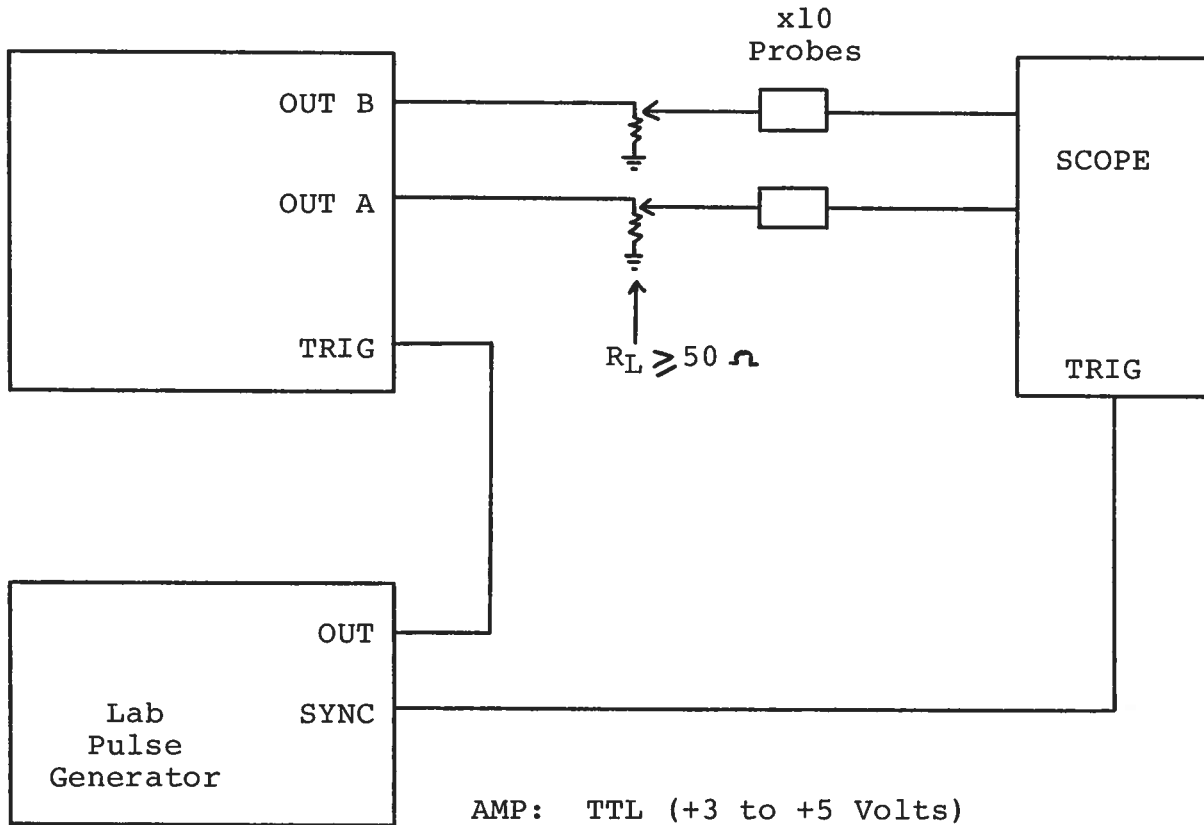
MODEL AVX-D-3-PS-CSMA DELAY GENERATOR

S.N.:

### WARRANTY

Avtech Electrosystems Ltd. warrants products of its manufacture to be free from defects in material and workmanship under conditions of normal use. If, within one year after delivery to the original owner, and after prepaid return by the original owner, this Avtech product is found to be defective, Avtech shall at its option repair or replace said defective item. This warranty does not apply to units which have been disassembled, modified or subjected to conditions exceeding the applicable specifications or ratings. This warranty is the extent of the obligation or liability assumed by Avtech with respect to this product and no other warranty or guarantee is either expressed or implied.

GENERAL TEST ARRANGEMENT



AMP: TTL (+3 to +5 Volts)

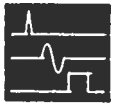
PW:  $\geq 50$  ns

PRF: 500 Hz

- 1) The equipment should be connected as shown in the attached.
- 2) The load resistance may be in the range of 50 Ohms to an open circuit.
- 3) The PRF should be less than 500 Hz (if delays of 1 ms are to be observed).
- 4) The delay for output A is fixed at 100 ns.
- 5) The delay for output B is variable as follows:

RANGE 1	100 ns to	1 us
RANGE 2	1 us to	10 us
RANGE 3	10 us to	100 us
RANGE 4	100 us to	1 ms
- 6) The unit can be converted from 110 to 220V 50-60 Hz operation by adjusting the voltage selector card in the rear panel fused voltage selector-cable connector assembly.
- 7) For additional assistance:

Tel: (613) 226-5772  
Fax: (613) 226-2802



P.O. BOX 265  
OGDENSBURG, NY  
U.S.A. 13669-0265  
TEL: (315) 472-5270  
FAX: (613) 226-2802

BOX 5120 STN.  
OTTAWA, ONTAR  
CANADA K2C 3J1  
TEL: (613) 226-57  
FAX: (613) 226-28

May 21, 1993.

Mark Linne  
Colorado School of Mines  
Division of Engineering  
Golden, CO 80401

Dear Mark:

Following our telephone conversation of May 19, I am pleased to provide a price and delivery quotation for a special purpose pulse generator meeting the following specifications:

Model designation:	AVX-D-3-PS-CSMA	
Delay:	OUT A 100 ns (fixed)	OUT B 100 ns to 1 ms, controlled via a 4 position range switch and a one turn fine control.
Output amplitude:	TTL will drive 50 Ohms.	
Input trigger:	TTL, PW $\geq$ 50 ns.	
Output pulse width:	0.2 us.	
PRF:	0 to 1 MHz (but with 50% max duty cycle). PRF controlled by input trigger PRF.	
Connectors:	BNC.	
Prime power:	120/240 V, 50 - 60 Hz.	

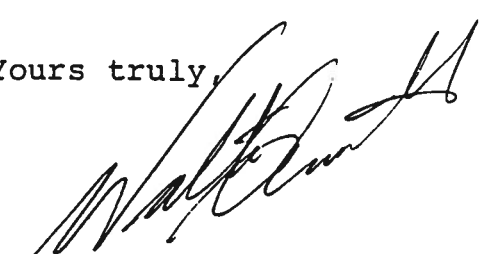
Other: See standard AVX-D-3-PS, page 98, Catalog No. 8

Price: \$1,723.00 US each,  
FOB destination (i.e. on your  
doorstep. Note that this price  
includes our standard  
5% academic discount.

Delivery: 45-60 days ARO.

Thank you for your interest in our products. Please call me again if you require any additional information or modifications to the above quotation.

Yours truly,



Dr. Walter Chudobiak  
Chief Engineer

WC:pr  
Encl. Cat. No. 8  
Cat. No. 8S1  
Price list

Sept. 8, 1993