



AVTECH ELECTROSYSTEMS LTD.

NANOSECOND WAVEFORM ELECTRONICS
SINCE 1975

□ P.O. BOX 265
OGDENSBURG, NY
U.S.A. 13669-0265
TEL: (315) 472-5270
FAX: (613) 226-2802

TEL: 1-800-265-6681
FAX: 1-800-561-1970

e-mail: info@avtechpulse.com
<http://www.avtechpulse.com>

□ P.O. BOX 5120 STN. F
OTTAWA, ONTARIO
CANADA K2C 3H4
TEL: (613) 226-5772
FAX: (613) 226-2802

INSTRUCTIONS

MODEL AVX-D-2-PS-ED DELAY GENERATOR

S.N.:

WARRANTY

Avtech Electrosystems Ltd. warrants products of its manufacture to be free from defects in material and workmanship under conditions of normal use. If, within one year after delivery to the original owner, and after prepaid return by the original owner, this Avtech product is found to be defective, Avtech shall at its option repair or replace said defective item. This warranty does not apply to units which have been disassembled, modified or subjected to conditions exceeding the applicable specifications or ratings. This warranty is the extent of the obligation assumed by Avtech with respect to this product and no other warranty or guarantee is either expressed or implied.

TECHNICAL SUPPORT

Phone: 613-226-5772 or 1-800-265-6681

Fax: 613-226-2802 or 1-800-561-1970

E-mail: info@avtechpulse.com

World Wide Web: <http://www.avtechpulse.com>

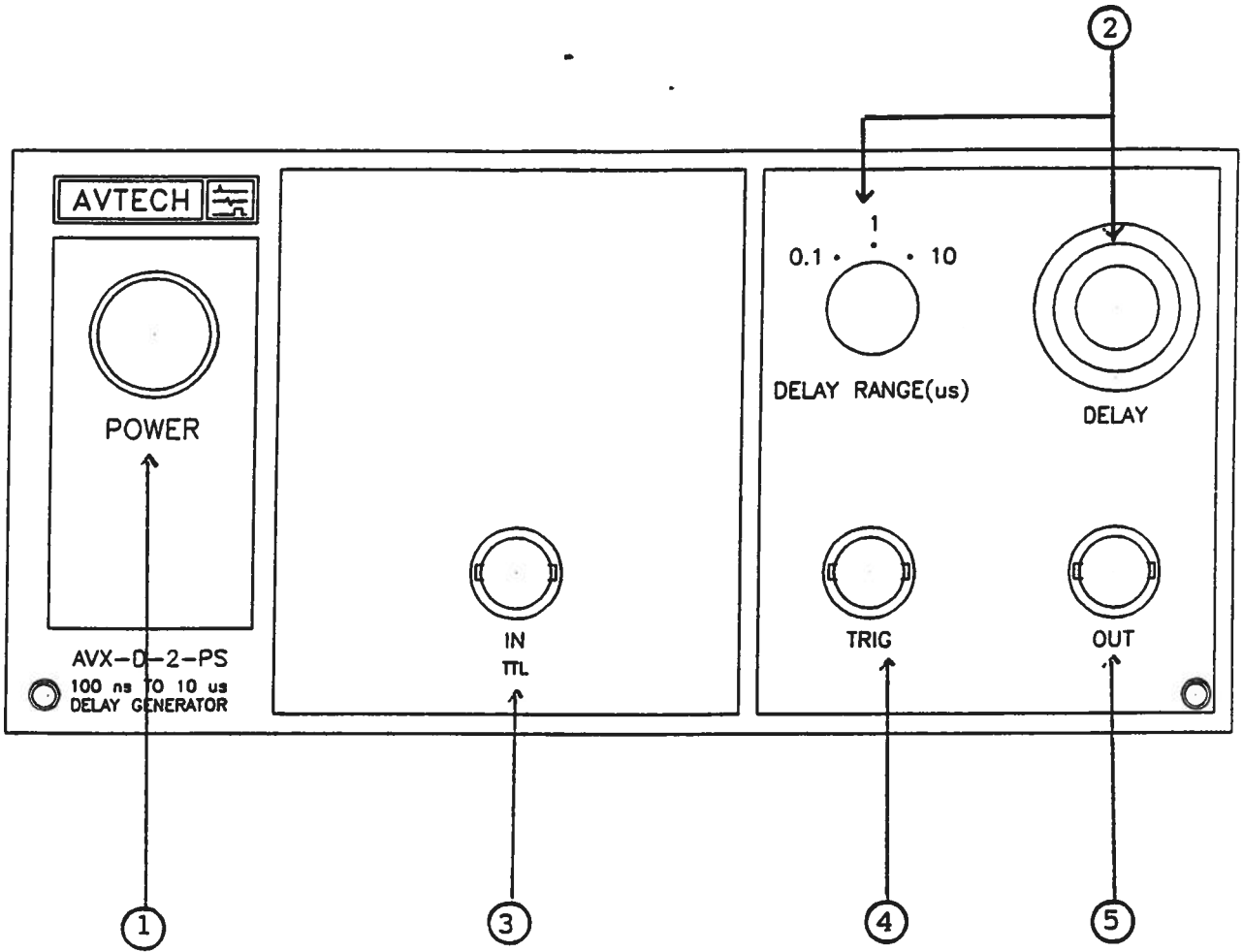
TABLE OF CONTENTS

WARRANTY	2
TABLE OF CONTENTS	3
SPECIFICATIONS.....	4
FIG. 1: FRONT PANEL CONTROLS.....	5
FRONT PANEL CONTROLS	6
FIG. 2: BACK PANEL CONTROLS	7
BACK PANEL CONTROLS	8
FIG. 3: MODEL AVX-D-2.....	9
GENERAL OPERATING INSTRUCTIONS	10
FIG. 4: MODEL AVX-D-2.....	12
SYSTEM DESCRIPTION AND REPAIR PROCEDURE.....	13
FIG. 5: SYSTEM BLOCK DIAGRAM.....	14
PERFORMANCE CHECK SHEET	15

SPECIFICATIONS
MODEL AVX-D-2-PS

Model designation:	AVX-D-2-PS
Delay range:	100 ns to 10 us
	Low range: 30 ns to 100 ns
	Med. range: 100 ns to 1 us
	High range: 1 us to 10 us
	10 turn DL pot control determines delay within each range.
PRF range:	0 to 1 MHz
	Note that at given PRF, max delay cannot exceed one half of period of PRF.
Jitter:	± 10 ps at min DELAY to be confirmed using AVH-S-1 130 ps impulse generators and sampling scope display. Jitter increases to ± 60 ps at maximum delay.
Input PW:	50 to 500 ns
Output PW:	200 to 300 ns
Trig. PW:	Equals input PW
Prop delay, IN to TRIG port:	≤ 10 ns
Signal amplitudes:	TTL levels Outputs will drive 50 ohm loads
Power requirements:	120/240V, 50-60 Hz
Connectors:	BNC

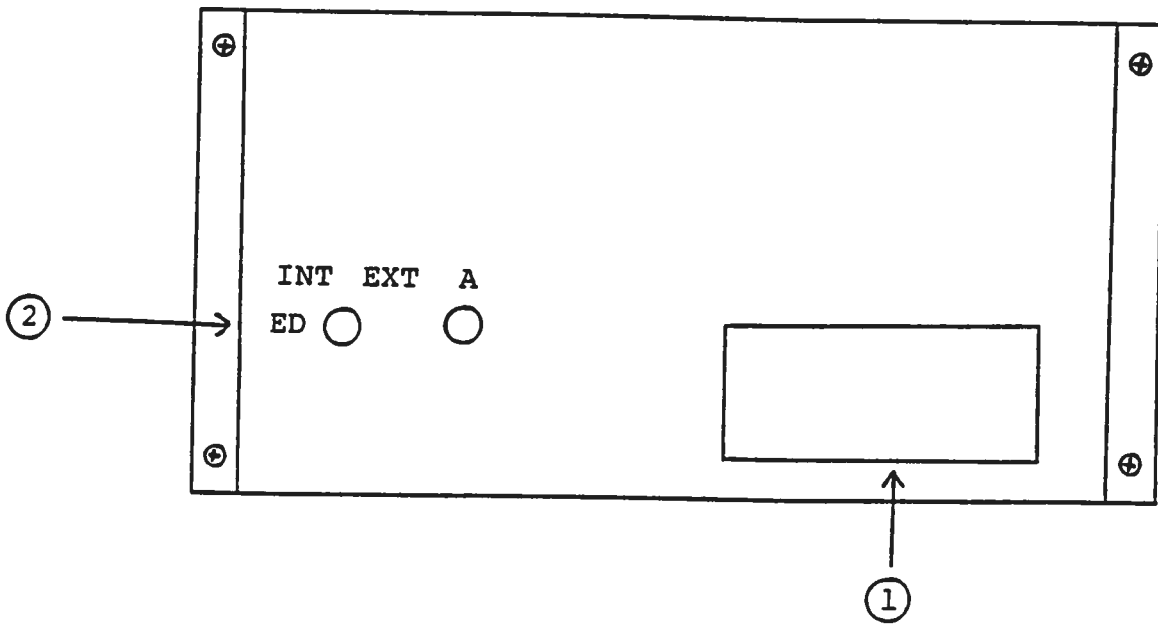
FIG. 1: FRONT PANEL CONTROLS



FRONT PANEL CONTROLS

- (1) ON-OFF Switch. Applies basic prime power to all stages.
- (2) DELAY Control. Controls the relative delay between the output pulse provided at OUT (5) and IN (3). This delay is variable over the range of 30 ns to about 10 us as follows:
 - 30 ns to 100 ns
 - 100 ns to 1.0 us
 - 1.0 us to 10 us
- (3) IN. Apply TTL input at this terminal (PW > 50 ns).
- (4) TRIG. Replica of IN pulse delayed by 30 ns appears here. Will drive 50 ohms.
- (5) OUT. +5 Volt output to 50 ohms. This output is delayed 30 ns to 10 us with respect to the IN pulse.

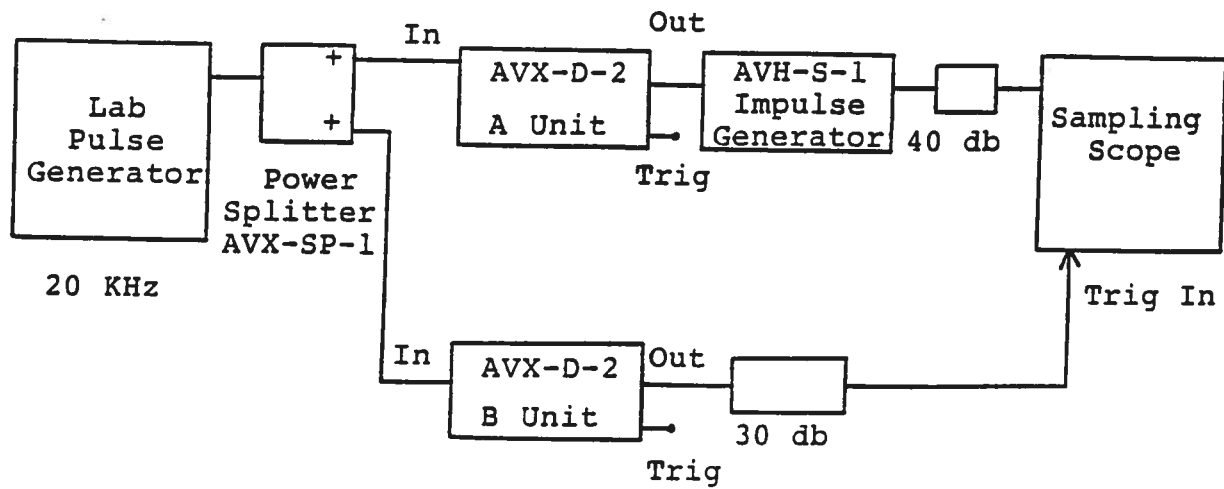
FIG. 2: BACK PANEL CONTROLS



BACK PANEL CONTROLS

- 1) FUSED CONNECTOR, VOLTAGE SELECTOR. The detachable power cord is connected at this point. In addition, the removable cord is adjusted to select the desired input operating voltage. The unit also contains the main power fuse (0.25 A SB).
- 2) -ED. To voltage control the delay, set the switch in the EXT position and apply 0 to +10V to the "A" BNC connector ($R_{IN} \geq 10K$). Note that the -ED function operates only in the 30ns to 100ns range and does not function in the 100ns to 1.0 us and 1.0 us to 10 us ranges. (option).

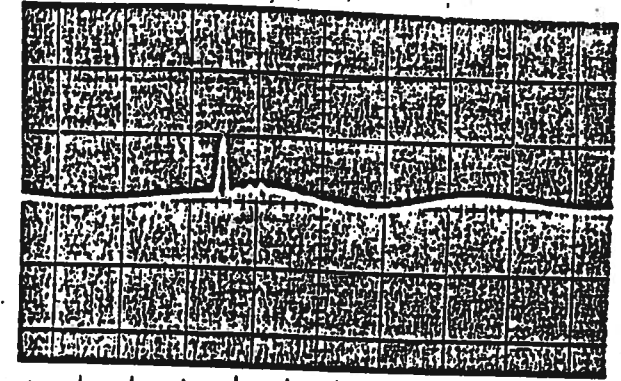
FIG. 3: MODEL AVX-D-2
JITTER AND DELAY TEST ARRANGEMENT



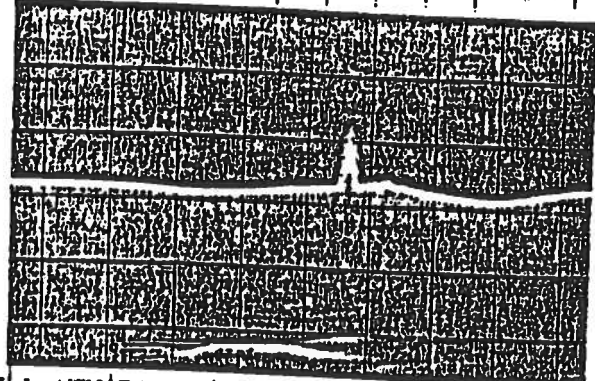
GENERAL OPERATING INSTRUCTIONS

- 1) A worse-case jitter test of the AVX-D-2 unit was conducted using the above arrangement. The use of two delay generators serves to:
 - a) Aggravate the jitter since the resultant jitter is the consequence of two units.
 - b) Allow triggering of the sampling scope with long delays (e.g. 100 us) on the AVX-D-2 units.
- 2) The delays of the A and B units should be such that the time base of the sampling scope is triggered slightly ahead (e.g. 20-100 ns) of the application of the impulse to the vertical amplifier.
- 3) The photos on the following sheet illustrates the AVH-S-1 output waveform for the following 3 cases:
 - a) No delay, i.e. AVX-D-2 A and B units removed.
 - b) Delay of about 9 us.
 - c) Delay of about 2 us.
 - d) Delay of about 0.4 us.
- 4) The AVX-D-2 delay can be calibrated by means of a real time scope monitoring the time delay between the IN (or TRIG) and OUT ports.

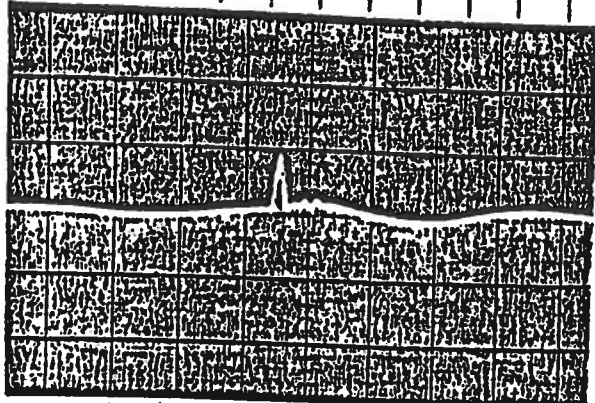
SITTER TEST RESULTS



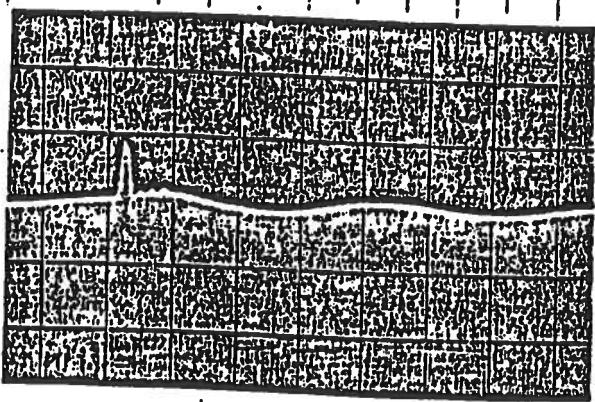
a) AUX-5-1 OUTPUT
NO DELAY,
LE NO AUX-D-2
UNITS



b) 9 usec
DELAY



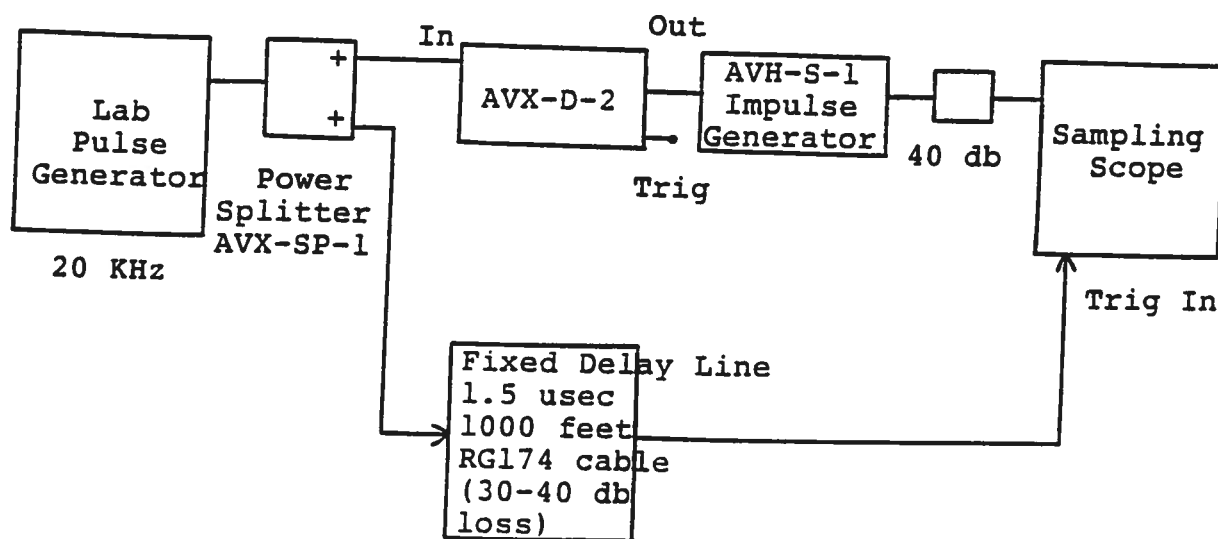
c) 2 usec
DELAY



d) 0.4 usec
DELAY

A2L P4053
1.0 usec / DIV
10 VOLTS / DIV
20 KHZ

FIG. 4: MODEL AVX-D-2
LONG TERM DRIFT TEST ARRANGEMENT



Following a warm-up period of 5 minutes, the AVX-D-2 delay is constant within ± 2 ns

SYSTEM DESCRIPTION AND REPAIR PROCEDURE

The AVX-D-2-PS consists of a pulse delay module (AVX-D-2-PG), and a power supply board which supplies +15 Volts (600 mA max) to the pulse generator module. In the event that the unit malfunctions, remove the instrument cover by removing the four Phillips screws on the back of the unit. The top lid may then be slid off. Measure the voltage at the +15V pin of the PG module. If this voltage is substantially less than +15 Volts, unsolder the line connecting the power supply and PG modules and connect 50 ohm 10 W load to the PS DC. The voltage across this load should be about +15V DC. If this voltage is substantially less than 15 Volts the PS module is defective and should be repaired or replaced. If the voltage across the resistor is near 15 Volts, then the PG module should be replaced or repaired. The sealed PG module must be returned to Avtech for repair (or replacement).

FIG. 5: SYSTEM BLOCK DIAGRAM

