

AVTECH ELECTROSYSTEMS LTD.

NANOSECOND WAVEFORM ELECTRONICS  
ENGINEERING - MANUFACTURING

□ P.O. BOX 265  
OGDENSBURG  
NEW YORK  
13669  
(315) 472-5270

✕ BOX 5120 STN. 'F'  
OTTAWA, ONTARIO  
CANADA K2C 3H4  
(613) 226-5772  
TELEX 053-4591

INSTRUCTIONS

MODEL AVX-D-4-PS DELAY GENERATOR

S.N. :

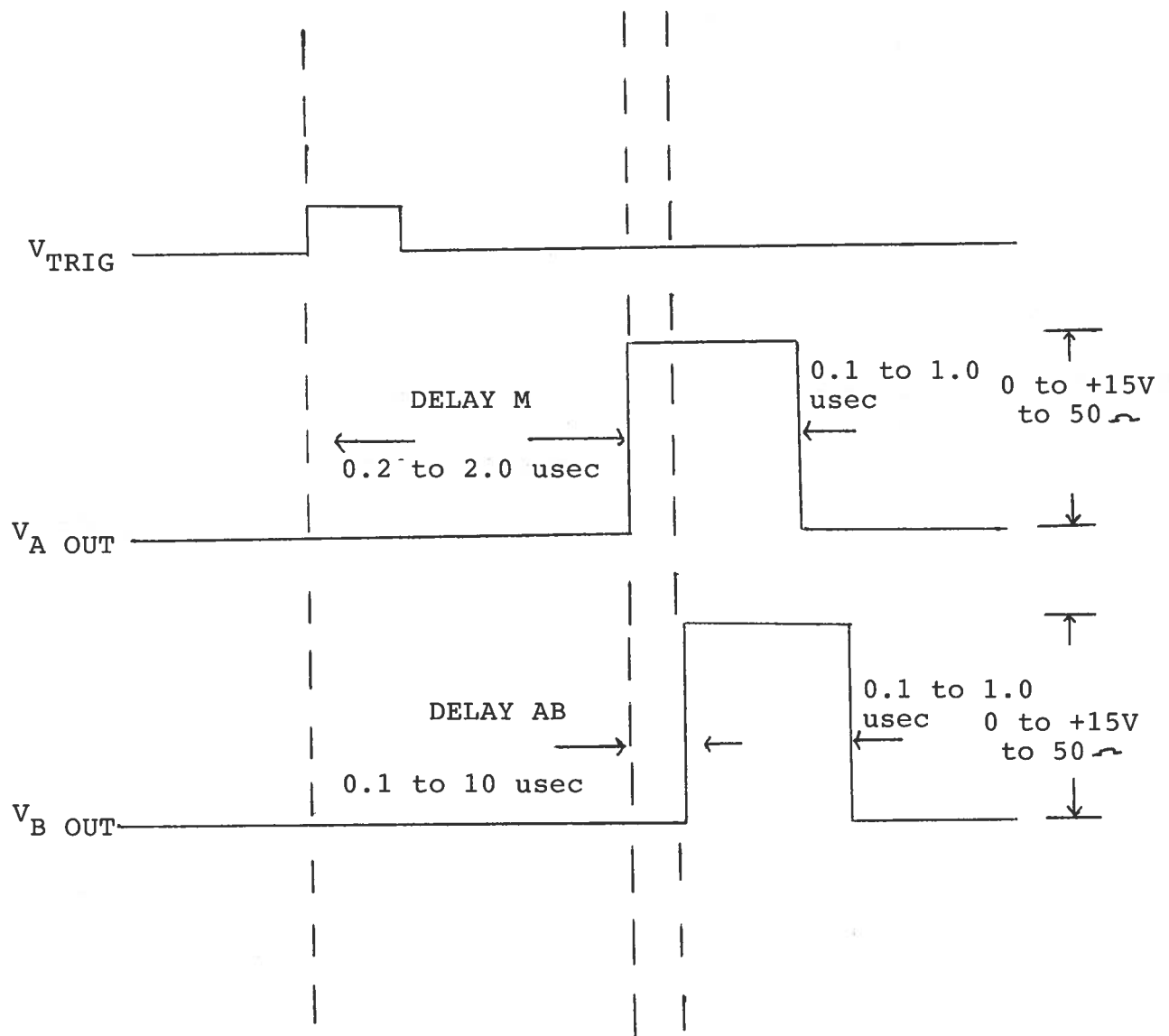
## WARRANTY

Avtech Electrosystems Ltd. warrants products of its manufacture to be free from defects in material and workmanship under conditions of normal use. If, within one year after delivery to the original owner, and after prepaid return by the original owner, this Avtech product is found to be defective, Avtech shall at its option repair or replace said defective item. This warranty does not apply to units which have been disassembled, modified or subjected to conditions exceeding the applicable specifications or ratings. This warranty is the extent of the obligation or liability assumed by Avtech with respect to this product and no other warranty or guarantee is either expressed or implied.

## SPECIFICATIONS

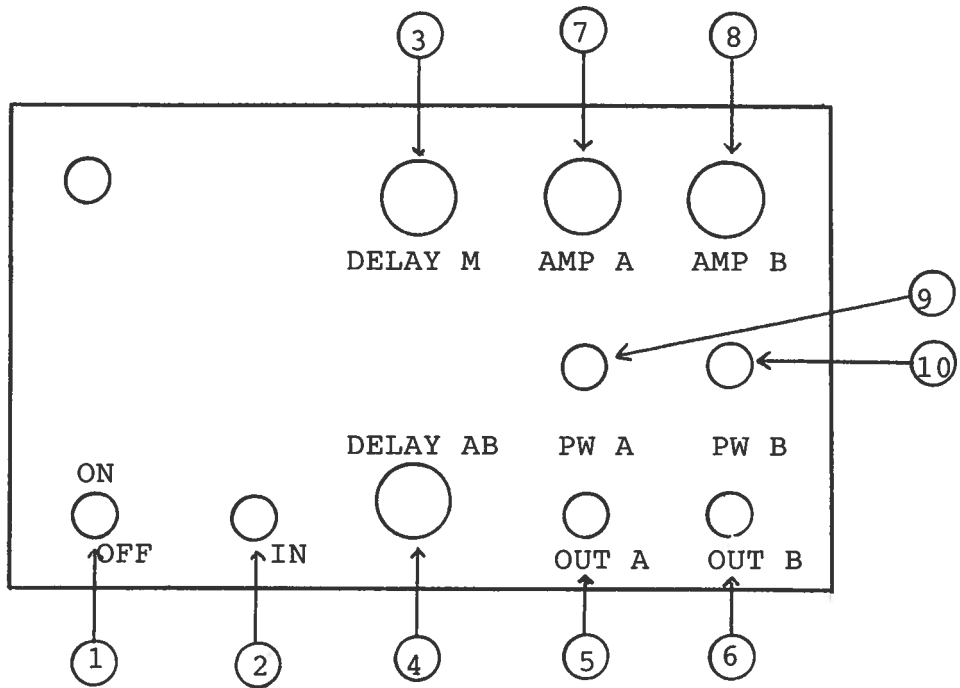
### MODEL AVX-D-4-PS

Input trigger:	TTL 20 nsec or wider
Delay M:	Continuously variable from 0.2 usec to 2.0 usec via front panel 10 turn locking pot
Delay AB:	Continuously variable from +0.1 usec to +10.0 usec via front panel 10 turn locking pot
Input to output jitter:	$\leq \pm 100$ nsec
Output pulse width (A and B):	0.1 to 1.0 usec
Output amplitude (A and B):	0 to +15 volts to 50 ohms. Output impedance approx. 25 ohms. Outputs will withstand short circuit
Output rise and fall time:	20 nsec
PRF range:	0 to 50 KHz
Input and output connectors:	BNC
Prime power:	120/240V. 50-60 Hz switchable. Detachable cord with fuse
Chassis size:	4 x 6 x 8 inches



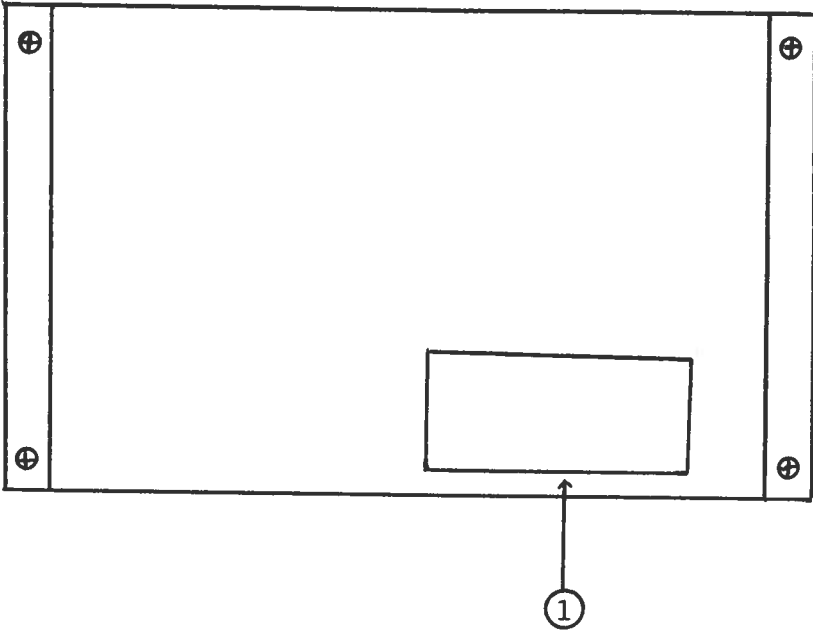
INPUT AND OUTPUT WAVEFORMS FOR AVTECH MODEL AVX-D-4-PS DELAY GENERATOR

AVX-D-4-PS FRONT PANEL



- (1) ON-OFF Switch. Applies prime power to all stages.
- (2) IN. BNC input trigger connector TTL level 20 nsec or wider pulse.
- (3) DELAY M. 10 turn locking pot varies relative delay between OUT A and input trigger from 0.2 to 2.0 usec.
- (4) DELAY AB. 10 turn locking pot varies relative delay between OUT B and OUT A from +0.1 usec to 10.0 usec independently of setting of DELAY M.
- (5) OUT A. BNC connector provides output pulse to 50 ohm load.
- (6) OUT B. BNC connector provides output pulse to 50 ohm load.
- (7) AMP A. One turn control varies output amplitude for A from 0 to +15V.
- (8) AMP B. One turn control varies output amplitude for B from 0 to +15 V.
- (9) PW A. One turn control varies output pulse width for A from 0.1 to 1.0 usec.
- (10) PW B. One turn control varies output pulse width for B from 0.1 to 1.0 usec.

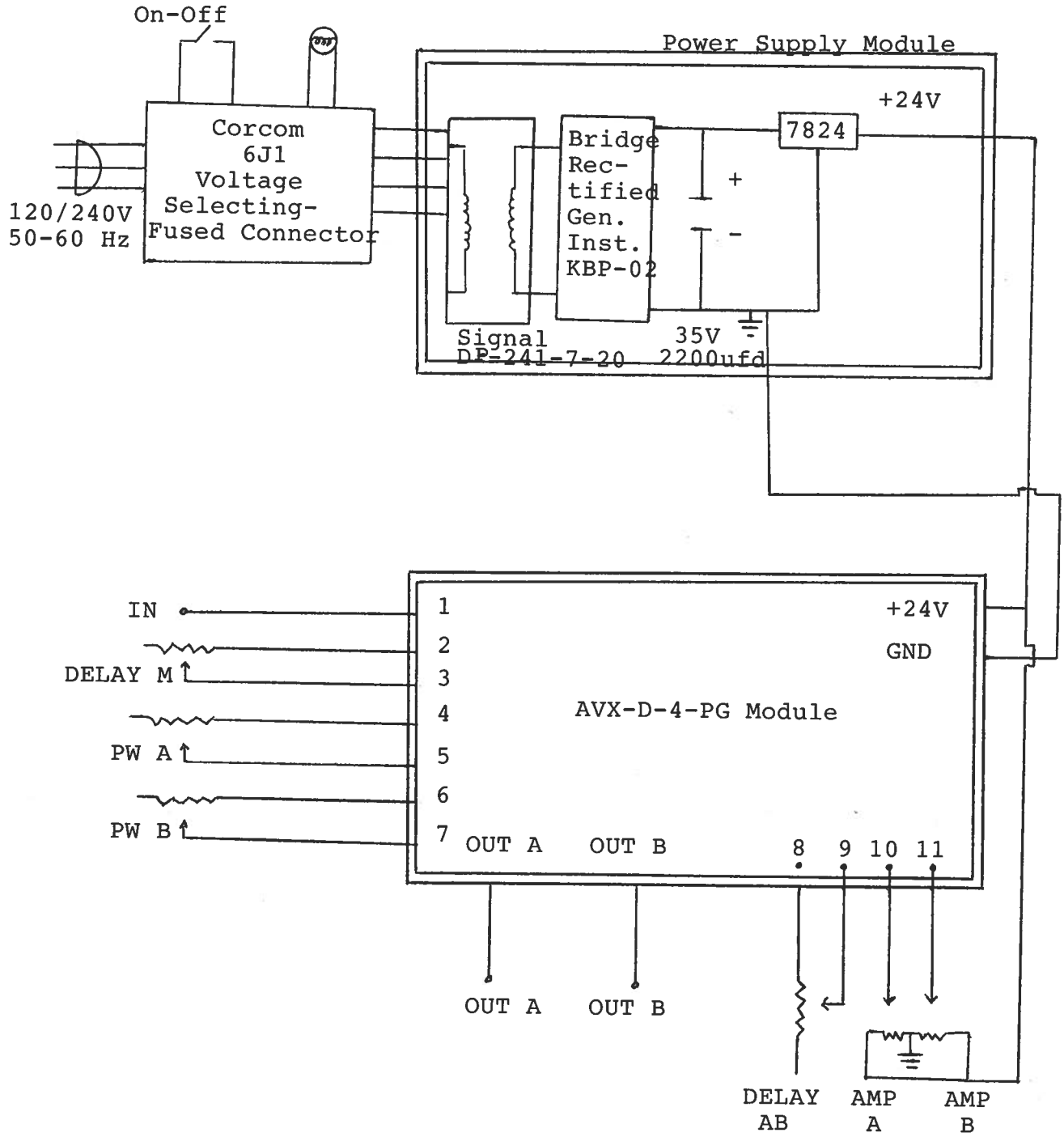
BACK PANEL CONTROLS



- (1) FUSED CONNECTOR. VOLTAGE SELECTOR. The detachable power cord is connected at this point. In addition, the removable cord is adjusted to select the desired input operating voltage. The unit also contains the main power fuse.



SYSTEM BLOCK DIAGRAM



Schnoff

10.07.85

