

**AVTECH ELECTROSYSTEMS LTD.**

**NANOSECOND WAVEFORM ELECTRONICS  
ENGINEERING - MANUFACTURING**

□ P.O. BOX 265  
OGDENSBURG  
NEW YORK  
13669  
(315) 472-5270

✠ BOX 5120 STN. "F"  
OTTAWA, ONTARIO  
CANADA K2C 3H4  
(613) 226-5772  
TELEX 053.4591

INSTRUCTIONS

Model AVX-D-5A-PS-ED-M1 Delay Generator

S.N.:

### WARRANTY

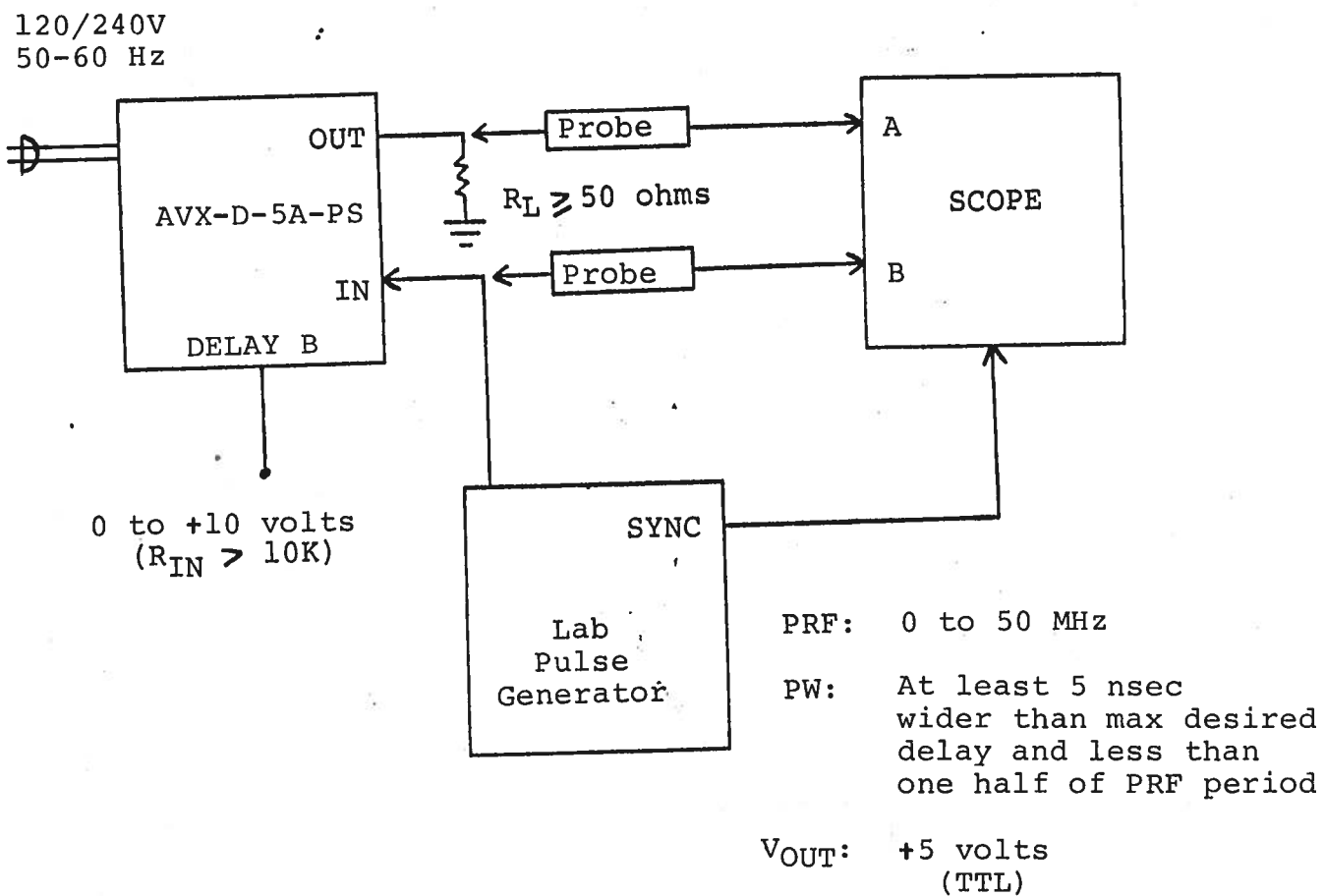
Avtech Electrosystems Ltd. warrants products of its manufacture to be free from defects in material and workmanship under conditions of normal use. If, within one year after delivery to the original owner, and after prepaid return by the original owner, this Avtech product is found to be defective, Avtech shall at its option repair or replace said defective item. This warranty does not apply to units which have been disassembled, modified or subjected to conditions exceeding the applicable specifications or ratings. This warranty is the extent of the obligation or liability assumed by Avtech with respect to this product and no other warranty or guarantee is either expressed or implied.

## Specifications

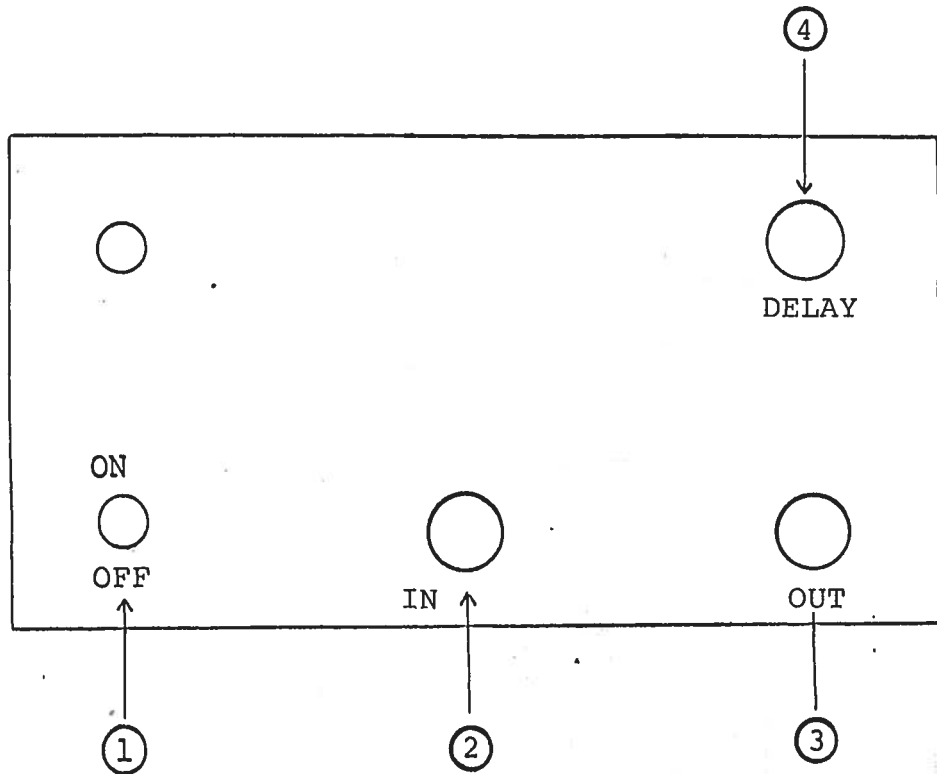
### Model AVX-D-5A-PS-ED-M1

Model designation:	AVX-D-5A-PS-ED-M1
Delay range:	10 nsec to 40 nsec. Controlled by 0 to +10V applied to delay terminal ( $R_{IN} > 10K$ ) or by one turn control
PRF range:	0 to 50 MHz
Jitter:	+10 psec
Input PW:	Must be at least 5 nsec greater than desired delay and less than one half of the PRF period
Output PW:	10 nsec TTL. Will drive 50 ohms
Signal amplitudes:	TTL levels. Outputs will drive 50 ohm loads
Power requirements:	120/240V, 50-60 Hz
Connectors:	BNC

## DELAY TEST ARRANGEMENT

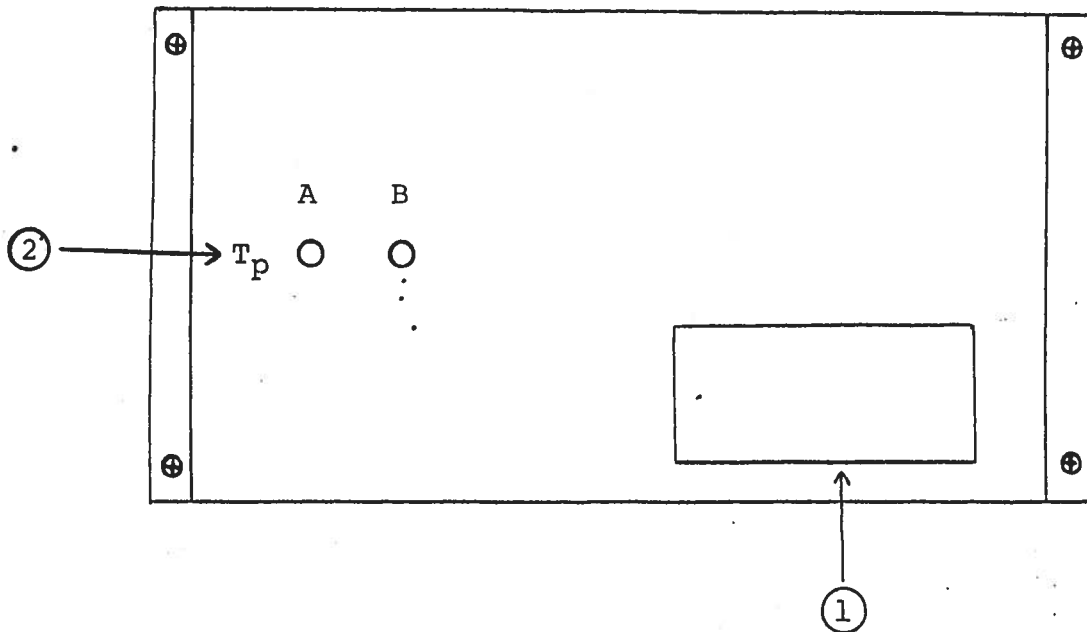


AVX-D-5A-PS FRONT PANEL



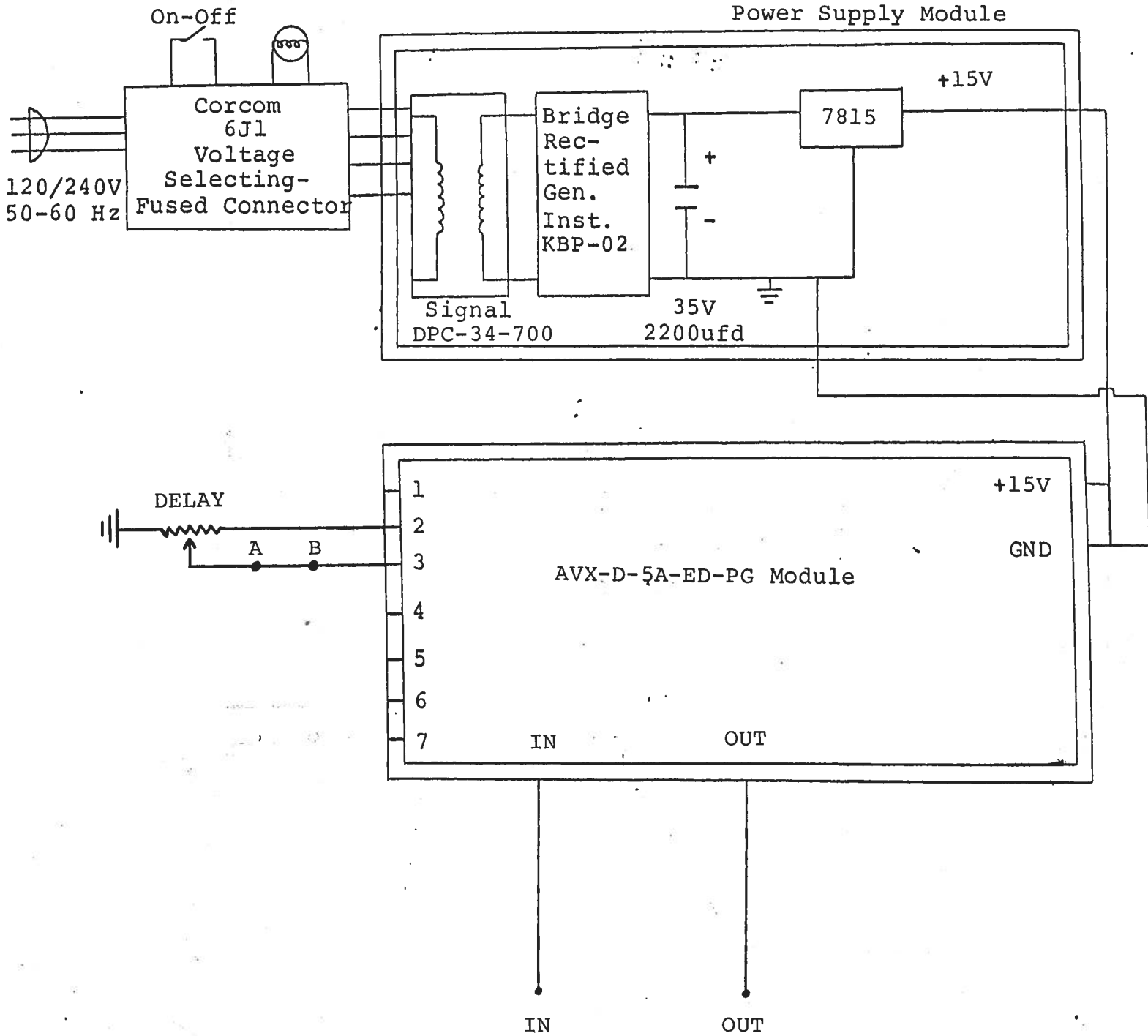
- ① ON-OFF Switch. Applies prime power to all stages.
- ② IN. BNC input trigger connector TTL level, PW 5 nsec wider than max desired delay and less than one half PRF period.
- ③ OUT. BNC output connector TTL level, will drive 50 ohms. PW fixed at 10 nsec.
- ④ DELAY. One turn control varies delay from 10 to 40 nsec.

## BACK PANEL CONTROLS



- ① FUSED CONNECTOR, VOLTAGE SELECTOR. The detachable power cord is connected at this point. In addition, the removable cord is adjusted to select the desired input operating voltage. The unit also contains the main power fuse.
- ② DELAY Control. To voltage control the propagation delay, remove the jumper wire between banana plugs A and B and apply 0 to +10 volts to connector B ( $R_{IN} > 10K$ ). (option).

SYSTEM BLOCK DIAGRAM



Schroff

10.29.85