



AVTECH ELECTROSYSTEMS LTD.

NANOSECOND WAVEFORM ELECTRONICS
SINCE 1975

□ P.O. BOX 265
OGDENSBURG, NY
U.S.A. 13669-0265
TEL: (315) 472-5270
FAX: (613) 226-2802

TEL: 1-800-265-6681
FAX: 1-800-561-1970

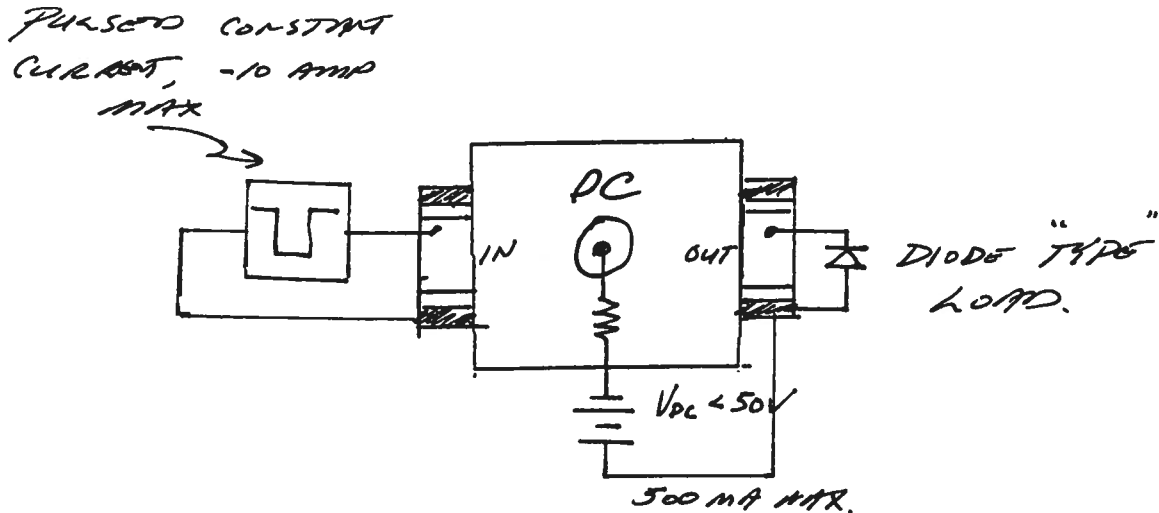
e-mail: info@avtechpulse.com
<http://www.avtechpulse.com>

□ P.O. BOX 5120 STN. F
OTTAWA, ONTARIO
CANADA K2C 3H4
TEL: (613) 226-5772
FAX: (613) 226-2802

MODEL AVX-S4-PSI

INSTRUCTIONS

- 1) Connect the pulse source, CW source and load as shown below. Note : negative polarities are required and no output will be obtained if positive polarities are employed. Slowly increase the amplitudes (From 0) to confirm the expected output is obtained.





AVTECH ELECTROSYSTEMS LTD.

NANOSECOND WAVEFORM ELECTRONICS
SINCE 1975

□ P.O. BOX 265
OGDENSBURG, NY
U.S.A. 13669-0265
TEL: (315) 472-5270
FAX: (613) 226-2802

TEL: 1-800-265-6681
FAX: 1-800-561-1970

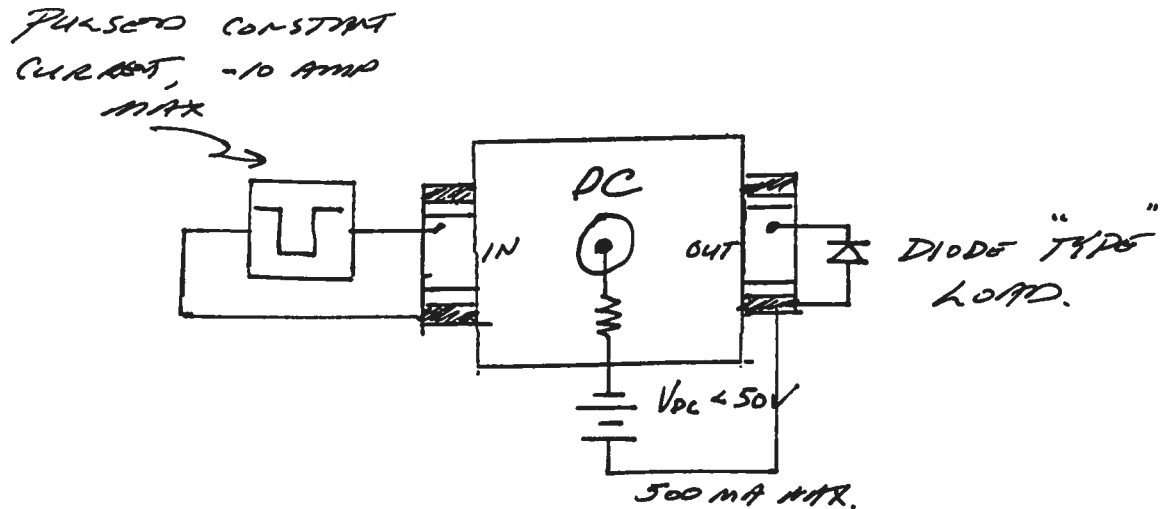
e-mail: info@avtechpulse.com
<http://www.avtechpulse.com>

□ P.O. BOX 5120 STN. F
OTTAWA, ONTARIO
CANADA K2C 3H4
TEL: (613) 226-5772
FAX: (613) 226-2802

MODEL AVX-S4-PSI

INSTRUCTIONS

- 1) Connect the pulse source, CW source and load as shown below. Note : the negative polarities are required and no output will be obtained if positive polarities are employed. Slowly increase the amplitudes (From 0) to confirm the expected output is obtained.





AVTECH ELECTROSYSTEMS LTD.

NANOSECOND WAVEFORM ELECTRONICS SINCE 1975

P.O. BOX 265 OGDENSBURG, NY U.S.A. 13669-0265 TEL: (315) 472-5270 FAX: (613) 226-2802

TEL: 1-800-265-6681 FAX: 1-800-561-1970

e-mail: info@avtechpulse.com http://www.avtechpulse.com

P.O. BOX 5120 STN. F OTTAWA, ONTARIO CANADA K2C 3H4 TEL: (613) 226-5772 FAX: (613) 226-2802

Fax Ref. No: 4267
To: Physical Sciences
Attn: Eric Wetjen
Phone: 978-689-0003
Subject: Quotation

From: Avtech Electrosystems Ltd.
Our Fax No: (613) 226-2802
Date: January 15, 1999
Receivers Fax No: 978-689-3232
No. of pages: 3
C.C.

Following our telephone conversation of January 14, 1999, I am pleased to offer a quotation for a special purpose offset insertion unit meeting the following specifications :

Quote No: 9119.
Model number: AVX-S4-PS1
Pulse Input : 0 to 10 AMPS, 50ns. Solder connect to microstrip PCB input
DC Input : 0 to +500 mA applied to solder terminal (OR SLOW RAMP)
Output : Solder Connect to Microstrip PCB
Size : 0.9' x 1.1' X1.45' (See enclosed sketch)
Price: \$248.00 US
Delivery: 3 Weeks.
Caution :

We will not be able to thoroughly test this unit at our site so it is a no return item and our standard warranty does not apply.

I checked PCB 25

10 AMPS

500 mA

Please do not hesitate to contact me if you require any additional information and Thank-you again for your interest in our products.

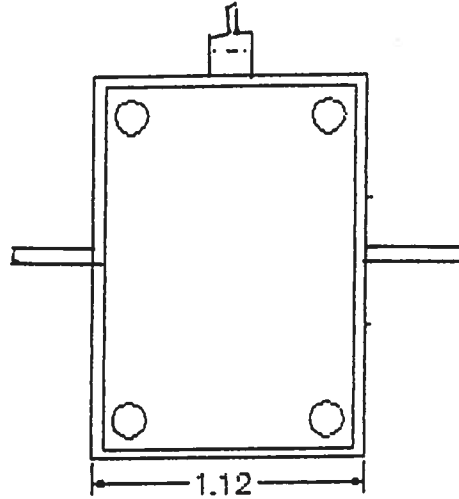
Regards,

A handwritten signature in black ink, appearing to read 'W. Chudobiak', written in a cursive style.

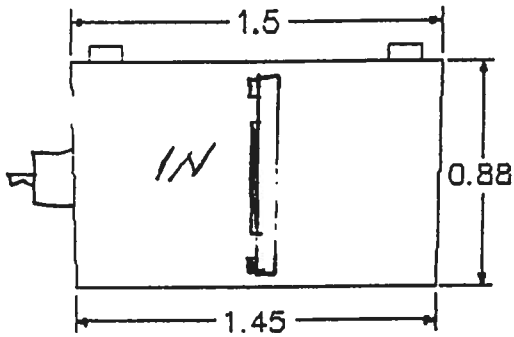
Dr. Walter Chudobiak
Chief Engineer

WC:sh

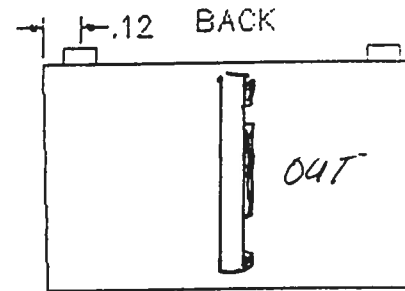
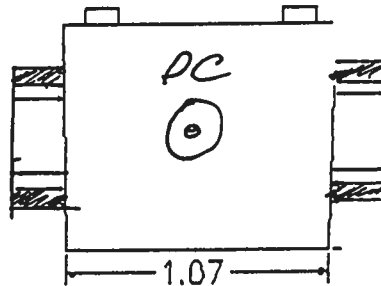
Avtech Model AVX-54-PS /



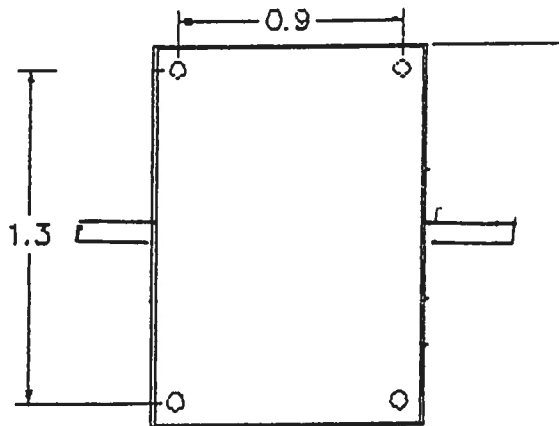
FRONT



SIDE



BOTTOM



Notes:

1. Dimensions are in inches.
2. The four holes on the bottom face are 2-56 tapped.
3. SMA connectors are OSM model 215.
4. Chassis: Pomona model 3753.

AUX-S4\AUX-SA PSI .doc

Feb 26/99