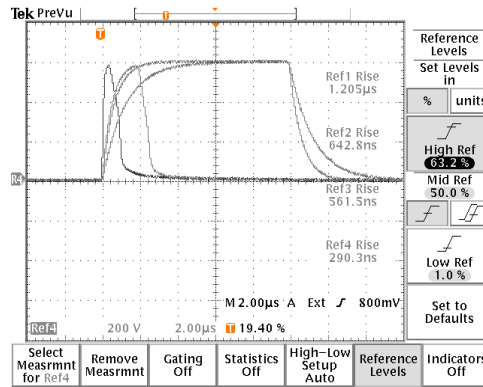


+400V pulse across a Fairchild MOC3052M at different dV/dt. Even at the maximum dV/dt of 2164 V/us, no breakdown occurs.

- Pulses up to +1000V or -1000V
- Adjustable rise times



+600V pulse across a Fairchild MOC3052M at different dV/dt. Breakdown starts around dV/dt = 590 V/us.

- dV/dt to 2 kV/us at 400V
- Ideal for phototriac tests

Model AVR-DV1-B is a high performance, GPIB and RS232-equipped test system designed to produce waveforms suitable for phototriac dV/dt test requirements.

More specifically, the AVR-DV1-B mainframe generates a 200 ns to 200 us pulse with amplitude adjustable up to +1000V or -1000V. The rise and fall times of this pulse are < 100 ns. This pulse is applied to the supplied test fixture. An adjustable series resistance and a fixed capacitance are present in the test fixture. Together with the 50 Ohm output impedance in the mainframe, these generate a low-pass filter. The resulting 1%-63.2% rise time ("T") is <125 ns to > 1.1 us, approximately. Units with the -FTR option have enhanced faster minimum rise times (see the table on the next page).

By varying "T", different dV/dt rates can be obtained. Normally, the user will set the amplitude to a specific value, and increase the dV/dt value until the device under test (a phototriac) triggers, causing the voltage across the DUT to fall to zero.

The AVR-DV1-B model includes one AVX-DVDT-EVC test jig. The instrument mainframe is connected to the test jig using one coaxial cable and one DB-9 control cable. The test jig contains a ZIF socket

suitable for a 6 pin DIP. The test jig has a hinged lid, which must be fully closed to protect the user from high voltages. The output will be automatically disabled if the lid is left open.

The AVR-DV1-B must be used in conjunction with a high-voltage oscilloscope probe (preferably with a BNC input connector) and an oscilloscope.

The AVR-DV1-B includes an internal trigger source, but it can also be triggered or gated by an external source. A front-panel pushbutton can also be used to trigger the instrument.

The AVR-DV1-B features front panel keyboard and adjust knob control of the output pulse parameters along with a four line by 40-character backlit LCD display of the output amplitude, pulse repetition frequency, and delay. The instrument includes memory to store up to four complete instrument setups. The operator may use the front panel or the computer interface to store a complete "snapshot" of all key instrument settings, and recall this setup at a later time.

The "T" rise time is controlled by a mechanical potentiometer. It is not remotely-controllable.

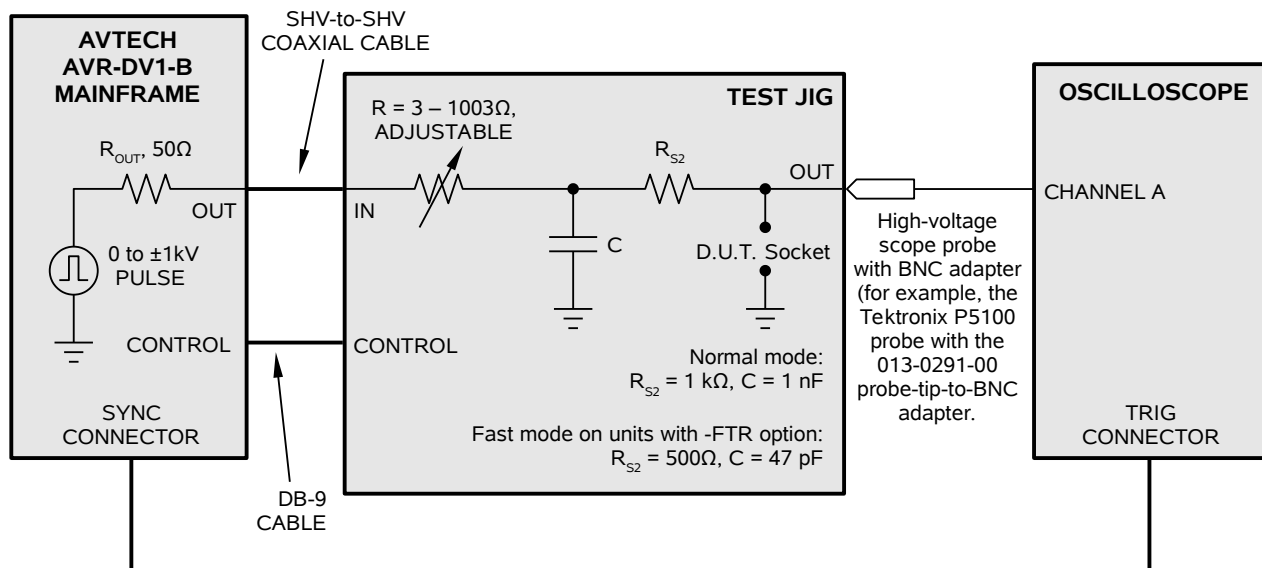
Contact Avtech (info@avtechpulse.com) with your special test requirements!

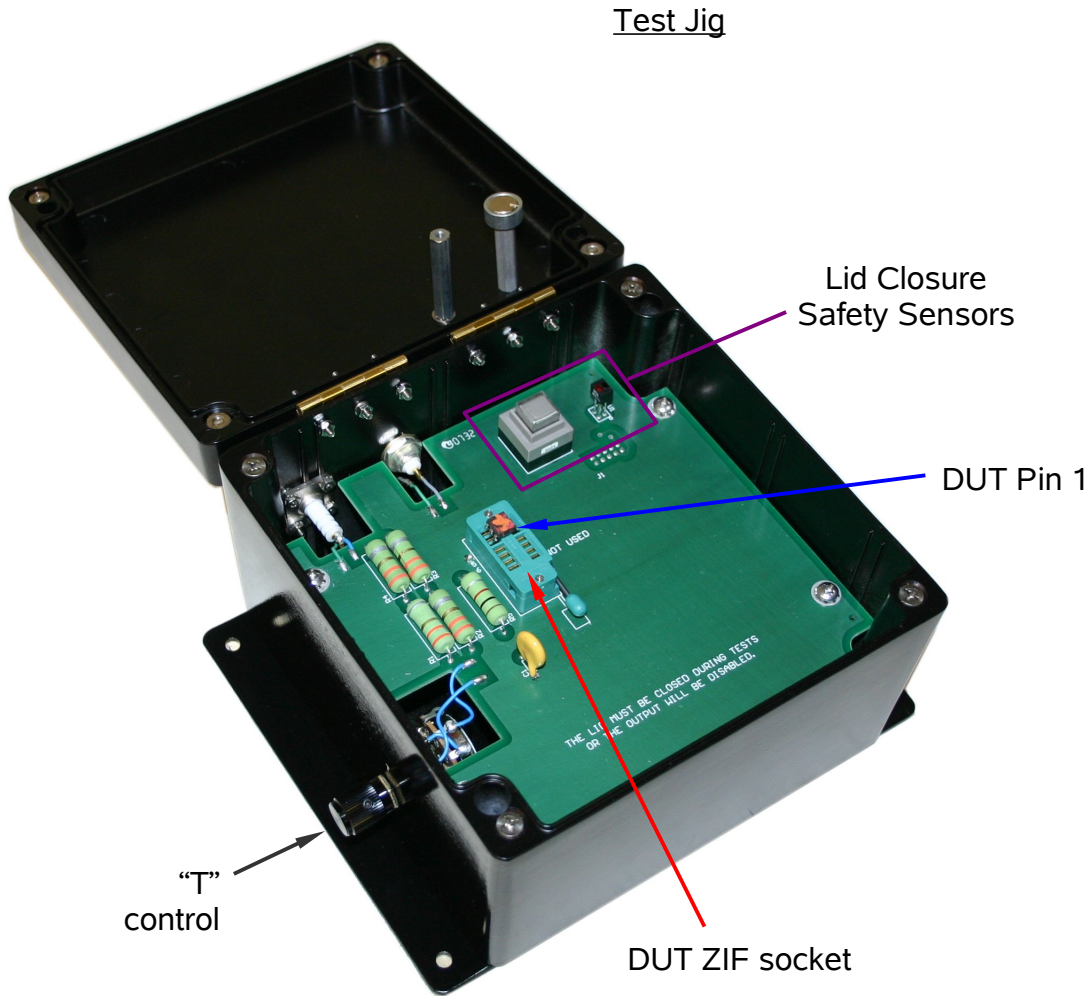


AVR-DV1-B Mainframe

Model:	AVR-DV1-B	AVR-DV1-B-FTR
Amplitude:	< 25 to 1000 Volts (into an open circuit)	
Output impedance:	50 Ohms (at mainframe output)	
Minimum and maximum rise & fall times (1%-63.2% measured with no DUT installed in the test jig), with corresponding dV/dt rates ² :	$T_{MIN} \leq 125 \text{ ns at } 400\text{V (} 2.02 \text{ kV/us at } 400\text{V)}$ $T_{MIN} \leq 125 \text{ ns at } 600\text{V (} 3.03 \text{ kV/us at } 600\text{V)}$ $T_{MIN} \leq 125 \text{ ns at } 800\text{V (} 4.04 \text{ kV/us at } 800\text{V)}$ $T_{MIN} \leq 125 \text{ ns at } 1000\text{V (} 5.06 \text{ kV/us at } 1000\text{V)}$	$T_{MIN} \leq 16.8 \text{ ns at } 400\text{V (} 15.0 \text{ kV/us at } 400\text{V)}$ $T_{MIN} \leq 19 \text{ ns at } 600\text{V (} 20.0 \text{ kV/us at } 600\text{V)}$ $T_{MIN} \leq 22 \text{ ns at } 800\text{V (} 23.0 \text{ kV/us at } 800\text{V)}$ $T_{MIN} \leq 25 \text{ ns at } 1000\text{V (} 25.3 \text{ kV/us at } 1000\text{V)}$
	$T_{MAX} \geq 1.1 \text{ us at } 400\text{V (} 0.23 \text{ kV/us at } 400\text{V)}$ $T_{MAX} \geq 1.1 \text{ us at } 600\text{V (} 0.34 \text{ kV/us at } 600\text{V)}$ $T_{MAX} \geq 1.1 \text{ us at } 800\text{V (} 0.46 \text{ kV/us at } 800\text{V)}$ $T_{MAX} \geq 1.1 \text{ us at } 1000\text{V (} 0.57 \text{ kV/us at } 1000\text{V)}$	
Pulse width (FWHM) ¹ :	200 ns to 200 us	
Maximum PRF:	1 kHz	
Duty cycle (max):	0.02%	
Max. droop at max. pulse width:	6%	
Polarity:	+ or -, switchable	
GPIB and RS-232 control ¹ :	Standard on -B units. See http://www.avtechpulse.com/gpib for more information.	
LabView Drivers:	Available at http://www.avtechpulse.com/labview . Note that "T" can not be remotely adjusted. It is adjusted using a one-turn mechanical potentiometer (and a two-position range switch for units with the -FTR option).	
Ethernet port, for remote control using VXI-11.3, ssh, telnet, & web:	Included. Recommended as a modern alternative to GPIB / RS-232. See http://www.avtechpulse.com/options/vxi for details.	
Settings resolution ⁴ :	The resolution of the timing parameters (pulse width, delay, period) varies, but is always better than 0.15% of (set value) + 20 ns. The amplitude resolution is < 0.1% of the maximum amplitude.	
Settings accuracy ⁴ :	Typically $\pm 3\%$ (plus $\pm 1\text{V}$ or $\pm 2 \text{ ns}$) after 10 minute warmup. For high-accuracy applications requiring traceable calibration, verify the output parameters with a calibrated oscilloscope ³ .	
Propagation delay:	$\leq 200 \text{ ns (Ext trig in to pulse out)}$	
Jitter (Ext trig in to pulse out):	$\pm 100 \text{ ps} \pm 0.03\%$ of sync delay	
Trigger modes:	Internal trigger, external trigger (TTL level pulse, > 10 ns, 1 k Ω input impedance), front-panel "Single Pulse" pushbutton, or single pulse trigger via computer command. In the external trigger mode, the pulse width may be set by the instrument, or it may be set to track the input pulse width.	
Variable delay:	Sync to main out: 0 to 1.0 seconds, for all trigger modes (including external trigger).	
Sync output:	> +3 Volts, > 50 ns, will drive 50 Ohm loads	
Gated operation:	Synchronous or asynchronous, active high or low, switchable. Suppresses triggering when active.	
Connectors, Mainframe:	OUT: SHV. Trig, Sync, Gate: BNC	
Test jig:	The test jig connects to the mainframe with a coaxial cable and a DB9 control cable (both are included). The test jig has a hinged lid. The mainframe output is disabled when the lid is open. Tests must be performed with the lid closed. The jig contains a ZIF socket suitable for a 6-pin DIP package (Anode = pin 1, Cathode = pin 2, Out = pin 6, Ground = pin 4, NC = pins 3 and 5). The clearance above the socket is > 2.5 cm (to accommodate package adapters).	
Power requirements:	100 - 240 Volts, 50 - 60 Hz	
Dimensions (H x W x D):	100 mm x 430 mm x 375 mm (3.9" x 17" x 14.8")	
Chassis material:	cast aluminum frame and handles, blue vinyl on aluminum cover plates	
Temperature range:	$+5^{\circ}\text{C}$ to $+40^{\circ}\text{C}$	

- 1) The output pulse width may also be controlled externally by applying a TTL-level trigger of the desired width to a rear-panel BNC connector ($PW_{IN} = PW_{OUT}$).
- 2) Using the formula $dV/dt = 0.632 V / T$, where V is the voltage amplitude, and T is the 1%-63.2% rise time.
- 3) These instruments are provided with a basic calibration checksheet, showing a selection of measured output parameters. These measurements are performed with equipment that is calibrated on a regular basis by a third-party ISO/IEC 17025:2005 accredited calibration laboratory. However, Avtech itself does not claim any accreditation. For applications requiring traceable performance, use a calibrated measurement system rather than relying on the accuracy of the pulse generator settings.
- 4) The rise time "T" is controlled by uncalibrated mechanical controls. For applications requiring traceable performance, use a calibrated measurement system.





The above photo also shows the location of the "T" control. This adjust the variable resistance "R", thus controlling the rise and fall times. In other words, it controls the "dt" portion of the key dV/dt ratio.

The IN, OUT, and CONTROL connectors are on the rear of the jig, below the hinges:

