



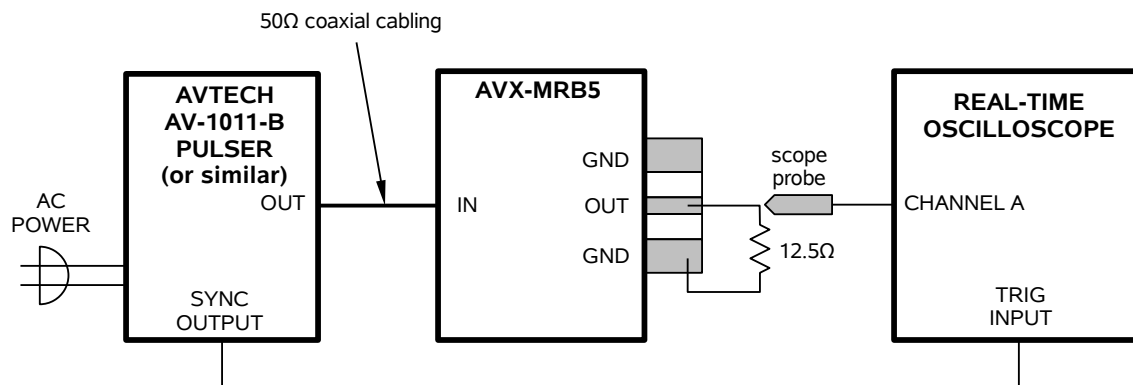
INSTRUCTIONS

MODEL AVX-MRB5

SPECIFICATIONS

Model:	AVX-MRB5
Max. voltage in	100 V
Max. voltage out	50 V
Max. current out	4 A
Function:	current-doubling
Max. pulse width:	10 us
Impedance (Ohms):	50 to 12.5
Rise time (20%-80%):	20 ns
Droop (max):	< 5%
Dimensions:	43×76×76 mm, 1.7×3.0×3.0 inches
Connectors:	In: BNC Out: 1 cm microstrip PCB ¹

USAGE



Notes:

1. The output cabling should be as short as possible (< 5 cm / 2 inches), or waveform distortions will occur due to the impedance mismatch.